

**can-am**



# OPERATOR'S GUIDE

Includes Safety, Use and Maintenance Information

2026

## **WARNING**

Read this operator's guide thoroughly. It contains important safety information.

Minimum recommended operator age: 16 or older.

Keep this operator's guide with the vehicle at all times.

## OUTLANDER AND OUTLANDER MAX ELECTRIC SERIES (T CATEGORY)

Original Instructions



#### WARNING

**YOUR VEHICLE CAN BE HAZARDOUS TO OPERATE.** A collision or rollover can occur quickly, if you fail to take proper precautions, even during routine maneuvers such as turning and driving on hills or over obstacles.

For your safety, understand and follow all the warnings contained in this operator's guide and on the labels on your vehicle. **Failure to follow these warnings can result in SEVERE INJURY OR DEATH.**

Keep this operator's guide with the vehicle at all times.



#### WARNING

This vehicle may exceed the performance of other vehicles you may have ridden in the past. Take time to familiarize yourself with your new vehicle.



#### WARNING

Disregarding any of the safety precautions and instructions contained in the Operators's Guide, SAFETY VIDEO and on product safety labels could cause injury including the possibility of death.

### Safety Messages

This operator's guide utilizes the following symbols and words to emphasize particular information:



This is the safety alert symbol. It is used to alert you to potential physical injury hazards. Obey all safety messages that follow this symbol to avoid possible injury or death.

---



**DANGER**

Indicates a potential hazard which if not avoided, will result in serious injury or death.



**WARNING**

Indicates a potential hazard which, if not avoided, could result in serious injury or death.



**CAUTION**

Indicates a hazard situation which, if not avoided, could result in minor or moderate injury.

**NOTICE**

Indicates installation, operation, or maintenance information which is important but not hazard-related. In some cases, if not followed, vehicle components or other properties could be severely damaged.

Deutsch	Dieses Handbuch ist möglicherweise in Ihrer Landessprache verfügbar. Bitte wenden Sie sich an Ihren Händler oder besuchen Sie: <a href="http://www.operatorsguides.brp.com">www.operatorsguides.brp.com</a>
English	This guide may be available in your language. Check with your dealer or go to: <a href="http://www.operatorsguides.brp.com">www.operatorsguides.brp.com</a>
Español	Es posible que este manual esté disponible en su idioma. Consulte a su distribuidor o visite: <a href="http://www.operatorsguides.brp.com">www.operatorsguides.brp.com</a>
Français	Ce guide peut être disponible dans votre langue. Vérifier avec votre concessionnaire ou aller à: <a href="http://www.operatorsguides.brp.com">www.operatorsguides.brp.com</a>
Italiano	Questa guida potrebbe essere disponibile nella propria lingua. Contattare il concessionario o consultare: <a href="http://www.operatorsguides.brp.com">www.operatorsguides.brp.com</a>
中文	本手册可能有您的语种的翻译版本。请向经销商询问，或者登录 <a href="http://www.operatorsguides.brp.com">www.operatorsguides.brp.com</a> 查询。
日本語	このガイドは、言語によって翻訳版が用意されています。ディーラーに問い合わせるか、次のアドレスでご確認ください： <a href="http://www.operatorsguides.brp.com">www.operatorsguides.brp.com</a>
Nederlands	Deze handleiding kan beschikbaar zijn in uw taal. Vraag het aan uw dealer of ga naar: <a href="http://www.operatorsguides.brp.com">www.operatorsguides.brp.com</a>
Norsk	Denne boken kan finnes tilgjengelig på ditt eget språk. Kontakt din forhandler eller gå til: <a href="http://www.operatorsguides.brp.com">www.operatorsguides.brp.com</a>
Português	Este manual pode estar disponível em seu idioma. Fale com sua concessionária ou visite o site: <a href="http://www.operatorsguides.brp.com">www.operatorsguides.brp.com</a>
Русский	Воспользуйтесь руководством на вашем языке. Узнайте о его наличии у дилера или на странице по адресу <a href="http://www.operatorsguides.brp.com">www.operatorsguides.brp.com</a>
Suomi	Käyttöohjekirja voi olla saatavissa omalla kielelläsi. Tarkista jälleenmyyjältä tai käy osoitteessa: <a href="http://www.operatorsguides.brp.com">www.operatorsguides.brp.com</a>
Svenska	Denna bok kan finnas tillgänglig på ditt språk. Kontakta din återförsäljare eller gå till: <a href="http://www.operatorsguides.brp.com">www.operatorsguides.brp.com</a>

Covered Models T Category (EU) Reg. 167/2013	
1-UP models	2-UP models
Outlander Electric	Outlander MAX Electric

---

# TABLE OF CONTENTS

---

GENERAL INFORMATION	1
SAFETY INFORMATION	2
VEHICLE INFORMATION	3
MAINTENANCE	4
TECHNICAL INFORMATION	5
TECHNICAL SPECIFICATIONS	6
PARTS CATALOG	7
TROUBLESHOOTING	8
WARRANTY	9
CUSTOMER INFORMATION	10

---



# **1** GENERAL INFORMATION - TABLE OF CONTENTS

---

<b>GENERAL INFORMATION</b> .....	<b>1-2</b>
Know Before you Go.....	1-2
About this Operator's Guide.....	1-3
Be A Responsible Rider.....	1-4
Respect of the Environment.....	1-5

---

## GENERAL INFORMATION

Congratulations on your purchase of a new Can-Am® Electric ATV. It's backed by the BRP limited warranty and a network of authorized Can-Am Off-road dealers ready to provide the parts, accessories or service you may require.

Your dealer is committed to your satisfaction. He has taken training to prepare, inspect and performed the final adjustment of your new vehicle before you took possession of it.

If you need more information concerning the servicing of your vehicle, please ask your dealer.

At delivery, you were informed of the warranty coverage and signed the Pre-delivery Check List to ensure your new vehicle was prepared to your entire satisfaction.

### Know Before you Go

To learn how to reduce the risk for you, your passenger or bystanders being injured or killed, read the following sections before you operate the vehicle:

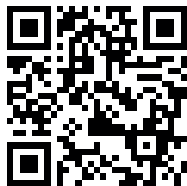
- *Safety Information*
- *Vehicle Information*

Also, read all safety labels on your vehicle, the digital safety message on the multifunction display at vehicle startup and watch the *Safety Video* located at:

**<https://can-am.brp.com/off-road/safety>**

Or use the following QR code.





### About this Operator's Guide

This Operator's Guide has been prepared to acquaint the owner/operator of a new vehicle with the various vehicle controls, maintenance and safe operating instructions. It is indispensable for the proper use of the product.

Keep this Operator's Guide in the vehicle as you can refer to it for things such as maintenance, troubleshooting and instructing others.

Note that this guide is available in several languages. In the event of any discrepancy, the English version shall prevail.

If you want to view and/or print an extra copy of your Operator's Guide, simply visit the following website:

**[www.operatorsguides.brp.com](http://www.operatorsguides.brp.com)**

The information contained in this document is correct at the time of publication. BRP, however, maintains a policy of continuous improvement of its products without imposing upon itself any obligation to install them on products previously manufactured. Due to late changes, some differences between the manufactured product and the descriptions and/or specifications in this guide may occur. BRP reserves the right at any time to discontinue or change specifications, designs, features, models or equipment without incurring any obligation upon itself.

---

This Operator's Guide should remain with the vehicle when it is sold.

## **Be A Responsible Rider**

At BRP, we believe there's an opportunity for everyone in the powersports and marine communities to come together and rethink how we approach safety, riding etiquette, and the environment. We believe that when we empower all riders to ride responsibly — to look out for each other and safeguard our trails and playgrounds — we inspire an industry to welcome newcomers, build a more caring community and generate positive experiences.

Whether you ride on trails, roads, water or snow, BRP is committed to driving positive change. That's why we're making the Responsible Rider program a key part of our Corporate Social Responsibility initiative through action, education and community empowerment.

To learn more about Responsible Rider, including tips and tricks on safety, riding etiquette and the environment, visit:

- [canamoffroad.com/responsible-rider/](https://canamoffroad.com/responsible-rider/)



### Respect of the Environment

The guidelines that we support are not designed to limit your fun, but to preserve the beautiful freedom that you can experience only with an off-road vehicle!

These guidelines will keep operators and passengers healthy, happy and able to introduce others to what they know and enjoy about their favorite pastime. So, the next time you hit the trails, we ask you to remember that you are paving the way for the future of our sport. Help us lead it down the right path! From all of us at BRP, thank you for doing your share.

There is nothing more exhilarating than off-road adventures. Venturing onto trails that cross wild areas is an exciting and healthy sport. However, as the number of people using these recreational parks increases, so does the potential for damage to the environment. Abuse of land, facilities and resources inevitably leads to restrictions and closures of both private and public land.

In essence, the greatest threat to our sport, is all around us. Which leaves us with one logical choice. We must always ride responsibly.

The vast majority respect the law and the environment. Each of us must set an example for those who are new to the sport, young and old alike.

It is in every one's best interest to tread lightly into our recreational areas. Because, in the long run, to protect the sport we must preserve the environment.

---

Recognizing the importance of this issue and the need for off-road riders to do their share in preserving areas that make it possible to enjoy our sport, BRP invite all off-road riders to remember that respecting the environment is not only critical to the future of our industry but to future generations.

You are a good ambassador for your sport when you follow the principles below.

**Become informed.** Obtain maps, regulations and other information from the Off-road clubs, the Forest Service or from other public land agencies. Learn the rules and follow them and that goes for speed limits, too!

**Avoid** running over young trees, shrubs, and grasses and don't cut wood. On flatlands or areas where trail riding is popular, it's important to ride only where authorized. Remember, there is a link between protecting your environment and your own safety.

**Respect wildlife** and be particularly sensitive of animals that are rearing young or suffering from food shortage. Stress can sap scarce energy reserves. Refrain from riding in areas where only animals are intended to tread!

**Obey** gate closures and regulatory signs and remember, light treaders don't litter!

**Stay out** of wilderness areas. They're closed to all vehicles. Know where the boundaries are.

**Obtain permission** to travel across private land. Respect the rights of landowners and other people's privacy.

Off-road riders know all too well the efforts that have been made throughout the sport's history to enjoy access to areas where people can ride safely and responsibly. This effort continues today, as strong as ever.

Respecting the areas where we ride... wherever they may be... is the principal way to ensure future enjoyment for all.

Take the opportunity to admire nature and all its wonders, is an experience cherished by off-road riders. Respect the nature and wildlife will help our sport to grow!

Finally, you don't have to leave big tracks or careen through a virgin forest to show you can ride. So whether you're driving a high performance BRP off-road vehicle or any other make or model, show you know what you're doing.

# NOTES

---

---

---

---

---

---

---

---

---

---

---

---

---

---

---

---

---

---

---

---

---

## 2 SAFETY INFORMATION - TABLE OF CONTENTS

### **BEFORE YOU GO . . . . . 2-3**

Operator Age and Ability . . . . .	2-3
Special Safety Messages . . . . .	2-4
Operation Warnings . . . . .	2-11
Riding Gear . . . . .	2-49
Hazardous Materials . . . . .	2-51

### **GET FAMILIAR WITH THE VEHICLE . . . . . 2-52**

What's Different with a Can-Am Electric ATV . . . . .	2-52
Accessories and Modifications . . . . .	2-54

### **RIDE SAFELY . . . . . 2-57**

Plan your Ride . . . . .	2-57
Riding the vehicle . . . . .	2-58
Riding Techniques . . . . .	2-65

### **SPECIAL PROCEDURES . . . . . 2-84**

Limited Power Mode . . . . .	2-84
Turned Over Vehicle . . . . .	2-84
Submerged Vehicle . . . . .	2-85
In Case of an Accident . . . . .	2-87
Emergency Response . . . . .	2-90

### **MOVING LOADS AND DOING WORK . . . . . 2-92**

Working with Your Vehicle . . . . .	2-92
Loading the Cargo Racks . . . . .	2-92
Operating While Carrying a Load . . . . .	2-93
Hauling a Load . . . . .	2-93
Pulling a Trailer . . . . .	2-94

### **LIFTING THE VEHICLE . . . . . 2-97**

### **TRANSPORTING THE VEHICLE . . . . . 2-100**

## **2 SAFETY INFORMATION - TABLE OF CONTENTS**

---

Using Vehicle Power to Climb Onto Transporting Equipment . . . . .	2-103
Using a Winch to Pull Vehicle Onto Transporting Equipment . . . . .	2-104
Securing Vehicle for Transport . . . . .	2-105
Getting Vehicle Out of Trailer . . . . .	2-106
Pushing or Pulling the Vehicle. . . . .	2-107

Pre-Ride Checklist . . . . .	2-145
------------------------------	-------

### **SAFETY INFORMATION ON THE VEHICLE . . . . . 2-108**

Important On-Product Labels (All Countries except Canada/United States) . . . . .	2-108
High-Voltage Safety Labels. . . . .	2-133
Vehicle Quick Reference Card . . . . .	2-143

### **REPORTING SAFETY DEFECTS. . . . . 2-144**

### **PRE-RIDE INSPECTION . . . . . 2-145**



## BEFORE YOU GO



### WARNING

Disregarding any of the safety precautions and instructions contained in this section could cause injury including the possibility of death.

2

### Operator Age and Ability

This vehicle is a category G, always follow this age recommendation:

- A person under 16 years old should never operate this vehicle.
- Passenger on 2-UP models must be capable of keeping his feet on the footrests and his hands on grab handles at all times when seated on this vehicle.

Never operate this vehicle without proper instruction. **Take a training course.** All operators should receive training from a certified instructor.

For more information about ATV safety, contact an authorized Can-Am Off-road dealer to find out about available training courses nearest you.

In the United States, call the Specialty Vehicle Institute of America (SVIA) at 1 800 887-2887 or in Canada, the Canada Safety Council (CSC) at 1 613 739-1535.

---

## Special Safety Messages

### **THIS VEHICLE IS NOT A TOY AND CAN BE HAZARDOUS TO OPERATE.**

- This vehicle handles differently from other vehicles including motorcycles and cars. A collision or rollover can occur quickly, if you fail to take proper precautions, even during routine maneuvers such as turning and driving on hills or over obstacles.

**SEVERE INJURY OR DEATH** can result if you do not comply with the following instructions:

- Read this Operator's Guide and all on-product safety labels carefully and follow the operating procedures described. Watch and pay attention to the safety video before operating the vehicle.
- Always follow this age recommendation: A person under 16 years old should never operate this vehicle.
- Never take place on this vehicle without wearing an approved helmet of the proper size and other required riding gears. Refer to [Riding Gear, page 2-49](#) for detailed information.
- Always inspect and confirm the safe operating condition of your vehicle prior to ride. Refer to [Pre-Ride Inspection, page 2-145](#). Always follow the maintenance schedules as described in this Operator's

Guide. Refer to [Maintenance Schedule, page 4-6](#).

- On 1-UP models, do not make any modifications to accommodate a passenger or use racks to carry a passenger.
- Never carry a passenger on this vehicle unless you are operating a 2-UP model. Passenger(s) affect balance and steering and increase risk of losing control.
- Never operate this ATV after using drugs or alcohol, when tired or ill. This must be applied also to the passenger (if applicable). Your reaction time and judgement is greatly affected under these conditions. Always operate your ATV prudently.
- Never attempt wheelies, jumps, or other stunts.
- Never operate at excessive speeds. Always go at a speed that is proper for the terrain, visibility, and operating conditions, and your experience.
- Always go slowly and be extra careful when operating on unfamiliar terrain. Always be alert to changing terrain conditions when operating this vehicle.
- Never operate on excessively rough, slippery or loose terrain until you have learned and practiced the skills necessary to control this vehicle on such terrain. Always be especially cautious on these kinds of terrain.
- Always follow proper procedures for turning as described in [Turning Improperly, page 2-29](#).
- Never operate this vehicle on hills too steep for the vehicle or for your abilities.
- Always follow proper procedures for climbing hills as described in [Climbing Hills, page 2-31](#). Check the terrain carefully before you

- 
- start up any hill. Never climb hills with excessively slippery or loose surfaces.
- Always follow proper procedures for going down hills and for braking on hills as described in [Down a Hill, page 2-33](#). Check the terrain carefully before you start down any hill.
  - Always follow proper procedures for crossing the side of a hill as described in [Crossing or Turning on Hills, page 2-35](#). Avoid hills with excessively slippery or loose surfaces.
  - Always use proper procedures if you stall or roll backwards when climbing a hill. To avoid stalling, use low gear and maintain a steady speed when climbing a hill. If you stall or roll backwards, follow the driving technique procedures as described in [Stalling, Rolling Backwards or Dismounting While Climbing a Hill, page 2-37](#).
- Always check for obstacles before operating in a new area. Never attempt to operate over large obstacles, such as large rocks or fallen trees. Always follow proper procedures when operating over obstacles as described in [Operating Over Obstacles, page 2-39](#).
  - Always be careful when skidding or sliding. Learn to safely control skidding or sliding by practicing at low speeds and on level smooth terrain. On extremely slippery surfaces, such as ice, go slowly and be very cautious in order to reduce the chance of skidding out of control. If you are operating a 2-UP model and have a passenger on-board, never attempt skidding or sliding; overturn or passenger ejection may occur.
  - Always be sure there are no obstacles or people behind the vehicle when you operate in reverse. When it is safe to proceed in reverse, go slowly. Take into account that on

- a 2-UP model the passenger can obstruct your view.
- Never exceed the stated load limits for this vehicle including operator, passenger (2-UP models), all other loads and added accessories. Cargo should be properly distributed and securely attached. Reduce speed and follow instructions in this guide for carrying cargo or pulling a trailer. Allow greater distance for braking.
- This vehicle is not designed for jumping, nor can it fully absorb the high impact energy generated during manoeuvres such as jumping which, can be passed on to you, the operator. Performing wheelies can cause the vehicle to flip over onto you. Both practices have a high risk for you and your passenger (2-UP models) and should be avoided at all times.
- Never operate this vehicle through deep or fast flowing water. Water should never exceed the center of the wheels. Remember that wet brakes may have reduced stopping ability. Test your brakes after leaving water, mud or snow. If necessary, apply them several times to let friction dry out the pads. Your vehicle is designed to withstand wet conditions, including rainfall or puddles. However, long-term submersion (floods, saltwater) of the vehicle can cause damage or render the vehicle temporarily inoperable. If the vehicle is submerged, stop using the vehicle. The vehicle should be inspected by an authorized BRP dealer prior to the next ride. Contact local emergency service for immediate assistance if any signs of a thermal event occur.
- Always keep in mind that braking distance is readily affected by but not limited to; weather and terrain conditions, braking system and

---

tire conditions, vehicle speed and attitude, and vehicle load including towing. Remember to adjust your driving accordingly.

- BRP recommends sitting on your ATV when operating in reverse. Avoid standing up. Your weight could shift forward against accelerator lever, causing an unexpected acceleration and may lead to a loss of control.
- Never operate the vehicle if the controls do not function normally.
- Always maintain proper tire pressure. When replacing tires, use only the recommended tire size and type. For tire information, refer to [6 Technical Specifications, page 6-2](#) in this guide.
- Riding your vehicle too fast for your skills or the conditions may result in injury. Apply the acceleration lever only enough to proceed safely. Statistics show that mishaps and injury usually result from high speed turns. Always

remember that this vehicle is heavy! Its pure weight alone may entrap you should it fall resulting in injury.

- Never modify this vehicle through improper installation or use of accessories. Only use BRP's approved accessories.
- Never exceed the stated load limits for this vehicle including operator, all other loads and added accessories. Cargo should be properly distributed and securely attached. Reduce speed and follow instructions in this manual for carrying cargo or pulling a trailer. Allow greater distance for braking.

### 2-UP Models – Driver's Responsibilities

#### Driver must:

- Not forget is responsible for the safety of the passenger.
  - Inform the passenger concerning the basic rules for a safe ride.
  - Instruct the passenger to read the vehicle's safety labels and to watch the *safety video*.
  - Always practice the maneuvers described in this Operator's Guide without and with a passenger. Greater skills are required with a passenger.
  - Always remember that the vehicle handling and stability may be affected when riding with a passenger. Safely reduce speed. Use proper judgement. If in doubt, do not attempt and disembark the passenger before executing any maneuver.
- Always remember that the vehicle braking distance may be longer when riding with a passenger. Allow greater distance for braking.
  - Never carry passenger on a 2-UP model if the passenger seat is not properly installed.
  - Never carry more than one (1) passenger. Do not allow passenger to sit anywhere else than the designated passenger's seat.
  - Never carry a passenger if you judge his ability or judgement insufficient to concentrate on the terrain conditions and adapt accordingly.
  - Never carry a passenger who has used drugs or alcohol, or is tired or ill. These slow reaction time and impair judgment.

---

## **2-UP Models – Passenger's Responsibility**

### **Passenger must:**

- Be capable of resting his feet on the footrests and his hands on grab handles when seated on this vehicle.
  - Never take place on this vehicle without wearing an approved helmet (including a chin guard) that fits properly. The passenger should also wear eye protection (goggles or face shield), gloves, boots, long sleeved shirt or jacket, and long pants.
  - Be seated on the designated passenger's seat.
  - Always keep hands on grab handles and feet on the footrests during operation. Never hold on to the operator.
- Never get up during vehicle operation. An excessive movement could cause loss of control.
  - Pay attention to vehicle and operator movements.
  - Don't hesitate and tell the driver to slow down or stop if you feel uncomfortable or insecure for any reason.



### European Community

#### On-Road Use

The following warning applies only in the European Countries where on-road usage is allowed.

**SEVERE INJURY OR DEATH** can result if you do not comply with the following instructions.



- This vehicle is built for Off-road purpose only. It may be used for short distances on paved surfaces at reduced speed, in order to move the vehicle from an off-road location to another.
- Always refrain from speeding and substantially reduce vehicle speed when turning.
- Always respect the road traffic laws, even on a dirt or gravel road.
- Always use any other equipment as required by traffic law for slow moving vehicle.

2

### Operation Warnings

The following warning and their format have been requested by the United States Consumer Product Safety Commission and are required to be in the Operator's Guide for all ATVs.

---

The following illustrations are general representations only. Your model may differ.

## Operating Vehicle Without Proper Instruction



### POTENTIAL HAZARD

Operating this vehicle without proper instruction.

### WHAT CAN HAPPEN

The risk of an accident is greatly increased if the operator does not know how to operate this vehicle properly in different situations and on different types of terrain.

### HOW TO AVOID THE HAZARD

Beginners and inexperienced operators should complete a training course. They should then regularly practice the skills learned during the course as well as the operating techniques described in this Operator's Guide.

For more information about a training course, contact an authorized Can-Am dealer.

## Age Recommendations



### POTENTIAL HAZARD

Failure to follow the age recommendations for this vehicle.

### WHAT CAN HAPPEN

A lack of respect for this age recommendation can lead to severe injury or death of the child.

Even though a child may be within the age group for which this vehicle is recommended, he may not have the skills, abilities, or judgment needed to operate this vehicle safely and may be involved in a serious accident.

### HOW TO AVOID THE HAZARD

No one under 16 should operate this vehicle.

## Physical Limitations of the Passenger



### POTENTIAL HAZARD

Failure to respect the physical limitations of the passenger on 2-UP models.

### WHAT CAN HAPPEN

A passenger that cannot completely lean his feet on footrests can be ejected when riding on uneven terrain.

### HOW TO AVOID THE HAZARD

The passenger must be capable of keeping his feet on the footrests and his hands on grab handles at all times when he is seated on the vehicle.

## Carrying a Passenger

 **WARNING**



### POTENTIAL HAZARD

Carrying a passenger on this vehicle.

### WHAT CAN HAPPEN

Greatly reduces your ability to balance and control this vehicle.  
Could cause an accident, resulting in harm to you and/or your passenger.

### HOW TO AVOID THE HAZARD

Never carry passenger. Even with a long seat that provides unrestricted operator movement, it is not designed nor intended to carry passenger(s).

## Carrying More than One (1) Passenger

### WARNING



#### POTENTIAL HAZARD

Carrying more than one (1) passenger on this vehicle.

#### WHAT CAN HAPPEN

Carrying more than one (1) passenger reduces your ability to balance and control this vehicle.

Could cause an accident, resulting in harm to you and/or your passengers.

#### HOW TO AVOID THE HAZARD

Never carry more than one (1) passenger. Even with a long seat that provides unrestricted operator movement, the vehicle is not designed nor intended to carry more than one (1) operator and one (1) passenger. The passenger must use the designated passenger's seat when he is seated on the vehicle with feet firmly planted on footrests and always hold on to the grab handles.

## Passenger(s) to sit on Front or Rear Racks



V09A2DD

### POTENTIAL HAZARD

Allowing passenger(s) to sit on front or rear racks on this vehicle.

### WHAT CAN HAPPEN

Allowing a passenger could:

- Impair vehicle stability which could lead to a loss of control.
- Result in injury to passenger(s) from impact on hard surfaces.
- Cause an accident, resulting in harm to you and/or your passenger(s).

### HOW TO AVOID THE HAZARD

Never allow any passenger to sit on front or rear racks on this vehicle.



## Vehicle on Paved Surfaces

### WARNING



#### POTENTIAL HAZARD

Operating this vehicle on paved surfaces.

#### WHAT CAN HAPPEN

Paved surfaces may seriously affect handling and control of the vehicle, and may cause the vehicle to go out of control.

#### HOW TO AVOID THE HAZARD

If a road usage is allowed in your area, operate your vehicle on paved surfaces only for short distance and for the only purpose of moving the vehicle from an off-road usage to another.

Always operate your vehicle at low speed (never exceed 40 km/h (25 MPH) and reduce the speed before making a turn.

Always respect all road traffic laws when operating your vehicle on public roads or streets.

## Riding Without Protective Gear



### POTENTIAL HAZARD

Riding this vehicle without wearing an approved helmet, eye protection and protective gear. On 2-UP models, passenger should also have an approved helmet with a chin guard.

### WHAT CAN HAPPEN

- Riding without an approved helmet increases the chances of a severe head injury or death in the event of an accident.
- Riding without eye protection can result in an accident and increases the chances of a severe injury in the event of an accident.
- Riding without protective gear increases the chances of severe injury in the event of an accident.

### HOW TO AVOID THE HAZARD

Always wear an approved helmet that fits properly. You should also wear:

- Eye protection (goggles or face shield)

- Rigid chin guard
- Gloves and boots
- Long sleeved shirt or jacket
- Long pants.

## Drugs or Alcohol

### WARNING



#### POTENTIAL HAZARD

Using this vehicle with drugs or alcohol.

#### WHAT CAN HAPPEN

Could cause the passenger to fall off (2-UP models).

Could seriously affect your judgment.

Could cause you to react more slowly.

Could affect your balance and perception.

Could result in an accident or death.

#### HOW TO AVOID THE HAZARD

The operator and the passenger (2-UP models) should never use this vehicle with drugs or alcohol.

## Excessive Speeds

**2**

### POTENTIAL HAZARD

Operating this vehicle at excessive speeds.

### WHAT CAN HAPPEN

Increases your chances of losing control of the vehicle, which can result in an accident.

### HOW TO AVOID THE HAZARD

Always travel at a speed which is appropriate for the terrain, visibility and operating conditions, and your experience.

On 2-UP models, the vehicle handling, stability and braking distance may be affected when riding with a passenger. Safely reduce speed when riding with a passenger. Allow greater distance for braking.

## Wheelies, Jumps and Other Stunts

 **WARNING**



### POTENTIAL HAZARD

Attempting wheelies, jumps and other stunts.

### WHAT CAN HAPPEN

Increases the chance of an accident, including an overturn.

### HOW TO AVOID THE HAZARD

Never attempt stunts, such as wheelies or jumps. Do not try to show off.

## Vehicle Inspection

 WARNING

### POTENTIAL HAZARD

Failure to inspect the vehicle before operating.

Failure to properly maintain the vehicle.

### WHAT CAN HAPPEN

Increases the possibility of an accident or equipment damage.

### HOW TO AVOID THE HAZARD

Always inspect your vehicle prior to ride to make sure the vehicle is in safe operating condition.

Always follow the maintenance schedule described in this Operator's Guide.

## Frozen Waterways

 WARNING

### POTENTIAL HAZARD

Riding on frozen waterways.

### WHAT CAN HAPPEN

Breaking through the ice can lead to severe injury or death.

### HOW TO AVOID THE HAZARD

Never ride this vehicle on a frozen surface before you are sure the ice is thick enough and sound enough to support the vehicle and its load, as well as the force that is created by a moving vehicle.

## Proper Position on the Vehicle

### WARNING



#### POTENTIAL HAZARD

Removing hands from handlebars for the operator and from grab handles for the passenger (2-UP models), or feet from the footrests during operation.

#### WHAT CAN HAPPEN

Removing even one hand or foot can reduce your ability to control the vehicle or could cause you to lose your balance and fall off the vehicle. If you remove a foot from the footrests, your foot or leg may come into contact with the rear wheels, which could injure you or cause an accident.

#### HOW TO AVOID THE HAZARD

Operator must always keep both hands on the handlebars and passenger (2-UP models) on grab handles. Both feet (operator and passenger on 2-UP models) must rest on the footrests during vehicle operation.



## Unfamiliar Terrain

### WARNING



#### POTENTIAL HAZARD

Failure to use extra care when operating this vehicle on unfamiliar terrain.

#### WHAT CAN HAPPEN

You can come upon hidden rocks, bumps, or holes, without enough time to react.

Could result in the vehicle overturning, passenger ejection (2-UP models) or loss of control.

#### HOW TO AVOID THE HAZARD

Go slowly and be extra careful when operating on unfamiliar terrain. Always be alert to changing terrain conditions when operating the vehicle. Do not forget, on 2-UP models, the operator is responsible for the safety of his passenger. Safely reduce speed when riding with a passenger.

## Operating on Excessively Rough, Slippery or Loose Terrain



### POTENTIAL HAZARD

Failure to use extra care when operating on excessively rough, slippery or loose terrain.

### WHAT CAN HAPPEN

Could cause loss of traction or vehicle control, which could result in an accident, including an overturn or passenger ejection (2-UP models).

### HOW TO AVOID THE HAZARD

Do not operate on excessively rough, slippery or loose terrain until you have learned and practiced the skills necessary to control this vehicle on such terrain.

Always be especially cautious on these kinds of terrain.

Do not forget, on 2-UP models, the operator is responsible for the safety of the passenger. In doubt, disembark him before operating on these terrains.

## Turning Improperly

### WARNING



#### POTENTIAL HAZARD

Turning improperly.

#### WHAT CAN HAPPEN

Vehicle could go out of control, causing a collision or an overturn or a passenger ejection (2-UP models).

#### HOW TO AVOID THE HAZARD

Always follow proper procedures for turning as described in this Operator's Guide. Practice turning at low speeds before attempting to turn at faster speeds.

Do not forget, on 2-UP models, the operator is responsible for the safety of the passenger. Never perform this maneuver with a passenger. Always remember that the vehicle handling, stability and braking distance may be affected when riding with a passenger.

Do not turn at excessive speed.

## Excessively Steep Hills



### POTENTIAL HAZARD

Operating on excessively steep hills.

### WHAT CAN HAPPEN

The vehicle can overturn more easily on extremely steep hills than on level surfaces or small hills.

### HOW TO AVOID THE HAZARD

Never operate this vehicle on hills too steep for the vehicle or for your abilities.

Practice, without and with passenger (2-UP models), on smaller hills before attempting larger hills.

Always remember that, on 2-UP models, even if this vehicle can climb some steep hills, it is not recommended to climb such hills with a passenger; always disembark him before attempting this maneuver. Show good judgement.

## Climbing Hills

### WARNING



#### POTENTIAL HAZARD

Climbing hills improperly.

#### WHAT CAN HAPPEN

Could cause loss of control, passenger ejection (2-UP models) or cause vehicle to overturn.

#### HOW TO AVOID THE HAZARD

Always follow proper procedures for climbing hills as described in this Operator's Guide.

Always check the terrain carefully before you start up any hill. Do not forget, on 2-UP models, the operator is responsible for the safety of the passenger. In doubt, disembark him before climbing hill. Always remember that the vehicle handling, stability and braking distance may be affected when riding with a passenger.

Never climb hills with excessively slippery or loose surfaces.

Shift your weight forward (operator and passenger on 2-UP models).

---

Never press the accelerator lever suddenly or make sudden gear changes.  
The vehicle could flip over backwards.

Never go over the top of any hill at high speed. An obstacle, a sharp drop,  
or another vehicle or person could be on the other side of the hill.

## Down a Hill

### WARNING



#### POTENTIAL HAZARD

Going down a hill improperly.

#### WHAT CAN HAPPEN

Could cause loss of control, passenger ejection (2-UP models) or cause vehicle to overturn.

#### HOW TO AVOID THE HAZARD

Always follow proper procedures for going down hills as described in this Operator's Guide.

#### NOTE

A special technique is required when braking as you go down a hill.

---

Always check the terrain carefully before you start down any hill. Do not forget, on 2-UP models, the operator is responsible for the safety of the passenger. In doubt, disembark him before going down hill. Always remember that the vehicle handling, stability and braking distance may be affected when riding with a passenger.

Shift your weight backward (operator and passenger on 2-UP models).

Never go down a hill at high speed.

Avoid going down a hill at an angle which would cause the vehicle to lean sharply to one side. Go straight down the hill where possible.



## Crossing or Turning on Hills

### WARNING



#### POTENTIAL HAZARD

Improperly crossing hills or turning on hills.

#### WHAT CAN HAPPEN

Could cause loss of control, passenger ejection (2-UP models) or cause vehicle to overturn.

#### HOW TO AVOID THE HAZARD

Never attempt this maneuver on 2-UP models when the passenger is on board. Always disembark him before executing.

Never attempt to turn the vehicle around on any hill until you have mastered the turning technique as described in this Operator's Guide on level ground. Be very careful when turning on any hill.

Avoid crossing the side of a steep hill if possible.

#### **When crossing the side of a hill:**

Always follow proper procedures as described further in this Operator's Guide.

---

Avoid hills with excessively slippery or loose surfaces.  
Operator and passenger (2-UP models) must shift weight to the uphill side  
of the vehicle.

## Stalling, Rolling Backwards or Dismounting While Climbing a Hill

### WARNING



#### POTENTIAL HAZARD

Stalling, rolling backwards or improperly dismounting while climbing a hill.

#### WHAT CAN HAPPEN

Could result in vehicle overturning.

#### HOW TO AVOID THE HAZARD

Use low gear and maintain steady speed when climbing a hill.

#### **If you lose all forward speed:**

- Operator and passenger (2-UP models) must keep their weight uphill. Never press the accelerator suddenly or make sudden gear changes. The vehicle could flip over backwards.
- Apply the brakes.
- Apply the parking brake after you have stopped.



- Disembark on uphill side, or to a side if pointed straight uphill (passenger first on 2-UP models).

**If you begin rolling backwards:**

- Operator and passenger (2-UP models) must keep their weight uphill. Never press the accelerator suddenly or make sudden gear changes. The vehicle could flip over backwards.
- Never apply the rear brake while rolling backwards.
- Apply the front brake gradually.
- When fully stopped, apply rear brake as well and apply the parking brake.
- Disembark on uphill side, or to a side if pointed straight uphill (passenger first on 2-UP models).
- Turn the vehicle around and remount, following the procedure described further in this Operator's Guide.

## Operating Over Obstacles

### WARNING



#### POTENTIAL HAZARD

Improperly operating over obstacles.

#### WHAT CAN HAPPEN

Could cause loss of control (passenger ejection on 2-UP models), or a collision.

Could cause the vehicle to overturn.

#### HOW TO AVOID THE HAZARD

Before operating in a new area, check for obstacles.

Never attempt to ride over large obstacles, such as large rocks or fallen trees.

On 2-UP models, the operator is responsible for the safety of his passenger. In doubt, disembark him before riding over obstacles. Always remember that the vehicle handling and stability may be affected when riding with a passenger.

---

When you go over obstacles, always follow proper procedures as described in this Operator's Guide.

## Skidding or Sliding

### WARNING



#### POTENTIAL HAZARD

Skidding or sliding improperly.

#### WHAT CAN HAPPEN

You may lose control of this vehicle.

You may also regain traction unexpectedly, which may cause the vehicle to overturn or passenger ejection (2-UP models).

#### HOW TO AVOID THE HAZARD

Learn to safely control skidding or sliding by practicing at low speeds and on level smooth terrain.

On 2-UP models, never slide or skid with passenger. Always remember that the vehicle handling and stability may be affected when riding with a passenger.

On extremely slippery surfaces, such as ice, go slowly and be very cautious in order to reduce the chance of skidding or sliding out of control.

## Deep or Fast Flowing Water

### WARNING



#### POTENTIAL HAZARD

Operating this vehicle through deep or fast flowing water.

#### WHAT CAN HAPPEN

Tires may float, causing loss of traction and loss of control, which could lead to an accident.

#### HOW TO AVOID THE HAZARD

Never operate this vehicle in fast flowing water or in deep water.

Check water depth and current before you attempt to cross any water.  
Water should not go above the center of the wheels.

Remember that wet brakes may have reduced stopping ability. Test your brakes after leaving water. If necessary, apply them several times to let friction dry out the pads.



## Operating in Reverse

### WARNING



#### POTENTIAL HAZARD

Improperly operating in reverse.

#### WHAT CAN HAPPEN

You could hit an obstacle or person behind the vehicle, resulting in serious injury.

#### HOW TO AVOID THE HAZARD

When you select reverse gear, make sure there are no obstacles or people behind the vehicle. When it is safe to proceed, go slowly. On 2-UP models, take account that the passenger can obstruct your view.

## Tire Pressure

### WARNING



#### POTENTIAL HAZARD

Operating this vehicle with improper tires, or with improper or uneven tire pressure.

#### WHAT CAN HAPPEN

Use of improper tires on this vehicle, or operation of this vehicle with improper or uneven tire pressure, may cause loss of control, tire blow outs, tire to move around on its rim, and increases the risk of an accident.

#### HOW TO AVOID THE HAZARD

Always use the size and type of tires specified in this Operator's Guide for this vehicle.

Always maintain proper tire pressure as described in this Operator's Guide.

Always replace wheels or tires that are damaged.

## Improper Modifications



### POTENTIAL HAZARD

Operating this vehicle with improper modifications.

### WHAT CAN HAPPEN

Improper installation of accessories or modification of this vehicle may cause changes in handling which in some situations could lead to an accident.

### HOW TO AVOID THE HAZARD

Never modify this vehicle through improper installation or use of accessories. All parts and accessories added to this vehicle should be approved by BRP and should be installed and used according to instructions. If you have questions, consult an authorized Can-Am dealer. **NEVER** install an aftermarket passenger seat on a 1-UP models or use the racks to carry a passenger.

---

Modification of the vehicle to increase speed and performance may violate the terms and conditions of your vehicle limited warranty. In addition, modifications of high-voltage components without proper training are illegal under most laws.

## Loading, Carrying or Towing Cargo

### WARNING



#### POTENTIAL HAZARD

Overloading this vehicle, carrying or towing cargo improperly.

#### WHAT CAN HAPPEN

Could cause changes in vehicle handling which could lead to an accident.

#### HOW TO AVOID THE HAZARD

Never exceed the stated load capacity for this vehicle including operator and passenger (2-UP models) as well as other loads and added accessories.

Cargo should be properly distributed and securely attached.

Reduce speed when carrying cargo or pulling a trailer. Allow greater distance for braking.

Always follow the instructions in this Operator's Guide for carrying cargo or pulling a trailer.

## Transporting Flammable or Dangerous Material



### **POTENTIAL HAZARD**

Transporting flammable or dangerous material can lead to explosions.

### **WHAT CAN HAPPEN**

This can cause serious injury or death.

### **HOW TO AVOID THE HAZARD**

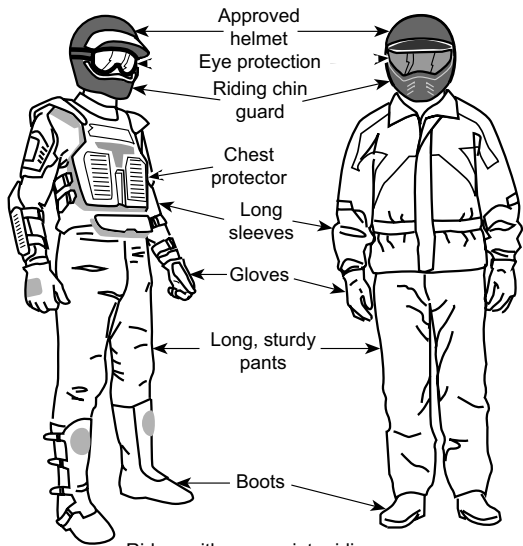
Never transport flammable or dangerous material.

Always use a BRP LinQ fuel container to transport fuel on vehicle. Only the approved BRP LinQ fuel container can be attached securely in the front storage compartment of the vehicle.

### Riding Gear

Actual weather conditions should help you decide how to dress. Dress for the coldest weather expected. Thermal underwear next to the skin also provides a good insulation. It is important that the operator always wears the appropriate protective riding gear and apparel, including an approved helmet, eye protection, boots, gloves, a long sleeved shirt and pants. This type of clothing will provide you protection

from some of the minor hazards you may encounter en route. The operator must never wear loose clothing such as a scarf that may get entangled in the vehicle or on tree branches and shrubs. Depending on conditions, anti-fogging goggles or sunglasses may be required. Different colored lenses available for goggles or sunglasses help you distinguish terrain variations. Sunglasses should only be worn during the daytime.



Riders with appropriate riding gear



### **Hazardous Materials**

Lithium-ion high-voltage propulsion batteries are considered hazardous materials. Special care are required for BRP electric vehicles or high-voltage propulsion batteries disposal. Refer to local regulations regarding shipping or recycling requirement for hazardous materials. Contact an authorized BRP dealer for additional information.

---

## GET FAMILIAR WITH THE VEHICLE



### WARNING

This vehicle may exceed the performance of other vehicles you may have ridden in the past. Take time to familiarize yourself with your new vehicle.

Inexperienced riders may overlook risks and be surprised by the vehicle's specific behavior and terrain conditions. Ride slowly. Excessive speed and reckless driving can kill.

Make sure you read and understand the content of this operator's guide to become completely familiar with the controls and operation of the vehicle before embarking on your first trip or taking on a passenger (BRP passenger's seat kit required). If you have not had the opportunity to do so, practice driving solo in a suitable traffic-free area to become accustomed to the feel and response of each control.

It is very important to inform any operator, regardless of his experience, of the handling characteristics of this vehicle. The vehicle configuration, such as wheel stance, suspension type, weight, width and type vary from one model to another. The vehicle handling is greatly influenced by these characteristics.

### **What's Different with a Can-Am Electric ATV**

This section will help you to understand some distinctive and operating features of this vehicle.

## Noise Emission (Sound)

Under normal operating conditions, this electric ATV generates significantly less noise than a typical ATV with an internal combustion engine. After vehicle activation (start-up), the ATV will move upon accelerator lever input without emitting sound. You must be aware of bystanders accidentally touching the controls, when the ATV is stationary and propulsion system activated.

The operator must pay extra attention to the surroundings when driving the ATV. Bystanders may not hear the electric ATV approaching. Bystanders may not know that the electric ATV propulsion system is active.

### WARNING

Avoid severe injury or death to you or bystanders. Be aware that this vehicle does not have engine noise when the propulsion system is enabled. The vehicle can be ready to drive without emitting sound. Learn how to recognize when the vehicle is READY to move from the multifunction display. Always check the state before reaching the accelerator lever. Turn OFF the stop switch to disable the propulsion system and/or move the shift lever to PARK when not in use to prevent unintentional movement of the ATV from accidental activation of the accelerator lever. The vehicle must be placed in PARK or have the parking brake enabled to avoid movement.

### WARNING

Avoid severe injury or death to you or bystanders. This ATV emits no noise when stationary and low noise when operated. Bystanders may not be aware of your presence. Always make sure the surroundings is clear before moving.

---

## Regenerative Braking (Regen)

When the conditions allow it, the regenerative braking takes energy from the moving vehicle through its wheels and stores it in the high-voltage battery for later use.

When decelerating, energy is returned automatically to the high voltage battery. The level of returned energy and deceleration depends on battery temperature, battery state of charge, and the regen mode selected. Refer to [Regen Modes, page 3-148](#) section for more information.

Regenerative braking differs from the vehicle brakes in many aspects and may not always be available.

It is therefore not a substitute for the vehicle brakes, which should be used to stop the vehicle.



### WARNING

Avoid being surprised and increasing the risk of crash. Regen capability will vary according to the state of the high-voltage propulsion system and could be disabled. Always be prepared to apply the brakes at all times by covering the front brake lever or brake pedal.

## Accessories and Modifications

Any modifications or addition of accessories approved by BRP may affect the handling of your vehicle. It is important to take the time to get familiar with the vehicle once modifications are made to understand how to adapt your driving behavior accordingly.

Avoid installing equipment not specifically approved by BRP for the vehicle and avoid unauthorized modifications. These modifications and equipment have not been tested by BRP and may create hazards. For example, they could:

- Create a loss of control and increase risk of crash
- Cause overheating or short circuits increasing the risk of fire or burn injuries
- Affect the protection features provided by the vehicle
- Affect the behavior of the trailer when the vehicle is transported
- Cause a risk of losing objects on the road when transported.

Your vehicle may also become illegal to ride.

Ask your authorized BRP dealer for suitable available accessories for your vehicle.

For safety reasons, some BRP accessories must be installed by a BRP dealer but if you decide to install the accessory by yourself, when not required to be done by the dealer, it is important to follow all the instructions carefully and, if applicable, understand all the information on how to use the product or for servicing.

If the accessory has been installed on your vehicle by another person than you, BRP strongly recommends you to read the corresponding instruction sheet as there may be more for information on how to use it safely or for the servicing.

The instruction sheets can be found at this address:

- <https://instructions.brp.com>

---

## Unauthorized Modifications

Any modifications or equipment installation not specifically approved by BRP performed to the low voltage electrical system of this vehicle may affect the high voltage battery management system and impact the vehicle safety, life expectancy and warranty.



### WARNING

Do not install equipment not specifically approved by BRP or perform unauthorized modifications of this vehicle electrical systems

## RIDE SAFELY

### Plan your Ride

Always check weather conditions before riding the vehicle. Take appropriate gear for any weather you might encounter.

Plan a path in a terrain and conditions that are appropriate for your skill level. Ride prepared for the conditions you may encounter. Carry water and snacks, tools, trail maps, a cell phone and a first-aid kit.

The vehicle has a 8.9 kWh battery capacity. When the battery state of charge notification flashes, recharge as soon as possible.

### Vehicle Range

The range is defined as the distance the vehicle travels with a single full charge of the battery. A variety of factors can influence the vehicle's range and the time until charging is needed, including:

- **Weather:** In addition to temperature, slippery conditions and strong headwinds can adversely affect driving range and performance. Refer to [Effect of Temperature, page 3-117](#) for more information.
- **Terrain:** Rough terrain, mud, loose soil, and hill climbing require more power from the vehicle, thus affecting range.
- **Payload:** A passenger and pulling a trailer increase demand on the vehicle.

- 
- **Style of Driving:** An aggressive or high-speed driving style utilizes more power than a conservative driving style.
  - **Starting and Stopping:** It takes more energy to accelerate to a cruising speed than it does to maintain the same speed. Deceleration with regen will help increase vehicle range.
  - **Accessories:** Additional accessories can add weight and energy draw.

The available range remaining is displayed on the gauge. Refer to [Performance Gauge, page 3-80](#). It is predicted and slowly adjusted from latest driving style and conditions.

## Riding the vehicle

To fully appreciate the pleasures and excitement of riding this vehicle, there are some basic rules and tips that you **MUST** follow. Some may be new to you while others may be common sense or obvious.

Please take the time to study this Operator's Guide and all on-product safety labels as well as the safety video that came with this vehicle. They more completely describe what you should know about this vehicle before riding it.

Whether you are a new user or an experienced rider, it is important for your personal safety that you know the controls and features of this vehicle. Equally important is knowing how to properly ride.

This is a high performance ATV for off-road use only. Inexperienced riders may overlook risks and be surprised by the specific behavior of this ATV in any terrain condition.



If a road usage is allowed in your area, operate your vehicle on paved surface only for short distance and for the only purpose of moving the vehicle from an off-road usage to another. Always operate your vehicle at low speed (never exceed 40 km/h (25 MPH) and reduce the speed before making a turn.

Always respect all road traffic laws when operating your vehicle on public roads or streets. If you have to cross a road, the lead driver should get off his vehicle to observe and give direction to the other riders. The last person after crossing then assists the lead driver to cross.

Do not travel on sidewalks. They are designated for pedestrian use.

Information in this Operator's Guide is limited. It is strongly recommended that you obtain further information and training from your local authorities, ATV clubs, a recognized ATV training organization or contact an authorized Can-Am Off-road dealer.

We recommend following the age recommendation indicated on the safety label affixed on the unit. Even though a person may be within the age group for which this vehicle is recommended, he may not have the skills, abilities, or judgment needed to operate this vehicle safely and may be involved in a serious accident.

Individuals with cognitive or physical impairments or who are high risk takers have an increased exposure to overturns or collisions which may result in injury including death.

The 1-UP vehicle models are designed specifically to carry an operator only. Even with a long seat that provides unrestricted operator movements, it is not designed nor intended to carry passenger(s).

---

NEVER install an aftermarket passenger seat on a 1-UP models or use the racks to carry a passenger(s). Carrying passenger(s) may affect the stability and your control of the vehicle.

Not all vehicles are the same. Each has its own unique performance characteristics, controls and features. Each will ride and handle differently.

Become completely familiar with the operational controls and the general operation of the vehicle before venturing into off road conditions. Practice driving in a suitable area free of hazards and feel the response of each control. Drive at low speeds. Higher speeds require greater experience, knowledge and suitable riding conditions.

Riding conditions vary from place to place. Each is subject to weather conditions which may radically change from time to time and from season to season.

Riding on sand is different than riding on snow or through forests or marshes. Each location may require a greater degree of awareness and skill. Show good judgement. Always proceed with caution. Please do not take any unnecessary risks that could leave you stranded or possibly injured.

Never assume that the vehicle will go everywhere safely. Sudden changes in terrain caused by holes, depressions, banks, softer or harder “ground” or other irregularities may cause the vehicle to topple or become unstable. To avoid this, slow down and always observe the terrain ahead. If the vehicle does begin to topple or tip over, the best advice is to immediately get off, **AWAY** from the direction of the tip over!

We encourage you to have an Annual Safety Inspection of your vehicle. Please contact an authorized Can-Am Off-road dealer for further details. Though not required, it is recommended that an authorized Can-Am Off-road dealer performs the preseason preparation of your vehicle. Each visit to your authorized Can-Am Off-road dealer is a great opportunity for your dealer to verify if your vehicle is included in any safety campaign. We also urge you to visit your authorized Can-Am Off-road dealer in a timely manner if you become aware of any safety related campaigns.

See an authorized Can-Am Off-road dealer for available accessories you may require.

### Carrying a Passenger

#### 1-UP Models

This vehicle is designed specifically to carry an operator only. Even with a long seat, this vehicle is not designed nor intended to carry passenger (s). NEVER install passenger seat or use the cargo area to carry passenger (s). Carrying passenger (s) may affect the stability and your control of the vehicle.

---

## 2-UP Models

This vehicle is designed specifically to carry an operator and ONE (1) passenger only. The passenger must be seated on the designated passenger's seat and hold on to the grab handles at all times. NEVER install other passenger's seat other than the one recommended by BRP. Do not use the racks or their location to carry passenger (s). Carrying more than one (1) passenger may affect the stability and your control of the vehicle. When the passenger seat is not installed, the vehicle becomes a ONE-RIDER vehicle (1-UP model) and NO PASSENGER must be allowed on it.

## Recreational Riding

Respect the rights and limitations of others. Stay away from areas designated for other types of off road use. This includes snowmobile trails, equestrian trails, cross country ski trails, mountain bike trails, etc. Never assume there are no other users on the trail. Always stay to the complete right of the trail and do not zigzag to one side of the trail then the other. Be prepared to stop or pull off to the side if another trail user appears in front of you.

Join a local ATV club. It will provide you with a map and advice or inform you where you can ride. If a club does not exist in your area, help to start one. Group riding and club activities provide a pleasurable, social experience.

## SAFETY INFORMATION

Always keep a safe distance from other riders. Your judgment of speed, terrain conditions, weather, mechanical condition of your vehicle and the “trust in judgment” you have in others around you will help you make a better choice of appropriate safe distance. This vehicle, like any other motorized vehicle, cannot stop “on a dime”.

On 2-UP models, the vehicle handling, stability and braking distance may be affected when riding with a passenger. Safely reduce speed when riding with a passenger.

Before you ride, tell someone where you are planning to travel and your expected time of return.

Depending on the length of your ride, carry additional tools, drinking water, food and emergency equipment. Find out where charging stations are located. Be prepared for the possible conditions you may encounter.

First aid kit	Adjustable wrench
Mobile phone	Knife
Friction tape	Flashlight
Rope or strap to free a stuck vehicle	Colored lens goggles
Snack	Trail map
Provided multifunction tool	Water

---

## Environment

One of the benefits of this vehicle is that it can take you off the beaten path away from most communities. However, you should always respect nature and the rights of others to enjoy it. Do not ride in environmentally sensitive areas. Do not drive over forest crops or shrubs, nor cut down trees or take down fencing, nor spin your wheels and destroy the terrain. “Tread Lightly”.

Chasing wildlife is in many areas illegal. Wildlife can die of exhaustion after being chased by a motorized vehicle. If you encounter animals on the trail, stop and observe quietly and with caution. It will be one of the better memories of your life.

Observe the rule “what you take in, carry out”. Do not litter. Do not start campfires unless you have permission to do so, and then only away from dry areas. The hazards you may create on the trail may cause injury to others or yourself, even at a later date.

Respect farm lands. Always obtain the permission of the landowner before riding on private land. Respect crops, farm animals and property lines.

Finally, do not pollute streams, lakes or rivers and do not modify the vehicle, or any of its components that may alter the vehicle integrity.

## Design Limitation

Although the vehicle is exceptionally rugged for its class, it is still a light vehicle by definition and its operation must be restricted to its proper purpose.

The addition of weight to any part of the vehicle changes its gravitational stability and modifies its performance.

### Off-Road Operation

The very nature of off-road operation is dangerous. Any terrain, which has not been specially prepared to carry vehicles, presents an inherent danger where terrain substance, shape and steepness are unpredictable. The terrain itself presents a continual element of danger, which must be knowingly accepted by anyone venturing over it.

An operator who takes a vehicle off-road should always exercise the utmost care in selecting the safest path and keeping close watch on the terrain ahead of him. The vehicle should never be operated by anyone who is not completely familiar with the driving instructions applicable to the vehicle, nor should it be operated on steep or treacherous terrain.

### Riding Techniques

Information in this guide is limited. Increase your knowledge and improve your skills by following a certified training course.

Care, caution, experience and driving skill are the best precautions against the hazards of vehicle operation.

Respect and follow all posted trail signs. They are there to help you and others.

In off-road operation, power and traction, not speed, are important. Never drive faster than visibility and your own ability to select a safe route permits.

Constantly watch the terrain ahead for sudden changes in slopes or obstacles, such as rocks or stumps, that may cause loss of stability, resulting in tip over or rollover.

---

It is also wise to know the terrain condition on the other side of a hill or bank. All too often there exists a sharp drop-off that is impossible to negotiate or descend.

Whenever there is the slightest doubt that the vehicle can safely negotiate an obstacle or a particular piece of terrain, always choose an alternate route.

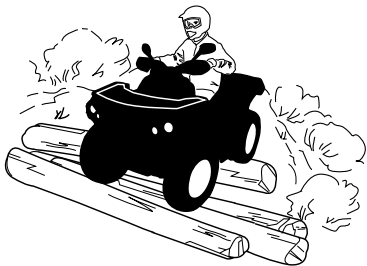
Always use proper riding techniques to avoid vehicle overturns on hills and rough terrain and in turns.

## **Body Position**

To maintain proper control, it is strongly advised that you keep your hands on the handlebar and within easy reach of all controls. The same holds true for your feet on the foot pegs. To minimize the possibility of a leg or foot injury, keep your feet on the foot pegs at all times. Do not direct your toes outwards nor extend your feet out to assist in turning as they can be hit or be snagged on passing obstacles, or may come into contact with the wheels.

Even though there is a suspension on this vehicle, there are “washboard” or rough terrain conditions that will make you feel uncomfortable and can even cause a back injury. “Posting” or riding in a crouched position will often be required. Slow down and allow your flexed legs to absorb part of the impact energy.





### 2-UP Models

The passenger must keep his hands on the grab handles and his feet on the footrests at all time.

The passenger must also synchronize his movements with the operator.

### Crossing Roads

If you have to cross a road, ensure to have complete visibility on both sides for incoming traffic and decide on exit point on other side of road. Drive in a straight line toward that point. Do not make sharp direction changes or abrupt accelerations as it may result in a rollover situation. Do not travel on sidewalks or bicycle trails as they are designated specifically for those uses.

### Turning

Practice turning at low speeds before attempting to turn at faster speeds.

Keep both hands on handlebars and feet on footpegs.

Maintain a constant speed or a slight acceleration during turn.

---

To reduce the risk of rollovers:

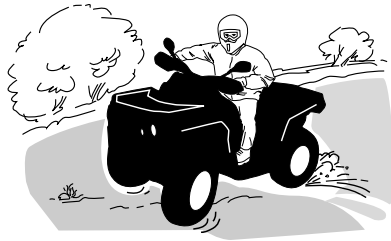
- Use care when turning.
  - Do not turn the handlebar too far or too fast for your speed and environment. Adjust steering inputs accordingly.
  - Slow down before entering a turn. Avoid hard braking during a turn.
  - Avoid sudden or hard acceleration when turning, even from a stop or low speed.
- Never attempt donuts, skids, slides, fishtails, jumps, or other stunts. If vehicle starts to skid or slide, steer in the direction of the skid or slide. Never slam the brakes and lock the wheels.
- Avoid paved surfaces. This vehicle is not designed to operate on paved surfaces and is more likely to roll over. If you must drive on

pavement, turn gradually, go slowly, and avoid abrupt acceleration and braking.

Avoid sudden inputs to steering, accelerator lever or brakes while turning.

 **WARNING**

Do not attempt turns at excessive speed.



If you do get into a slide or skid, it may help to turn the handlebar in the direction of the skid until you regain control. Never jam the brakes and lock the wheels.



### WARNING

The tires of this vehicle are not suited for paved road use. Also this vehicle is not equipped with a rear differential (rear wheels are always turning at the same speed). For these reasons, pavement may seriously affect the handling and control of the vehicle.

## Braking

Always keep both hands on handlebars and feet on footpegs when braking.

Practice braking to get familiar with the brake response.

- Do it at low speed first, then increase the speed.
- Practice braking in straight line at different speeds and different braking force.
- Practice emergency braking; optimal braking is obtained in straight line, with high force applied, without locking the wheels.

Remember, braking distance depends on vehicle speed, load and the type of surface. Also, the tires and brakes conditions play a major role.



If going forward the vehicle weight is transferred to the front wheels when braking. To obtain greater stopping efficiency, the brake system distributes more braking force to the front wheels. This will affect vehicle handling and steering control when braking vigorously. Take it into account when braking.

## Reverse Operation

When operating in reverse, vehicle emit a sound to alert potential surrounding crowds.

When operating in reverse, check that the path behind the vehicle is free of people or obstacles. Proceed slowly and avoid sharp turns.

When riding on a 2-UP model, take into account that the passenger can obstruct your view. Disembark the passenger if necessary.

We recommend sitting on your ATV when operating in reverse. Avoid standing up. Your weight could shift forward against accelerator lever, causing an unexpected acceleration.



Unexpected acceleration when the ATV is operated in reverse can cause a loss of control.

## Obstacles

Obstacles in the “trail” should be traversed with caution. This includes loose rocks, fallen trees, slippery surfaces, fences, posts, and embankments and depressions.

You should avoid them whenever possible. Remember that some obstacles are too large or dangerous to cross and should be avoided.

Small rocks or fallen trees may be safely crossed approach at a 90° angle.

Stand on the footrests while keeping your knees flexed. Adjust speed without losing momentum and do not “gun” the accelerator lever.

Hold handlebar (operator) or grab handles (passenger on 2-UP models) firmly. Place body weight rearwards (operator and passenger 2-UP models) and proceed.

Do not try to lift the vehicle front wheels off the ground. Be aware that the object may be slippery or may move while crossing.

When riding on 2-UP models, the operator is responsible for the safety of the passenger; in doubt, disembark the passenger before proceeding.

### Uphill Driving

#### 1-UP Models



Before trying to climb a hill, keep these things in mind.

Hill climbing should only be attempted by experienced operators.

Start on shallow slopes.

Always drive straight uphill and keep your body weight forward towards the top of the hill.

---

Keep your feet on the footrests, shift your ATV into a lower gear and accelerate before you start to climb.

Try to keep a steady speed and go easy on the accelerator lever to avoid acceleration.

Abrupt slope or terrain variation or rolling one wheel over an obstacle could have a big impact on the stability as it will lift the front of the vehicle increasing the risk of tipping over.

Some hills are too steep to safely stop or recover from after an unsuccessful climbing attempt.

Try to avoid steep inclines. If you're not careful, you could tip over when going up hills.

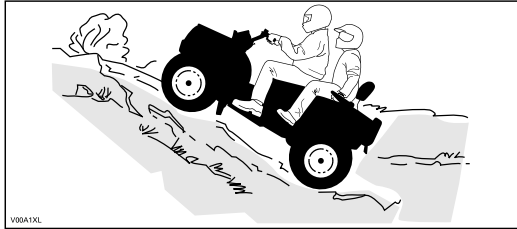
If the hill is too steep and you cannot proceed or the vehicle begins to roll backwards, apply the brake, being careful not to slide, apply the parking brake. Dismount on the left side then use the "K" turn (while walking back, next to the vehicle on the up hill side and with a hand on the brake lever, slowly back the rear of the vehicle toward the top of the hill then drive downhill).

Always walk or dismount on the upside of the slope while keeping clear of the vehicle and its rotating wheels.

Do not try to hold on to the vehicle if it begins to topple. Stay clear.

Do not ride over the crest of the hill at high speed. Obstacles, including sharp drop-offs, may exist.

### 2-UP Models



The passenger must synchronize his movements with the operator. The passenger must remain seated at all times.

Do not forget, the operator is responsible for the safety of the passenger. In doubt, disembark the passenger before climbing a hill.

Before trying to climb a hill, keep these things in mind. Hill Climbing should only be attempted by experienced operators.

Start on shallow slopes. Always drive straight uphill.

Operator and passenger must keep their body weight forward, towards the top of the hill. Keep feet on the footrests, shift the ATV into a lower gear and accelerate before you start to climb. Try to keep a steady speed and go easy on the accelerator lever to avoid acceleration.

Abrupt slope or terrain variation or rolling one wheel over an obstacle could have a big impact on the stability as it will lift the front of the vehicle increasing the risk of tipping over.

Some hills are too steep to safely stop or recover from after an unsuccessful climbing attempt. Try to avoid steep inclines. If you're not careful, you could tip over when going up hills.

---

If the hill is too steep and you cannot proceed or the vehicle begins to roll backwards, apply the brake, being careful not to slide and apply the parking brake. Ask the passenger to dismount first, then use the “K” turn (while walking back, next to the vehicle on the up hill side and with a hand on the brake lever, slowly back the rear of the vehicle toward the top of the hill then drive downhill). Always walk or dismount on the upside of the slope while keeping clear of the vehicle and its rotating wheels.

Do not try to hold on to the vehicle if it begins to topple. Stay clear. Do not ride over the crest of the hill at high speed. Obstacles, including sharp drop-offs, may exist.

The passenger should get on the vehicle only when the vehicle has returned to a safe location.

## Vehicle Behaviors

Due to configuration, this vehicle has excellent climbing ability, so much so that it is possible to tip over before traction is lost. For example, it is common to encounter terrain situations where the top of the hill has eroded to a point that the hill peak rises very sharply. The vehicle can readily negotiate such a condition, however, in doing so, when the front of the vehicle is driven to a point that the vehicle's balance moves rearward, a tip over can occur.

The same situation may apply if an embedded object causes the front of the vehicle to climb more than desired. If such a situation occurs take an alternate route. Be aware of side hilling dangers when doing so. Refer to *SIDE HILLING* below.

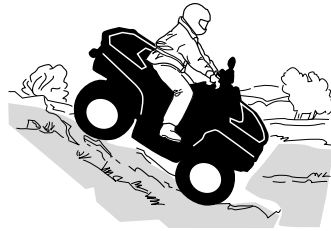


### Downhill Driving

#### 1-UP Models

Keep your body weight rearwards. Stay seated. Apply the brake gradually to prevent skidding. Do not “coast” down the slope using solely regenerative braking (regen) or in neutral gear.

Decelerating while negotiating a slippery downhill slope could “toboggan” the vehicle. Maintain steady speed and/or accelerate slightly to regain control. Try to avoid steep inclines. If you're not careful, you could tip over when going down hills.



---

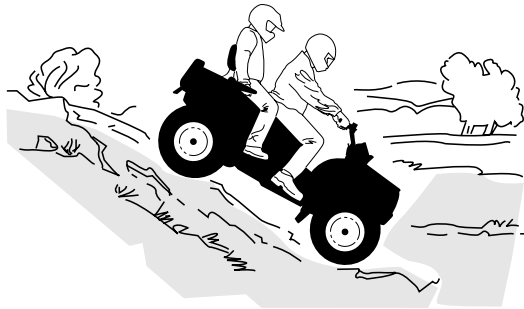
## 2-UP Models

The operator is responsible for the safety of the passenger; in doubt, disembark the passenger before proceeding.

Always remember that the vehicle handling, stability and braking distance may be affected when riding with a passenger.

The passenger must synchronize his movements with the operator. The passenger must remain seated at all times.

Operator and passenger must keep their body weight rearwards. Apply the brake gradually to prevent skidding. Do not “coast” down the slope using solely regenerative braking (regen) or in neutral gear. Try to avoid steep inclines. If you're not careful, you could tip over when going down hills.



## Vehicle Behaviors

This vehicle can climb slopes that are steeper than it can safely descend. Therefore, it is essential to ensure that a safe route exists to descend a slope before you climb it.

## Side Hilling

This is one of the **most risky** types of riding because it can drastically change the balance of the vehicle. It should be avoided whenever possible. However, if it is necessary to do so, it is important that you **ALWAYS** keep your body weight on the upside of the slope and be prepared to dismount on that side should the vehicle begin to topple.

Avoid all objects or depressions that will intensify the raising of one side of the vehicle higher than the other, thus causing rollover.

### WARNING

Do not try to stop or save the vehicle from damage.

### WARNING

Be careful when loading and transporting liquid reservoirs. They can affect vehicle stability when side hilling by pulling downhill and increasing the risk of a rollover.



---

## 2-UP Models

The passenger must synchronize his movements with the operator. The passenger must remain seated at all times.

The operator is responsible for the safety of the passenger; when in doubt, disembark the passenger before proceeding.

### Drop-Offs



This vehicle will “bottom out” and usually stop if either the front or rear wheels are driven over a drop-off. If the drop is sharp or deep, the vehicle will nose dive and tip over.

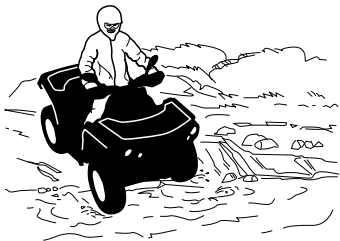
When riding on a 2-UP model, the operator is responsible for the safety of the passenger; in doubt, disembark the passenger before proceeding.

### Crossing Water

Water can be a unique hazard. If it is too deep the vehicle may “float” and topple. Check the water depth and current before you attempt to cross any water.

Water should not go above the middle of the wheels.

Be wary of slippery surfaces such as rocks, grass and logs, both in the water and on its banks. A loss of traction may occur. Do not attempt to enter the water at high speed. The water will act as a brake and could throw you off the vehicle, on the ground.



Wet brakes will affect the braking ability of your vehicle. Make sure you dry the brakes by applying them several times after the vehicle leaves the water, mud or snow. Allow greater distance for braking.

Mud or marsh lands may be encountered near water. Be prepared for sudden “holes” or changes in depth. Similarly, be watchful of hazards such as rocks and logs that are partially covered by vegetation.

### Riding on Ice

If your route crosses frozen waterways, make sure the ice is thick enough and sound enough to support the total weight of yourself, your passenger (2-UP models), the vehicle and its load. Be ever watchful of open water it is a sure indication that the ice thickness will vary.

On 2-UP models, the operator is responsible for the safety of the passenger; in doubt, do not attempt to cross.

Ice will also affect the control of the vehicle. Slow down and do not “gun” the accelerator lever. This will only result in spinning of the tires and possible tip over of the vehicle or passenger ejection (2-UP models).

Avoid rapid braking. This again will possibly result in an uncontrolled slide and tip over of the vehicle or passenger ejection (2-UP models).

---

Slush should be avoided at all times since it could block the operation or controls of the vehicle.

### **Riding on Snow Covered Surfaces**

When performing the pre-ride inspection, pay special attention to locations on the vehicle where snow and/or ice accumulations may obstruct visibility of the taillight and reflectors, clog ventilation openings, block the radiator and fan, and interfere with the movement of control levers, switches and brake pedal. Before starting with your ATV check the steering, accelerator lever and brake lever and pedal controls for interference free operation.

Whenever an ATV is ridden on a snow covered drive path the tire grip is generally reduced causing the vehicle to react differently to control inputs from the operator. On low grip surfaces, the steering responses are not as crisp and precise, stopping distances are lengthened and acceleration becomes sluggish. Slow down and do not "gun" the accelerator lever. This will only result in spinning of the tires and possibly in an over steering slide of the vehicle. Avoid hard braking. This will possibly result in a straight line slide of the vehicle. Again, the best advice is to safely reduce speed in anticipation of a maneuver so to give yourself time and distance to regain total vehicle control before it spins out of your control.

As you drive your ATV over a loose snow covered surface, snow dust will be picked up in the wake turbulence of the moving vehicle and transported to contact and accumulate or melt on some exposed components including rotating parts like brake discs. Water, snow or ice may affect the response time of the brake system of your ATV. Even when not required to reduce vehicle speed apply brakes frequently to prevent ice or snow accumulation and to dry brake pads and discs. While doing so in low risk driving situations you will test for grip level and keep yourself alerted to how the vehicle reacts to your control inputs. Always keep brake pedal, footrests, floor boards, brake and accelerator lever levers free of snow and ice. Frequently wipe snow off seat, hand grips, headlights, taillights and reflectors.

The depth of the snow cover may hide rocks, tree stumps or other objects and if it is wet may totally impede the driveability as the vehicle becomes bogged down or completely loses traction in slushy snow. Look far ahead and always be watchful of any visible clues that might indicate the presence of such obstacles. In doubt steer clear. Avoid driving on any frozen body of water before checking that the ice will safely support the ATV, its riders and its load of cargo. Remember that a given thickness of ice may be sufficient to support a snowmobile but not an ATV of an identical weight because of the smaller load bearing surface of the four tire contact patches as compared to that of a snowmobile track and skis.

To maximize comfort and avoid frostbite, always wear clothing and ATV protective equipment appropriate for the weather conditions you will be exposed to during your ride.

---

At the end of each ride it is a good practice to clean the vehicle body and all moving components (e.g., brakes, steering components, drivelines, radiator fan and controls) from any snow or ice accumulations. Wet snow will turn to ice during the shut down period and become more difficult to remove at the next pre-ride inspection.

Riding in snow may reduce the brakes stopping capability. Safely reduce speed and allow greater distance for braking. Snow projection may cause ice build up or snow accumulation on brake components and controls. Apply brakes frequently to prevent ice or snow accumulation.

## **Riding on Sand**

Riding on sand or sand dunes is another unique experience, but there are some basic precautions that should be observed.

Wet, deep or fine sand may create a loss of traction and cause the vehicle to slide, drop off or become “bogged” down.

If this occurs look for a firmer base. Again, the best advice is to slow down and be watchful of the conditions.

Slow down even more when riding with a passenger (2–UP models).

When riding in sand dunes it is advisable to equip the vehicle with an antenna-type safety flag. This will help make your location more visible to others over the next sand dune.

Proceed carefully should you see another safety flag ahead.

Since the antenna type safety flag can snag and rebound on your body if caught, do not use it in areas where there are low hanging branches or obstacles.



Always remember when riding that the vehicle handling and stability may be affected when riding with a passenger.

### **Riding on Loose Stones**

Riding on loose stones or gravel is very similar to riding on ice. They will affect the steering of vehicle possibly causing it to slide or tip over, especially at high speeds (resulting in operator and passenger ejection (2-UP models)).

Again, the best advice is to slow down and be watchful of the conditions. When you ride with a passenger (2-UP models), slow down even more.

In addition, braking distance may be affected. Remember that “gunning” the accelerator lever or sliding may cause loose stones to be ejected rearwards into the path of another rider. Never do it deliberately.


---

## SPECIAL PROCEDURES

### Limited Power Mode

The limited power mode is activated automatically to protect the high-voltage power-unit but allows you to continue your ride in case of a components malfunction or under certain conditions.

This mode is caused by electrical failure or sensor malfunctions.

When the limited power mode is activated, the pilot lamp  is turned ON only as a result of system malfunction and is displayed in the upper section of the digital display.

In limited power mode, the available power is limited and therefore the vehicle speed.

If you continue to operate your vehicle in limited power mode for an extended period, with a low state of charge, the vehicle speed will reduce progressively until a complete stop. Depleting the high-voltage battery energy may affect its longevity and should be avoided. Have the vehicle transported to the closest Electric Vehicle Supply Equipment (EVSE).

If the limited power mode is still active after charging the vehicle, have the vehicle transported to your authorized BRP Dealer to have your vehicle serviced before riding or charging again.

### Turned Over Vehicle

When vehicle is turned over or stays tilted on the side, put the vehicle back on its wheel.

Inspect vehicle for damages.



### WARNING

Never operate the vehicle if damaged.  
Refer to an authorized Can-Am Off-road dealer.

If vehicle has no damage, refer to [Maintenance Procedures, page 4-28](#) and inspect the following.

- Check coolant level and refill if necessary.
- Check front differential oil level and refill if necessary.
- Check gearbox oil level and refill if necessary.
- Check rear final drive oil level and refill if necessary.
- Start the vehicle. If any fault codes or messages are displayed in the multifunction display, see an authorized Can-Am Off-road dealer.

Whenever the vehicle is turned over, it should be inspected by an authorized Can-Am Off-road dealer.

### Submerged Vehicle

Should the vehicle high voltage battery become submerged for an extended period of time, do not attempt to start the vehicle right away. Let the vehicle outside in a safe zone for at least 48 hours with the DESS key removed from the vehicle.

Stay alert to signs of a lithium battery fire, such as smoke, popping / hissing sound, or burn smell emitting from the high-voltage battery.

After this period, take additional precautions when starting the vehicle.

---

BRP electric vehicles have a monitoring system which will indicate if the high-voltage system is defective, this will be visible in the multifunction display with telltale icons and warning messages, as described in [Warning Lamps and Indicators, page 3-83](#).

If notifications or warning lamps and indicators are displayed, keep your vehicle parked outside in a safe place, remove the DESS key and it will be necessary to take the vehicle to an authorized BRP dealer as soon as possible.



**DANGER**

The lithium-ion high-voltage propulsion battery or high-voltage components can cause electrical shock and/or fire when damaged. Do not disconnect or touch any exposed connections and/or damaged components with bare fingers, non-insulated tools or other metallic objects. Contact with high-voltage current will cause severe injury or death. Refer to [High Voltage Components, page 3-111](#).

A damaged lithium-ion high-voltage battery can leak electrolyte and/or generate flammable gas. Contact with electrolyte will cause severe injury, rinse the affected area with water and seek for immediate medical attention.

The electric vehicle should only be lifted or manipulated by personnel properly trained, equipped and advised that the vehicle presents high-voltage hazards.

Contact local emergency service for immediate assistance. Refer to [Emergency Response, page 2-90](#)

Additional information can be found in the vehicle's *Emergency Response Guide* available at this address:

- <https://operatorsguides.brp.com/>

### In Case of an Accident

Depending on the severity of the situation, precautions must be taken if the high-voltage components have been damaged creating a risk of electric shock and / or fire. Refer to [High Voltage Components, page 3-111](#) for components location.

BRP electric vehicles have a monitoring system which will indicate if the high-voltage system is defective, this will be visible in the multifunction display with telltale icons and warning messages.

- Stay alert to signs of a lithium battery fire, such as smoke, popping / hissing sound, or burn smell emitting from the high-voltage battery.
- Avoid unnecessary manipulation of the vehicle.

Remove the D.E.S.S. key from its post and let the vehicle power down (multifunction display turns off).

If the vehicle is turned over, put the vehicle back on its wheel.

---

Visually inspect visibly accessible high-voltage components for dents or cracks, high-voltage cables for tears or cuts, etc.



**DANGER**

Avoid direct contact with damaged high-voltage components.

If any damage is found, high-voltage components may be compromised and direct contact with high voltage current will cause severe injury or death. Do not attempt to manipulate the vehicle. Contact local emergency services for immediate assistance. Refer to [Emergency Response, page 2-90](#).

If no external damage to the high-voltage components is found, install the D.E.S.S. key on its post and activate the vehicle.

If any fault codes or messages are displayed in the multifunction display and/or if the multifunction display does not turn on, remove the D. E. S. S. key from its post and see an authorized Can-Am Off Road dealer. Refer to [Emergency Response, page 2-90](#).

If no codes or messages are displayed, then proceed with the following.

Refer to [Maintenance Procedures, page 4-28](#) and inspect the following:

- Check coolant level and refill if necessary. Avoid riding your vehicle if a leak is present, the high voltage system requires a functional cooling system.
- Check front differential oil level and refill if necessary. Avoid riding your vehicle if a leak is present.
- Check rear final drive oil level and refill if necessary. Avoid riding the vehicle if a leak is present.
- Perform a full Pre-ride inspection. Refer to [Pre-Ride Checklist, page 2-145](#).

The vehicle should be inspected as soon as possible and repaired by an authorized BRP dealer, if required. In any circumstances, the vehicle should be parked/stored outside until an inspection has been completed.

 **WARNING**

Always assume a damaged vehicle's high voltage system is charged and energized. The high-voltage components on the vehicle should only be serviced by an authorized service technician. Do not tamper with the high-voltage components in any way.

 **WARNING**

Contact local emergency services for immediate assistance if any signs of smoke or fire appear.

---

## Emergency Response

BRP electric vehicles are equipped with safety features for your protection. In the event of an incident, accident or submersion in water additional precautions must be taken to protect yourself from the high-voltage hazards that might have been created by the external and/or internal damages to the high-voltage components.

If such an event occurs, stop using the vehicle. The vehicle should be inspected by a BRP dealer prior to next ride. Contact local emergency service for immediate assistance.



**DANGER**

The lithium-ion high-voltage propulsion battery or high-voltage components can cause electrical shock and/or fire when damaged. Do not disconnect or touch any exposed connections and/or damaged components with bare fingers, non-insulated tools or other metallic objects. Contact with high-voltage current will cause severe injury or death.

A damaged lithium-ion high-voltage battery can leak electrolyte and/or generate flammable gas. Contact with electrolyte will cause severe chemical burns, rinse the affected area with water and seek for immediate medical attention.

The vehicle high-voltage system can be disabled using the First Responder Cut Loop (FRCL) cut locations. They can be exposed by removing the driver's seat. Refer to **FRCL Label** and [Seat Removal, page 3-52](#).



The FRCL usage is reserved to the emergency personnel or first responders only. The electric vehicle should only be lifted or manipulated by personnel properly trained, equipped and advised that the vehicle presents high-voltage hazards.

Additional information can be found in the vehicle's *Emergency Response Guide* available at this address:

- [operatorsguides.brp.com](http://operatorsguides.brp.com)

---

## MOVING LOADS AND DOING WORK

### Working with Your Vehicle

Your vehicle can help you perform a number of different tasks ranging from snow removal to pulling wood or carrying cargo. A variety of accessories are available from your authorized Can-Am Off-road dealer. To prevent possible injury, follow the instructions and warnings that accompany the accessory. Always respect the load limits of the vehicle. Overloading the vehicle can overstress the components and cause failure. Avoid overexerting yourself if you lift or pull heavy loads or manually push the vehicle.



**WARNING**

Mounted machinery must be lowered on the ground before leaving the vehicle.

### Loading the Cargo Racks

Load cargo as low as possible – a higher load can raise the vehicle's center of gravity, which can reduce stability. Position cargo on the rack as evenly distributed as possible.

Secure the load on the cargo rack. Do not secure cargo to other parts of the vehicle. If it is not properly secured, a load may slide or fall off, possibly striking occupants or bystanders; or it may shift during riding, affecting the handling of the vehicle.

Objects that are high may affect visibility for the driver and may act as projectiles in case of an accident. Loads that protrude sideways can get snagged or caught in bush, branches or other obstacles. Avoid covering and obstructing the brake lights with the cargo. Ensure no cargo protrudes outside the cargo rack and that cargo will not interfere with your visibility or control of the vehicle.

### NOTICE

Do not exceed the cargo racks capacity. Always refer to the safety labels on the vehicle.

Never carry gasoline container (s) or any dangerous liquids on the cargo rack(s).

Only an approved BRP LinQ fuel container can be attached securely in the front storage compartment of the vehicle.

## Operating While Carrying a Load

Reduce your speed when carrying cargo and turn gradually.

Avoid hills and rough terrain.

Allow more distance for braking.

This vehicle may require additional stopping distance if carrying heavy loads, especially on inclined surfaces.

Adjust the suspension accordingly.

## Hauling a Load

Never pull a load by attaching it to the bumper; this can cause the vehicle to tip over. Use only the trailer hitch (if installed) to pull a load.

In an emergency situation, use the recovery hook to recover a stuck vehicle, refer to [Recovery Hooks, page 3-63](#).

---

When pulling loads with a chain or cable:

- Ensure that there is no slack before starting and maintain tension while pulling.
- Be sure to brake progressively. The inertia of the load could lead to an impact.



**WARNING**

A slack in the chain or cable can cause it to break and snap back.

When hauling a load, respect the maximum hauling capacity, refer to [Pulling a Trailer, page 2-94](#).

When pulling another vehicle, be sure that someone is controlling the pulled vehicle. They must brake and steer to prevent the vehicle from going out of control.

When hauling a load or pulling a trailer, we recommend that the shift lever be set to L (low gear) position. This will optimize the performance capacity of the vehicle and help avoid E-motor overheating.

Reduce your speed when hauling a load and turn gradually.

Avoid hills and rough terrain.

Never attempt steep hills.

Allow more distance for braking, especially on inclined surfaces and when a passenger (2-up models) is on board.

Be careful not to skid or slide.

## **Pulling a Trailer**

Check the maximum axle loads of the vehicle identification plate (statutory plate).

Can-Am T category tractor can tow a trailer on the road. Check the trailer maximum load on its identification plate.

Check regulations for your area regarding the use of a tractor and trailer on the road.

Connect the trailer lights.

### NOTICE

A BRP approved rear hitch must be properly installed on the vehicle for hauling trailers.

Riding this vehicle with a trailer substantially increases the risk of toppling, especially on inclined slopes. If a trailer is used behind the vehicle make sure that its hitch is compatible with the one on the vehicle. Make sure the trailer is horizontal with the vehicle. (In some instances a special extension may have to be installed on the vehicle hitch). Use security chains or cables to secure the trailer with the vehicle.

Reduce your speed when pulling a trailer and turn gradually. Avoid hills and rough terrain. Never attempt steep hills. Allow more distance for braking, especially on inclined surfaces and when a passenger (2-up models) is on board. Be careful not to skid or slide.

Improperly loading a trailer may cause a loss of control.

Do not exceed the towing capacity or tongue capacity. Refer to [6 Technical Specifications, page 6-2](#).

Make sure there is at least some weight on the tongue.

Always make sure load is evenly distributed and safely secured on the trailer; an evenly balanced trailer is easier to control.

Always put the shift lever to L (low range) for hauling a trailer – in addition to providing more torque, operating in low range helps account for the increased load on the rear tires.

---

When stopped or parked, block the vehicle and trailer wheels from possible movement.

Use caution when disconnecting a loaded trailer; it or its load may topple on you or others.

When hauling a trailer, respect the maximum hauling capacity indicated on the label on the hitch.

The towing capacity includes the trailer weight.



**WARNING**

Stay clear from the area between the vehicle and the trailed vehicle.



**WARNING**

Strictly follow the instructions outlined in the user's guide of the mounted or trailed machinery or trailer, and not to operate the combination vehicle - machine or vehicle - trailer unless all instructions have been followed.

## LIFTING THE VEHICLE



Never lift the front AND rear of the vehicle without securing the support points.

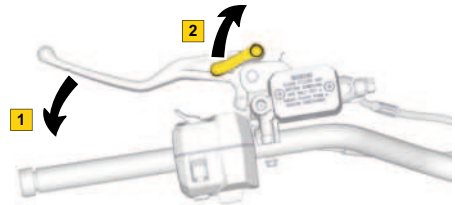
Never lift the vehicle only by the support points.

1. Engage the 4WD mode (if available).

### NOTE:

4WD mode is engaged when the vehicle is activated and has moved about one meter.

2. Place the shift lever in PARK.
3. Lock the brakes.



1. Apply brakes
2. Lock brakes

4. Lift the vehicle using a suitable lifting device and appropriate areas.




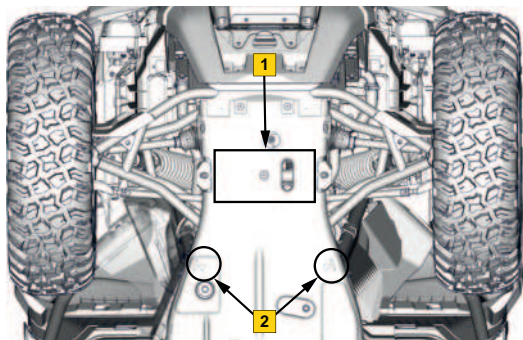
**WARNING**

Ensure all wheels are locked before lifting the vehicle. Do not exceed the lifting device capacity. Use only a device approved for lifting this type of vehicle. Do not move the vehicle using a lifting device. Refer to the manufacturer warnings and instructions prior to use.

5. Support vehicle with jack stands in accordance with the recommended support points.



The following icon  is stamped on the skid plate to indicate the location of the recommended support points.

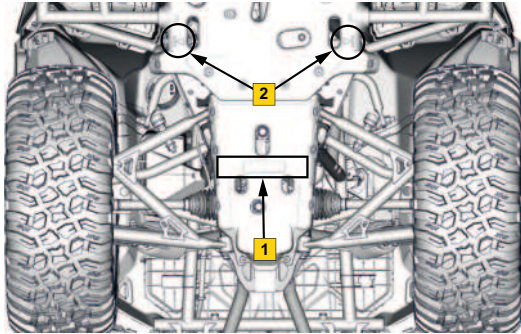


**Front of vehicle**

1. *Lifting area*

2. *Support points*





### **Rear of vehicle**

- 1. Lifting area*
- 2. Support points*

## TRANSPORTING THE VEHICLE

When contacting a towing or transporting service, be sure to ask if they have a flatbed trailer, loading ramp or power ramp to safely lift the vehicle and tie-down straps. Ensure the vehicle is properly transported as specified in this section.

### NOTICE

Do not tow this vehicle behind a car or other vehicle — towing can seriously damage the vehicle's drive system.

### NOTICE

Avoid using chains to tie the vehicle — they may damage the surface finish or plastic components.

### WARNING

To avoid severe injury or death or important components damages.

- Never use the winch cable/rope to retain a vehicle during trailering.
- Never ride with the winch cable/rope attached to a load or another vehicle.
- Only use the winch to help a stuck vehicle (snow, mud, etc.).
- Always refer to the winch manufacturer's instruction before pulling loads.

### WARNING

Make sure seat, accessories and cargo are properly secured, or remove it to prevent from falling on the road and creating a hazard for following vehicles.

## SAFETY INFORMATION



### WARNING

Always transport the vehicle facing forward to avoid damaging the windshield or other components. Parts may detach during transport.



### WARNING

Before attempting to mount vehicle onto a platform or a trailer, make sure to respect the following safety precautions.

### SAFETY PRECAUTIONS

Carrying equipment	The carrying item (platform or trailer or flat bed) must be of appropriate dimensions and capacity to safely support and transport the vehicle.
Hauling vehicle	Do not exceed vehicle hauling capacity and specifications. Ensure the trailer or platform is properly secured to the hauling vehicle hitch.
Visibility	Ensure you have a good visibility during the entire maneuver.

---

<b><i>SAFETY PRECAUTIONS</i></b>	
Terrain	The hauling vehicle and trailer must be on a leveled surface. Use wheel chocks on trailer and hauling vehicle to avoid any movement.
Ramps	Use ramps with proper rating and secure ramps to the trailer or platform. Avoid steep ramps.

<b><i>SAFETY PRECAUTIONS</i></b>	
Bystanders	Always make sure bystanders are not close to the vehicle or the trailering equipment while climbing up.
Seat and Accessories	Make sure the seat, accessories and cargo are properly secured, or remove it to prevent from falling on the road and creating a hazard for following vehicles.

### Using Vehicle Power to Climb Onto Transporting Equipment

**When vehicle can climb on its own power, proceed as follows:**

1. Wear protective gear.
2. Engage the 4WD mode.
3. When driving remain seated at all times.
4. Ensure proper alignment on rails or platform.
5. Start from a sufficient distance from the platform or the trailer to align the vehicle in a straight line with the ramps. Never attempt to turn while getting closer to the ramp. Rear wheels might not be aligned once you get to the ramp and vehicle may fall off.
6. Slowly climb the front wheels onto the ramp to verify alignment.
7. Back off the vehicle, verify ramps are still secure, then proceed at proper speed.

8. Carefully drive vehicle onto platform or trailer. Use sufficient speed to climb without spinning or abruptly accelerating. Avoid acceleration while on ramps to prevent ramps movement.
9. If trailer is inclined towards front, simply let vehicle roll in without acceleration.
10. Once vehicle is climbed, put shift lever to Park and engage the brake lock lever.

**When vehicle cannot move on its own power, or in case overshooting is a risk or if any dangerous condition prevents for embarking on its own power, proceed using a winch.**

---

## Using a Winch to Pull Vehicle Onto Transporting Equipment

When vehicle cannot climb on its own power, proceed as follows:

 **WARNING**

Have the help of an assistant. One person should be on the vehicle to have access to vehicle handlebar, brakes and winch switch, while the other person controls the environment and safety of the maneuver.

 **WARNING**

Ensure the winch hook can be safely attached to a proper anchoring point. Use proper rigging.

1. Place shift lever to NEUTRAL (N).

2. If the vehicle is equipped with a winch and can be started safely, use the winch to roll the vehicle on the platform or trailer.

 **NOTE**

The vehicle will auto-shut down after 3.5 minutes of inactivity. With the vehicle still on neutral position, press the **Start** button to keep the vehicle awoken to avoid draining the 12V battery.

3. If the vehicle is not equipped with a winch, proceed as follows:
1. Attach strap to lower front bumper anchor.
  2. Attach the strap to the winch cable of the towing vehicle.
  3. Pull the vehicle on the platform or trailer with the winch.
  4. Put shift lever to Park and engage the brake lock lever.

## Securing Vehicle for Transport

### WARNING

To avoid severe injury or death or important components damages.

- Never use the winch cable/rope to retain a vehicle during trailering.
- Never ride with the winch cable/rope attached to a load or another vehicle.
- Only use the winch to help a stuck vehicle (snow, mud, etc.).
- Always refer to the winch manufacturer's instruction before pulling loads.

### WARNING

Do not tow this vehicle behind a car or other vehicle. Use a trailer. Never tip this vehicle on end for transporting. The vehicle must be in its normal operating position (on all wheels).

When transporting this vehicle, secure it to a platform, trailer or in pickup box with suitable tie-downs. Use of ordinary ropes is not recommended.

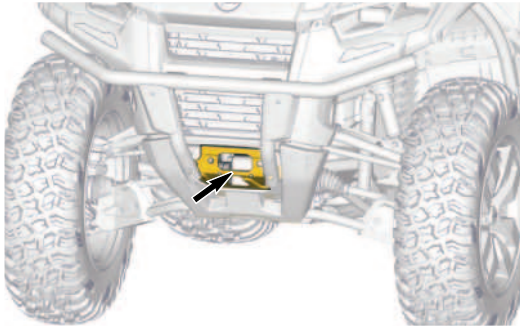
1. Unload vehicle racks before transportation.
2. Ensure seat(s) is/are properly locked in position by pulling back and up several time.
3. Set the shift lever to PARK position.
4. Engage the brake lock lever.
5. Secure the vehicle by the front and rear attachment points, using suitable tie-downs.

### WARNING

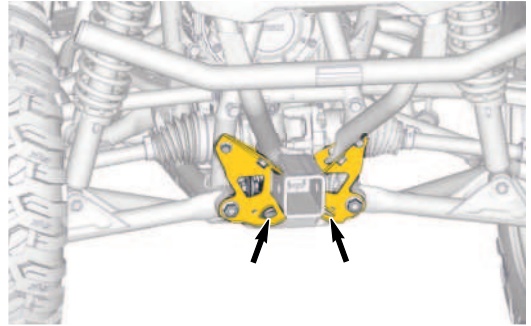
Make sure all seats, accessories and cargo are properly secured, or remove it to prevent from falling on the road and creating a hazard for following vehicles.

**NOTICE**

Securing vehicle at other locations may damage the vehicle.



**Front attachment point**



**Rear attachment point**

## Getting Vehicle Out of Trailer

**⚠ WARNING**

Vehicle may have moved during transport. Ensure vehicle is properly aligned with ramps before proceeding.



### WARNING

Visibility will be greatly reduced when backing off from the trailer. Have the help of an assistant to ensure proper alignment and safe environment.

## Pushing or Pulling the Vehicle

### WARNING

Never transport this vehicle with the shift lever in High (H) or Low (L) positions, the shift lever must be set to the Neutral (N). If the Neutral (N) position cannot be selected and the shift lever is stuck in the High (H) or Low (L) position, never allow the vehicle propulsion system to rotate at a speed higher than 10 km/h (6 mph). This can cause the motor to generate a voltage which can do significant damage, cause the motor to overheat and cause the vehicle to have erratic behavior. In rare cases, extreme overheating can ignite surrounding components.

If the vehicle cannot be lifted onto the flatbed, or if a flatbed is not available and the vehicle must be recovered, it may be winched or temporarily towed at slow speed by putting the shift lever on **Neutral (N)**, using a tow rope attached to the front recovery hook. Refer to [Recovery Hooks Location, page 3-63](#).

---

## **SAFETY INFORMATION ON THE VEHICLE**

This vehicle comes with hang tags and labels containing important safety information.

Any person who rides this vehicle should read and understand this information on the vehicle before riding.

In the event of any discrepancy between this guide and the vehicle, the safety labels on the vehicle have precedence over the labels in this guide.

### **Important On-Product Labels (All Countries except Canada/United States)**

This vehicle comes with a hang tag and labels containing important safety information.

Any person who rides this vehicle should read and understand this information before riding.

### Safety Pictogram

Read and understand all the safety labels on your vehicle.

These labels are affixed to the vehicle for the safety of the operator, passenger (2-UP) or bystanders.

The safety labels on your vehicle should be considered permanent parts of the vehicle.

If missing or damaged, they can be replaced free of charge. See an authorized Can-Am Off-road dealer.

#### IMPORTANT

In the event of any discrepancy between this guide and the vehicle, the safety labels on the vehicle have precedence over the labels in this guide.

---

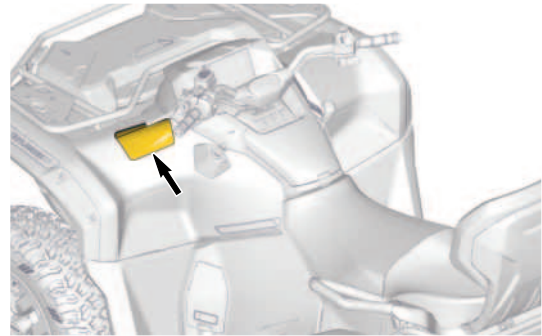
## General Warning Label

### 1-UP Models



#### WARNING

- Locate and read operator's guide. Improper ATV use can result in SEVERE INJURY or DEATH. Follow all instructions and warnings.
- Reduce speed on roads.
- Distribute weight and cargo evenly on the vehicle, refer to operator's guide.
- Watch the safety video before riding.
- Always wear ear protection.
- Always use an approved helmet and protective gear.
- Never carry a passenger on this 1-up vehicle.
- Never use with drugs or alcohol.



2

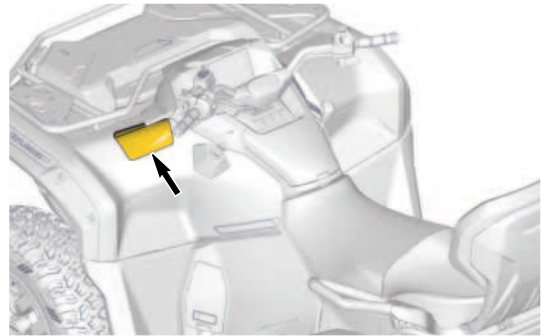
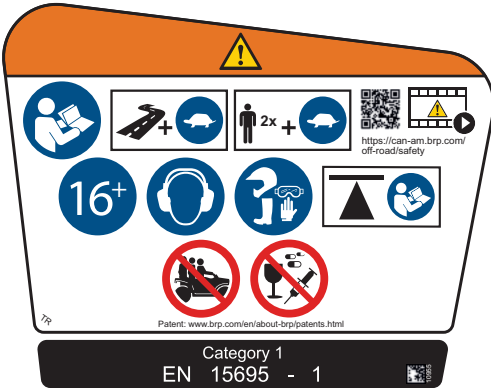
---

## 2-UP Models



### WARNING

- Locate and read operator's guide. Improper ATV use can result in SEVERE INJURY or DEATH. Follow all instructions and warnings.
- Reduce speed on roads.
- Watch the safety video before riding.
- Reduce speed when riding with a passenger.
- Always wear ear protection.
- Always use an approved helmet and protective gear.
- Never carry more than one passenger on this 2-up vehicle.
- Never use with drugs or alcohol.
- Distribute weight and cargo evenly on the vehicle, refer to operator's guide.

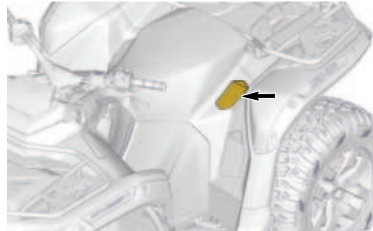


## Passenger Warning Label

### 1-UP Models

#### WARNING

- Locate and read operator's guide. Improper ATV use can result in SEVERE INJURY or DEATH. Follow all instructions and warnings.
- Never carry a passenger on this 1-up vehicle.

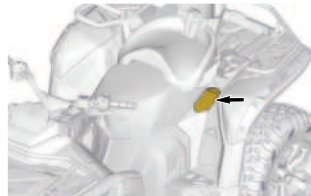




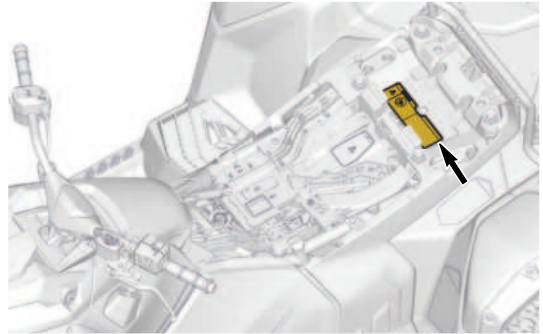
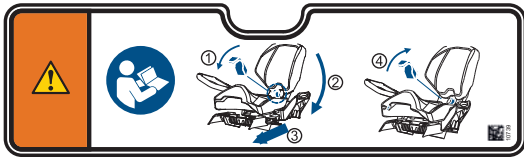
## 2-UP Models

### WARNING

- Locate and read operator's guide. Improper ATV use can result in SEVERE INJURY or DEATH. Follow all instructions and warnings.
- Passenger on 2-up models must always use an approved helmet and protective gear.
- Never carry more than one passenger on this 2-up vehicle.
- Passenger on 2-up models must NEVER ride after using drugs or alcohol.



## 2-UP Models



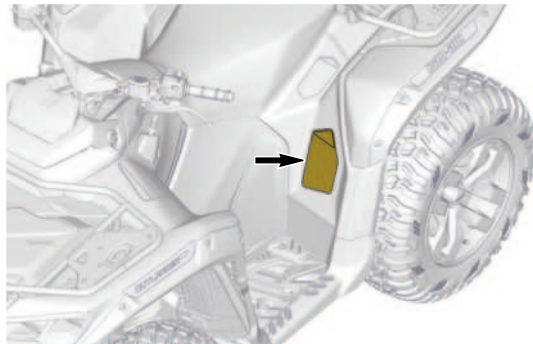
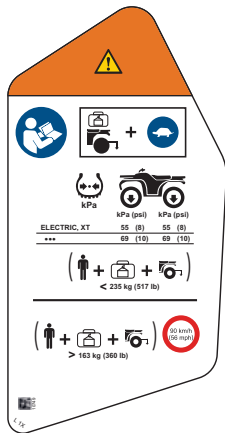
## Tire Pressure and Maximum Load - Warning Label

### 1-UP Models

2

#### WARNING

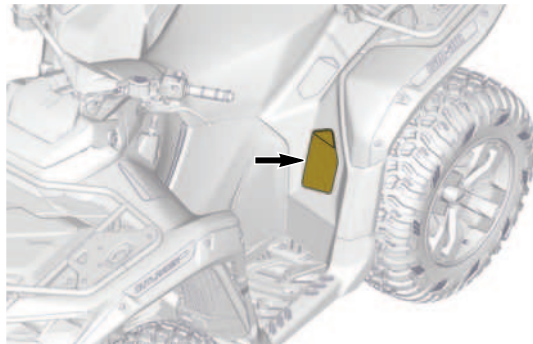
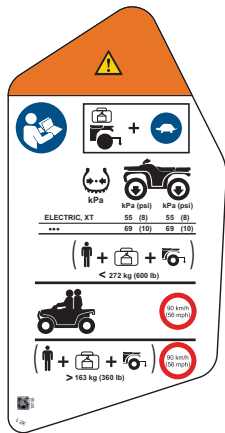
- Locate and read operator's guide.
- Reduce speed when carrying cargo or pulling a load.
- ALWAYS maintain proper tire pressure as shown. Improper tire pressure or overloading can cause loss of control, resulting in SEVERE INJURY or DEATH.
- NEVER exceed the load capacity of 235 kg (517 lb) including weight of operator, cargo, accessories, and trailer tongue weight.
- NEVER exceed 90 km/h (56 MPH) if total load is more than 163 kg (360 lb).



## 2-UP Models

 **WARNING**

- Locate and read operator's guide.
- Reduce speed when carrying cargo or pulling a load.
- ALWAYS maintain proper tire pressure as shown. Improper tire pressure or overloading can cause loss of control, resulting in SEVERE INJURY or DEATH.
- NEVER exceed the load capacity of 272 kg (600 lb) including weight of operator, cargo, accessories, and trailer tongue weight.
- NEVER exceed 90 km/h (56 MPH) when carrying a passenger.
- NEVER exceed 90 km/h (56 MPH) if total load is more than 163 kg (360 lb).



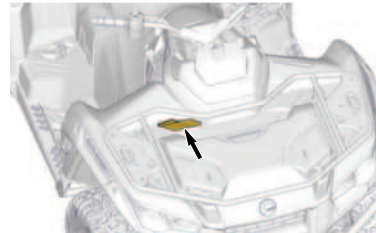
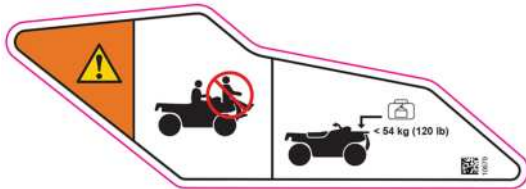
## Maximum Racks Loading - Warning Label

### Front Rack

2

#### WARNING

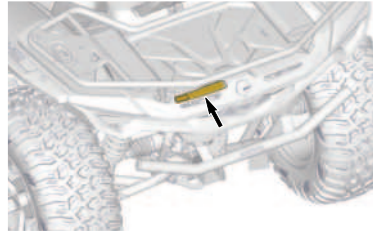
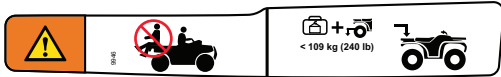
- NEVER carry a passenger on racks.
- MAXIMUM REAR LOAD: 54 kg (120 lb) evenly distributed.



## Rear Rack

### WARNING

- NEVER carry a passenger on racks.
- MAXIMUM REAR LOAD: 109 kg (240 lb) evenly distributed (including trailer tongue weight if applicable).

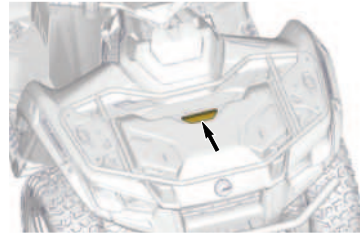




## Front Load - Warning Label

### WARNING

- Locate and read operator's guide.
- **MAXIMUM LOAD: 13 kg (30 lb) on the cover.**



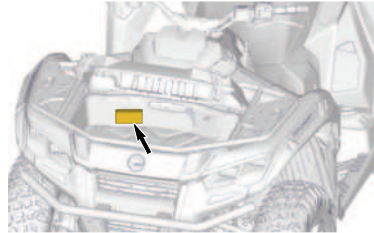
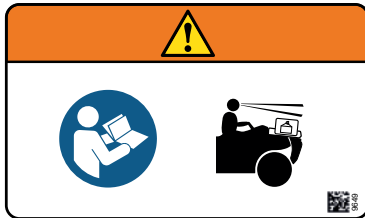
## Front Storage Compartment Load - Warning Label



NEVER exceed the cargo and vehicle's load capacities.

For maximum loads specifications, refer to labels on the vehicle or to the operator's guide.

Ensure that the load does not interfere with the operator's vision, and evenly distributed and secured.

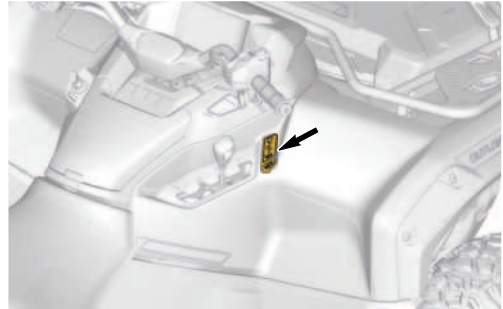
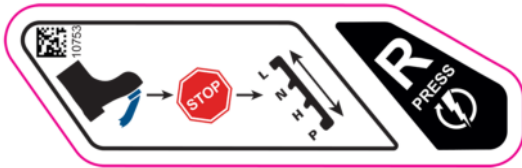


## Shifting Procedure – Notice Label

### NOTICE

2

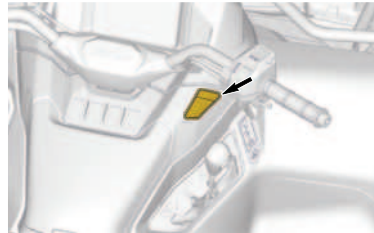
This vehicle must be stopped before shifting lever. ALWAYS apply brakes to shift between shift lever positions.



## Towing - Warning Label



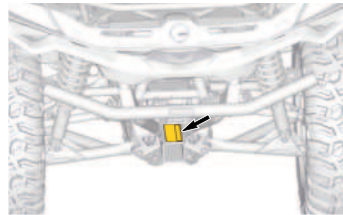
This vehicle must be towed in neutral (N) in order to avoid any risk of permanent power unit damage or the possibility of catching fire.



## Tongue Weight — Warning Label

### WARNING

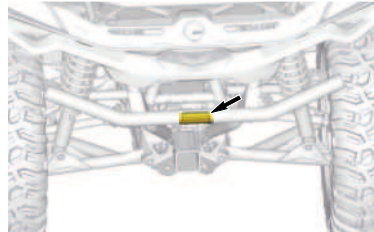
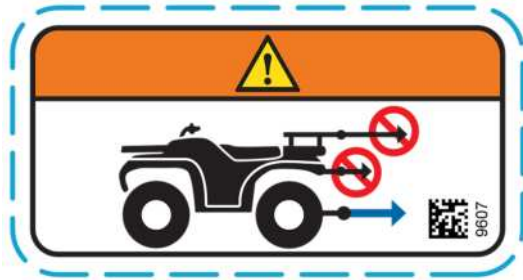
- NEVER exceed the towing capacity
  - With brakes: 830 kg (1,830 lb) or 8 140 N.
  - Unbraked: 394 kg (870 lb) or 3 870 N.
- NEVER exceed the tongue capacity: 83 kg (183 lb) or 814 N.



## Pulling a Load (Rear Bumper) — Warning Label



NEVER attach to the bumper or on the luggage rack to pull a load. This can cause the vehicle to tip over.  
ALWAYS use the trailer hitch or the recovery hook to pull a load.



## Winch Installation — Warning Label

### WARNING

NEVER install any electric accessories to these locations.

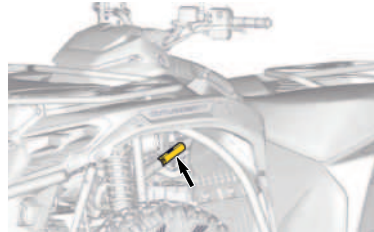
NEVER ground (-) winch to frame or fuse box.

ALWAYS supply (+) and ground (-) winch directly to the battery posts.

Doing otherwise may cause permanent vehicle power unit damage or the possibility of catching fire.

See an authorized Can-Am Off-road dealer for Installation.

2







## High Voltage - Warning Label



To avoid electric shock that could lead to severe injury or death:

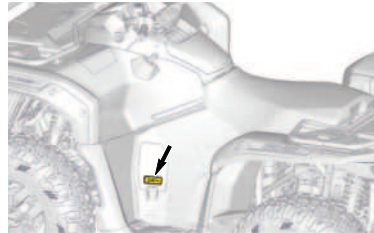
Never service the High Voltage (HV) system yourself. The HV system requires special tools, appropriate personal protective equipment and training. The HV system must be serviced only by a qualified Bombardier Recreational Products technician.



## Charging Port - Warning Pictogram



- ALWAYS use the specified charging cable.
- Press and hold latch for 1 second before removing the charging connector.
- Close cap after charging.



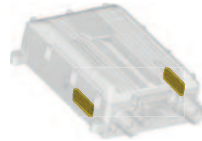
## High-Voltage Safety Labels

### Electric Shock Label

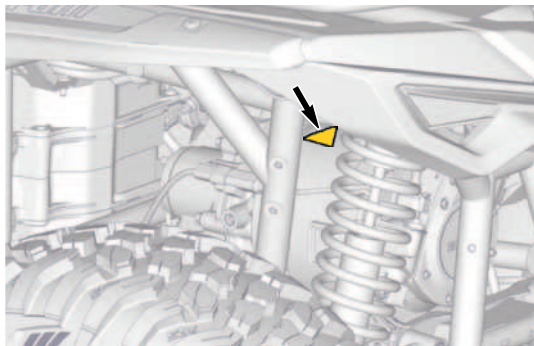
2

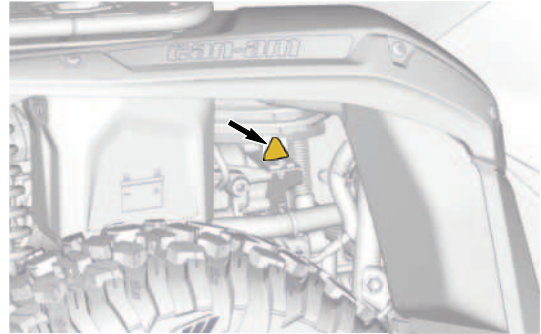
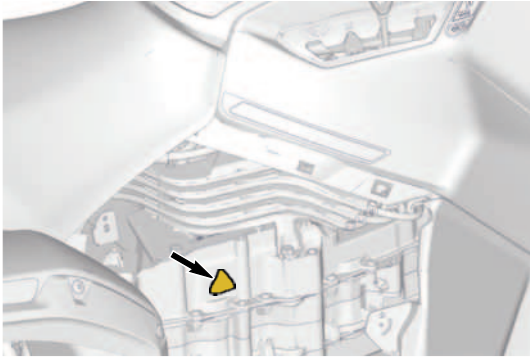


**Inverter**



**On-Board Charger**





---

## Battery Warning Labels

### Label Text



#### **High voltage inside**

To avoid the risk of **SERIOUS INJURY** or **DEATH** from **ELECTRIC SHOCK**, **ARC FLASH** or **FIRE**, always follow these precautions:

**NEVER** attempt to open, modify or disassemble this battery pack. This battery pack is not serviceable.

**NEVER** use this battery pack for other than its intended purpose in this vehicle.

**NEVER** puncture or expose this battery pack to impact.

**NEVER** expose this battery pack to fire or a source of heat.

**NEVER** submerge this battery pack in any liquid.

**NEVER** dispose of this battery pack illegally. Recycling or disposal of lithium-ion batteries requires special facilities. Improper disposal of this battery pack may also result in environmental damage.

**NEVER** come in contact with a leaking battery pack.

**ALWAYS** keep out of reach of children.

**ALWAYS** follow applicable laws and regulations when transporting, packaging, and storing this battery pack.

To Qualified EV Technicians: For replacement of this battery pack, follow the repair manual.



**Li-ion**



CE 138RES - 000001

▲ DANGER

High voltage inside










To avoid the risk of SERIOUS INJURY or DEATH from ELECTRIC SHOCK, ARC FLASH or FIRE, always follow these precautions:

- NEVER attempt to open, modify or disassemble this battery pack.
- This battery pack is not serviceable.
- NEVER use this battery pack for other than its intended purpose in this vehicle.
- NEVER puncture or expose this battery pack to impact.
- NEVER expose this battery pack to fire or a source of heat.
- NEVER submerge this battery pack in any liquid.
- NEVER dispose of this battery pack illegally. Recycling or disposal of lithium-ion batteries requires special handling. Improper disposal of this battery pack may also result in environmental damage.
- NEVER connect or connect with a loading battery pack.
- ALWAYS keep out of reach of children.
- ALWAYS follow applicable laws and regulations when transporting, packaging, and storing this battery pack.

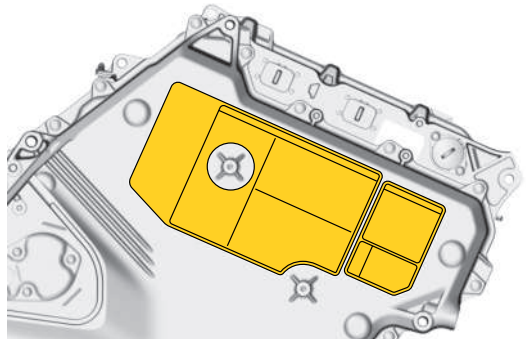
To Qualified EV Technicians: For replacement of this battery pack, follow the repair manual.

Haute tension à l'intérieur

Pour éviter les risques de BLESSURES GRAVES ou de MORTS dus à un CHOC ÉLECTRIQUE, un ARC ÉLECTRIQUE ou un INCENDIE, suivez toujours les précautions suivantes:

- NE JAMAIS tenter d'ouvrir, de modifier ou de démontez cette batterie.
- Cette batterie n'est pas réparable.
- NE JAMAIS utiliser cette batterie à d'autres fins que celle prévue dans ce véhicule.
- NE JAMAIS tenter de percer cette batterie à un impact.
- NE JAMAIS exposer cette batterie au feu ou à une source de chaleur.
- NE JAMAIS immerger cette batterie dans aucun liquide.
- NE JAMAIS jeter cette batterie illégalement. Le recyclage ou l'élimination des batteries lithium-ion nécessite des manipulations spéciales. L'élimination inappropriée de cette batterie peut également entraîner des dommages à l'environnement.
- NE JAMAIS connecter ou connecter avec une batterie qui fuit.
- TOUJOURS garder hors de la portée des enfants.
- TOUJOURS respecter les lois et réglementations applicables lors du transport, de l'emballage et de l'emmagasinement de cette batterie.

Aux techniciens qualifiés en VE: Pour remplacer cette batterie, suivez le manuel de réparation.



---

## High Voltage Warning Labels

### Label Text



To avoid electric shock that could lead to severe injury or death:

NEVER service the High Voltage (HV) system yourself. HV system requires special tools, appropriate personal protective equipment and training. The HV system must be serviced only by a qualified Bombardier Recreational Products technician.



**▲WARNING / AVERTISSEMENT**

To avoid electric shock that could lead to severe injury or death:

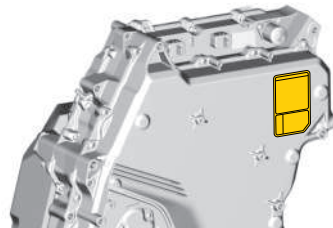
- NEVER service the High Voltage (HV) system yourself. HV system requires special tools, appropriate personal protective equipment and training. The HV system must be serviced only by a qualified Bombardier Recreational Products technician.

**Pour éviter un choc électrique qui pourrait entraîner des blessures graves ou la mort:**

- NE JAMAIS entretenir soi-même le système Haute Tension (HT). Le système HT nécessite des outils spéciaux, un équipement de protection individuel et une formation appropriés. Le système HT doit être entretenu exclusivement par un technicien qualifié par Bombardier Produits Récréatifs.



0019  
0019



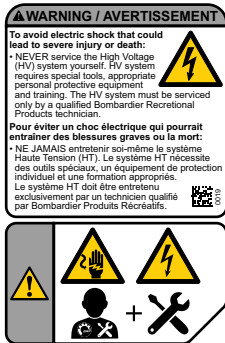
**▲WARNING / AVERTISSEMENT**

To avoid electric shock that could lead to severe injury or death:

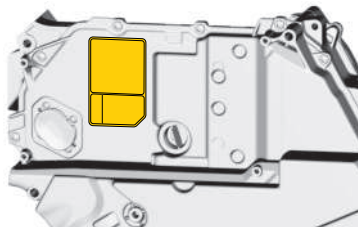
- NEVER service the High Voltage (HV) system yourself. HV system requires special tools, appropriate personal protective equipment and training. The HV system must be serviced only by a qualified Bombardier Recreational Products technician.

**Pour éviter un choc électrique qui pourrait entraîner des blessures graves ou la mort:**

- NE JAMAIS entretenir soi-même le système Haute Tension (HT). Le système HT nécessite des outils spéciaux, un équipement de protection individuel et une formation appropriés. Le système HT doit être entretenu exclusivement par un technicien qualifié par Bombardier Produits Récréatifs.



The warning label features a black border and contains the following elements: a lightning bolt symbol in a yellow triangle at the top right; a QR code at the bottom right; and a bottom section with a grey background on the left containing a warning triangle with an exclamation mark, a hand symbol with a lightning bolt, and a lightning bolt symbol in a yellow triangle. Below these symbols is a silhouette of a person wearing a hard hat and safety vest, followed by a plus sign and a wrench and screwdriver icon.



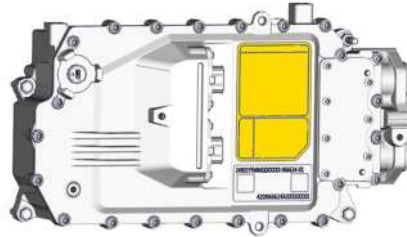



**▲WARNING / AVERTISSEMENT**

To avoid electric shock that could lead to severe injury or death:

- NEVER service the High Voltage (HV) system yourself. HV system requires special tools, appropriate personal protective equipment and training. The HV system must be serviced only by a qualified Bombardier Recreational Products technician.

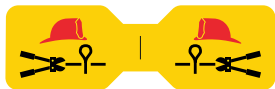
**Pour éviter un choc électrique qui pourrait entraîner des blessures graves ou la mort:**

- NE JAMAIS entretenir soi-même le système Haute Tension (HT). Le système HT nécessite des outils spéciaux, un équipement de protection individuel et une formation appropriés. Le système HT doit être entretenu exclusivement par un technicien qualifié par Bombardier Produits Récréatifs.

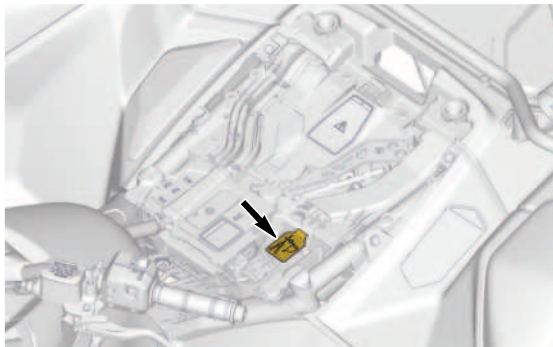


---

## First Responder Cut-Loop Label



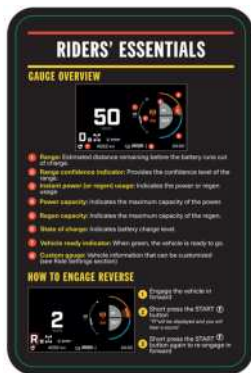
FRCL Label



## Vehicle Quick Reference Card

The vehicle quick reference card is located glove box. Always keep the card in the vehicle glove box for quick reference.

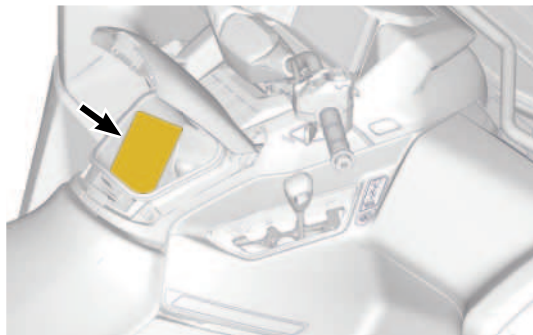
2



RECTO



VERSO



---

## REPORTING SAFETY DEFECTS

In Canada, if you believe that your vehicle has a defect which could cause a crash or could cause injury or death, you should immediately inform Transport Canada in addition to notifying Bombardier Recreational Products Inc.

If Transport Canada receives similar complaints, it may open an investigation, and if it finds that a safety defect exists in a group of vehicles, it may order a recall and remedy campaign. However, Transport Canada cannot become involved in any individual problems between you, your dealer or Bombardier Recreational Products Inc.

### *To contact Transport Canada:*



819-994-3328 (Gatineau-Ottawa  
area or internationally)  
Toll free : 1 800-333-0510 (in  
Canada)



Transport Canada - ASFAD  
330 Sparks Street  
Ottawa, ON  
K1A 0N5



<https://www.tc.gc.ca/recalls>

## PRE-RIDE INSPECTION

### Pre-Ride Checklist

We encourage you to have periodic checks and follow the maintenance schedule of your vehicle. Though not required, it is recommended that an authorized Can-Am Off-Road dealer performs the preseason preparation of your vehicle. Each visit is a great opportunity for your dealer to verify if your vehicle is included in any warranty safety recall or has applicable software updates. We also urge you to visit your authorized Can-Am Off-Road dealer in a timely manner if you become aware of any safety recall campaigns.

2

**DANGER**

Risk of **SERIOUS INJURY** or **DEATH** from **ELECTRIC SHOCK**, **ARC FLASH** or **FIRE**.

The vehicle's high-voltage propulsion system is a self contained system.

- Do not tamper with the high-voltage components in any way.
- The user safety is ensured as long as the high-voltage components are not manipulated and/or modified while the vehicle is activated.
- BRP strongly recommends tasks involving the high-voltage propulsion system to be performed by an authorized BRP dealer.

 **WARNING**

Avoid electric shock that could lead to severe injury or death when performing inspections, maintenance works, or adjustment procedures.

- Procedures not described in the following sections require special tools and thorough knowledge of the technology involved.
- Do not perform tasks that deviates from those contained in this operator's guide.
- Always perform inspections, maintenance and/or adjustment tasks described in the following sections with the vehicle charging cable disconnected, the stop switch in the OFF position and the vehicle key removed, unless otherwise stated.
- Usage of personal protective equipment (PPE), such as safety glasses and shoes, is recommended.

 **WARNING**

Perform a pre-ride inspection before each ride to detect potential problems during operation. The pre-ride inspection can help you monitor wear and deterioration before they become a problem. Correct any problems that you discover to reduce the risk of a breakdown or crash. See an authorized Can-Am Off-Road dealer as necessary.



## Before Activating the Vehicle, Inspect the Following:

<i>Items</i>	<i>Procedure</i>	✓
Accessories (If equipped)	Ensure that the accessories are properly latched.	
Accelerator lever	Activate accelerator lever several times to ensure it operates freely. It must return to its original position when released.	
Brake fluid	Inspect and adjust brake fluid level	
Brake lock lever	Depress the brake lever, engage the brake lock lever and check if it operates properly	
Cargo	If you transport a cargo, respect the load capacity. Refer to <a href="#">Loading the Cargo Racks, page 2-92</a> . Ensure cargo is properly secured to the racks	
	If you are pulling a trailer or another equipment: <ul style="list-style-type: none"> <li>• Check hitch and trailer ball condition</li> </ul>	

<i>Items</i>	<i>Procedure</i>	✓
	<ul style="list-style-type: none"> <li>• Respect the tongue capacity and towing capacity as indicated on the label affixed to the hitch or refer to <a href="#">6 Technical Specifications, page 6-2</a>.</li> <li>• Ensure trailer is properly secured to hitch.</li> </ul>	
Chassis and suspension	Check underneath vehicle for any debris on chassis or suspension components and clean them properly	
Coolant	Check coolant level	
Drive shaft bellows	Check drive shaft bellows and protectors condition	
Leaks	Visually inspect the brakes, suspension, shock absorbers and coolant for any leaks.	
Radiator	Check cleanliness of the radiator	
Seats	Ensure the seat is properly locked in position by pulling (the front and the rear), back and up several time. Even if a distinctive snap is heard during the installation, always pull it back and up to confirm proper installation.	

## SAFETY INFORMATION

<i>Items</i>	<i>Procedure</i>	✓
	Check the passenger backrest and grab handles condition (2-UP Models)	
Storage compartment	Check if the front storage compartment is properly latched.	
Tires	Check tire pressure and condition. Refer to the <a href="#">Tire Pressure Verification, page 4-62</a> label and adjust according to load.	
Wheels	Check wheels for damage and for abnormal play, and check lug nuts are tightened. Refer to <a href="#">Tire Pressure Verification, page 4-62</a> in <a href="#">4 MAINTENANCE, page 4-2</a> for torque specification.	

2

---

## Activate the Vehicle and Check the Following:

<i>Items</i>	<i>Procedure</i>	✓
Brakes	Drive forward slowly a few feet and apply brake lever and brake pedal individually. The brakes must fully apply. Lever and pedal must fully return when released.	
Lights	Check operation and cleanliness of: <ul style="list-style-type: none"><li>• Headlights (High and Low)</li><li>• Taillights</li><li>• Brake lights</li><li>• Turn signal lights</li><li>• Position lights</li><li>• Hazard lights.</li></ul>	
Horn	Check the operation of the horn. (If equipped)	
Multifunction display	Check indicators, messages and the vehicle state of charge.	

## SAFETY INFORMATION

<i>Items</i>	<i>Procedure</i>	✓
RF D.E.S.S. Post	Check if D.E.S.S. post is working properly by pulling the D.E.S.S. key from the D.E.S.S. post to turn off the vehicle. Reinstall the D.E.S.S. key and restart the vehicle.	
Shift lever	Check operation of shift lever (P, H, N and L).	
Steering	Check if steering operates freely by completely turning it from side to side.	
Stop switch	Check that the stop switch is working properly.	
2WD/4WD selector	Check operation of all modes: <ul style="list-style-type: none"><li>• 2WD</li><li>• 4WD</li></ul>	



### 3 VEHICLE INFORMATION - TABLE OF CONTENTS

<b>PRIMARY CONTROLS</b> .....	<b>3-3</b>	Console Light .....	3-40
Handlebar .....	3-4	12-Volt Power Outlet .....	3-41
Accelerator Lever .....	3-5	Glove Box .....	3-42
Brake Lock Lever .....	3-7	Footpegs .....	3-43
Brake Lever .....	3-9	Front Storage Compartment .....	3-45
Brake Pedal .....	3-10	Passenger Backrest .....	3-48
RF D.E.S.S. Key and Post .....	3-11	Passenger Grab Handles .....	3-49
<b>SECONDARY CONTROLS</b> .....	<b>3-15</b>	Passenger Seat .....	3-50
Hazard Button .....	3-16	Seat .....	3-52
Left Multifunction Switch .....	3-17	Side Panel .....	3-56
Right Multifunction Switch .....	3-22	Recovery Hooks .....	3-63
Shift Lever .....	3-25	Tool Kit .....	3-65
<b>EQUIPMENT</b> .....	<b>3-28</b>	Trailer Hitch .....	3-67
Cargo Racks .....	3-29	Trailer Harness Connector .....	3-68
Charging Port Light .....	3-30	Trailer Hitch Draw Bar .....	3-69
Console .....	3-31	<b>MULTIFUNCTION DISPLAY</b> .....	<b>3-73</b>

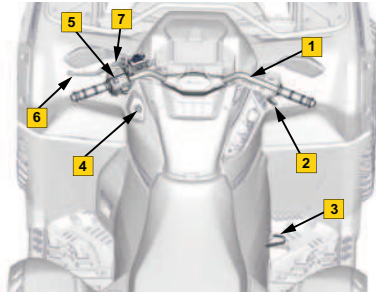
### **3 VEHICLE INFORMATION - TABLE OF CONTENTS**

---

Multifunction Display Location . . . . .	3-73	Changing Gear Selection . . . . .	3-142
Multifunction Display Operation . . . . .	3-74	Drivetrain Traction Modes . . . . .	3-142
Multifunction Display Configuration . . . . .	3-103	Dynamic Power Steering (DPS) Modes . . . . .	3-144
<b>ELECTRIC VEHICLE (EV) OVERVIEW . . . . .</b>	<b>3-111</b>	Engine Modes . . . . .	3-146
High Voltage Components . . . . .	3-111	Speed Override Function . . . . .	3-147
Charging Port . . . . .	3-112	Regen Modes . . . . .	3-148
Lithium-Ion High-Voltage Propulsion Battery . . . . .	3-116	Speed Limiter Mode . . . . .	3-149
Vehicle Recharge . . . . .	3-124	Parking the Vehicle . . . . .	3-152
<b>OPERATING THE VEHICLE . . . . .</b>	<b>3-136</b>	<b>BREAK-IN PERIOD . . . . .</b>	<b>3-153</b>
Vehicle Preconditioning . . . . .	3-136	Brakes . . . . .	3-153
Starting the Vehicle . . . . .	3-136	<b>TUNE YOUR RIDE . . . . .</b>	<b>3-154</b>
Ready to Move . . . . .	3-139	Suspension Adjustments . . . . .	3-155
How to Engage Reverse . . . . .	3-141		



## PRIMARY CONTROLS



1. *Handlebar*
2. *Accelerator lever*
3. *Brake pedal*
4. *RF D.E.S.S. post or ignition switch*
5. *Run / Stop switch*
6. *Brake lever*
7. *Brake lock lever*

While reading this Operator's Guide, remember that:



**WARNING**

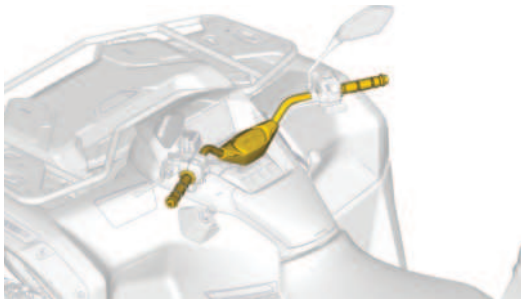
Indicates a potential hazard which, if not avoided, could result in serious injury or death.

---

## Handlebar

### Handlebar Location

The handlebar is located on the top end of the steering column of the vehicle.



### Handlebar Operation

The handlebar controls the steering of the vehicle.

As the handlebar is rotated to right or left, the front wheels are turned in this direction to steer the vehicle.



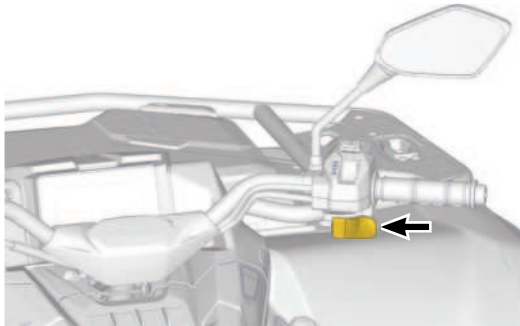
**WARNING**

Fast reverse while turning, could result in loss of stability and control.

### Accelerator Lever

#### Accelerator Lever Location

The accelerator lever is located on the RH side of the handlebar.



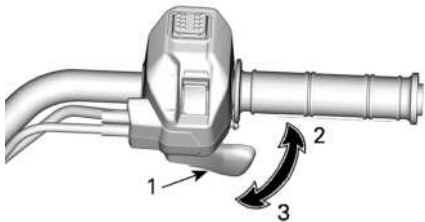
### Accelerator Lever Operation

This controls the vehicle's speed by controlling the electric motor.

To increase or maintain vehicle speed, press the accelerator lever with your right thumb.

---

To decrease vehicle speed, release the accelerator lever.



### Typical

1. Accelerator lever
2. To accelerate
3. To decelerate

The acceleration responsiveness can be adjusted based on user preferences. Refer to [Engine Modes, page 3-146](#) for more information.

To decelerate, release the accelerator lever.

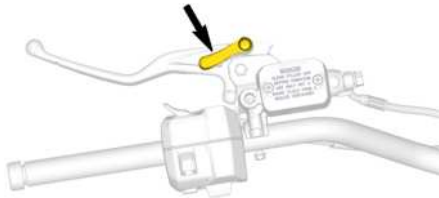
When decelerating, energy is returned automatically to the high voltage battery. The level of returned energy and deceleration depends on battery temperature, battery state of charge, but also the regen mode selected.

Regen responsiveness can be adjusted based on user preference. Refer to [Regen Modes, page 3-148](#) for more information.

### Brake Lock Lever

#### Brake Lock Lever Location

The brake lock lever is located on top of the brake lever.



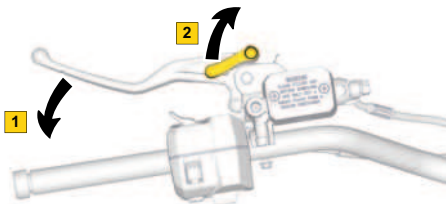
### Brake Lock Lever Operation

Engage the brake lock whenever the vehicle is parked.

The brake lock lever can be engaged by squeezing the brake lever and moving the brake lock lever to a locking position.

#### NOTE:

The brake lock lever can be set to several positions.



1. Apply brakes
2. Lock brakes

When engaged, the brake lock lever maintains the brakes fully applied **on the front and rear wheels** to prevent the vehicle from moving.

#### NOTICE

When the brake lock lever is applied, make sure the vehicle stays securely in place.

To unlock the brake lock lever, simply squeeze the brake lever. It should return to the rest position.

#### WARNING

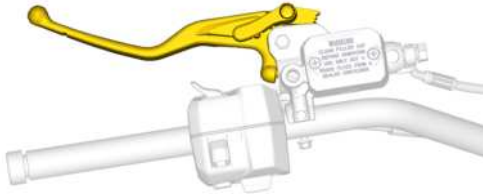
Make sure brake lock lever is released before operating the vehicle.

If brake lock lever is left engaged while riding, it may cause damage to the brake system and cause loss of braking capacity and/or fire.

### Brake Lever

#### Brake Lever Location

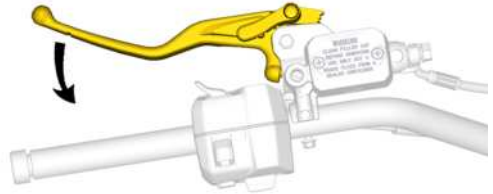
The brake lever is located on the LH side of the handlebar.



#### Brake Lever Operation

The brake lever function is to slow down or stop the vehicle.

When the brake lever is compressed, the front and rear brakes are applied.



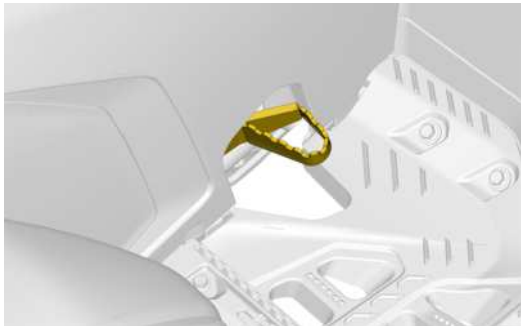
Braking effect is proportional to the force applied on the lever.

---

## Brake Pedal

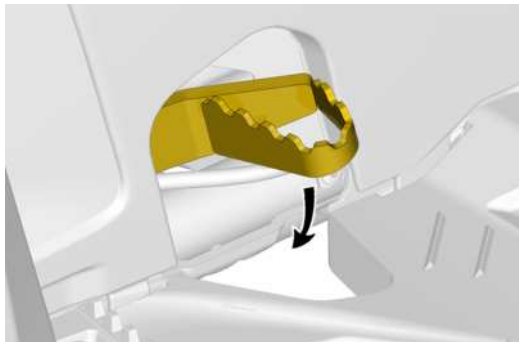
### Brake Pedal Location

The brake pedal is located on the RH side footrest.



### Brake Pedal Operation

When the brake pedal is pressed down, the rear brake is applied.



When released, the brake pedal should return to its original position.



Braking effect is proportional to the force applied on the pedal.



*NOTE*

The brake will have also an effect on front wheels through the drive train when 4WD is engaged.

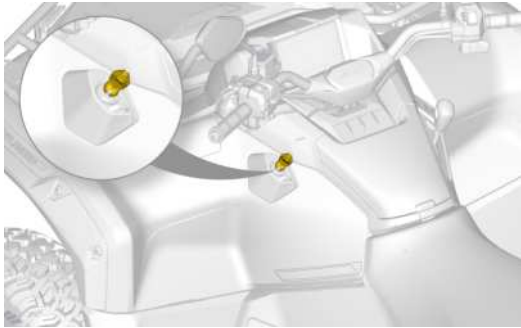
Should the brake lever system fail, the rear brake can be used by depressing the brake pedal.

### RF D.E.S.S. Key and Post

#### RF D.E.S.S. Key and Post Location

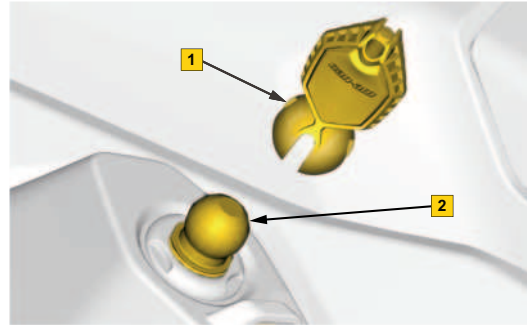
The vehicle D.E.S.S. key should be installed on the D.E.S.S. post only when the vehicle is being operated.

The D.E.S.S. post is located on the LH side of the vehicle, near the steering column.



## RF D.E.S.S. Key and Post Operation

### D.E.S.S. Key



1. D.E.S.S. key

2. D.E.S.S. post

These keys contain an electronic circuit that gives it a unique electronic serial number.

The D. E. S. S. system reads the key code and allows vehicle starting for keys it recognizes.

The vehicle is delivered with 1 key. This key can be programmed as:

- Learning
- Performance, or
- Work.



**NOTE**

Additional keys are available from your dealer as an accessory.

Refer to your authorized Can-Am Off-road dealer for complete information.

### **WARNING**

Rollovers, tipovers, collisions and loss of control resulting in serious injury or death are possible with the performance or normal key. Using the normal key is not a substitute for the operator being prepared, qualified, and operating with care.

### **Learning Key**

The learning key limits the vehicle rate of acceleration using a torque limitation.

### **WARNING**

On steep downhills, the speed limiter may not prevent the vehicle from accelerating beyond this speed.

This key may be useful for riders who prefer more gradual acceleration, or for riding in environments where full speed and high acceleration are not desirable.

### **Performance Key**

---

The performance key allows the user to access the full torque of the e-motor as well as the top speed of the vehicle.

This may be useful for riders who prefer crisper accelerator lever response, and for environments where higher speeds and greater acceleration are appropriate.

### **Work Key**

The work key does not have torque limitation but has a programmable vehicle top speed limitation.

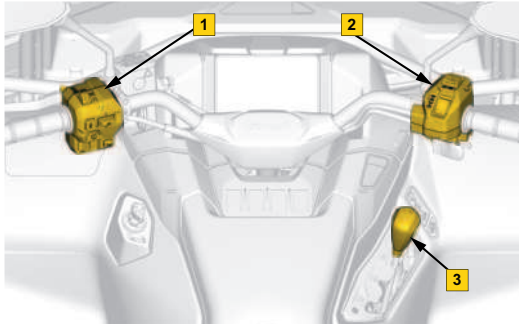
The speed limitation must be determined during the key creation by the dealer. Only the dealer can modify the programmed speed.

### **D.E.S.S. Flexibility**

The D.E.S.S. of your vehicle can be programmed by your authorized Can-Am Off-road dealer to accept up to 8 different keys.

If you have more than one D.E.S.S. equipped Can-Am vehicle, each can be programmed by your authorized Can-Am Off-road dealer to accept the other vehicle D.E.S.S. keys.

## SECONDARY CONTROLS



1. Multifunction switch
2. Accelerator lever control housing
3. Shift lever

While reading this Operator's Guide, remember that:

**! WARNING**

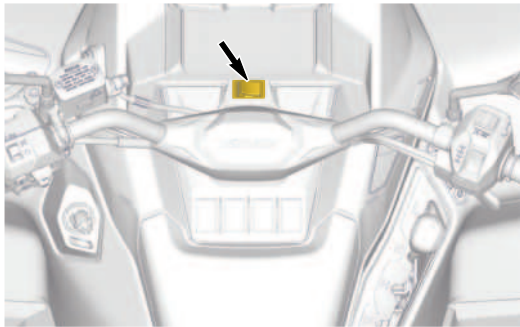
Indicates a potential hazard which, if not avoided, could result in serious injury or death.

---

## Hazard Button

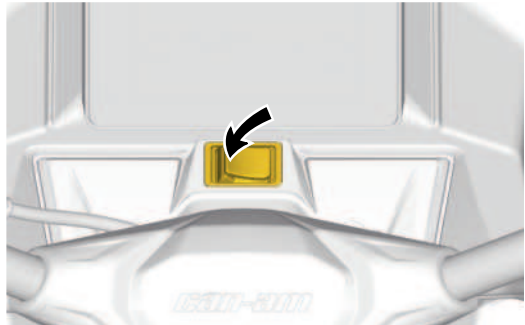
### Hazard Button Location

The hazard button is located on the console.



## Hazard Button Operation

Push the button aside to activate the hazard lights. Push it on the other side to turn off.



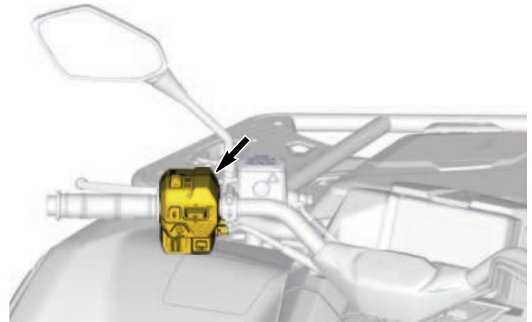
The hazard lights system operates all the turn signals simultaneously. Used when the vehicle is stationary to indicate that the vehicle is temporarily obstructing traffic.

Hazard lights can be activated even when the vehicle electrical system is shut down.

### Left Multifunction Switch

#### Left Multifunction Switch Location

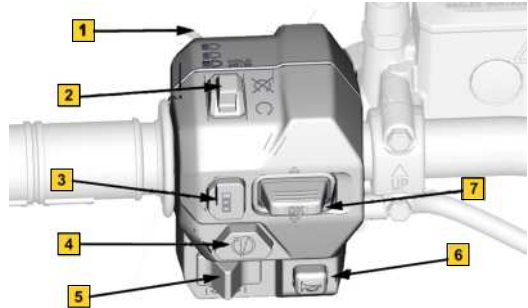
The left multifunction switch is located on the left side handlebar.



## Left Multifunction Switch Operation

The left **multifunction** switch allows the user to control vehicle electrical components such as:

- Flashers
- Headlights
- Horn
- Vehicle high-voltage propulsion system
- Vehicle settings
- Multifunction display menu



1. *Headlights Switch*
2. *Run / Stop Switch*
3. *Ride Setting Button*
4. *Start / Reverse / Override Button*
5. *Flasher Signal Switch*
6. *Horn Button*
7. *Menu Control Switch*



### Flasher Signal Switch



The **flasher signal** switch is used to activate the turn signal.

Move the switch to the left to activate LH turn signals and to the right to activate RH turn signals.


To stop the turn signals, move the switch back to the middle position.

### Headlights Switch

The **headlights** switch is located on the back of the left multifunction switch.



The switch is used to activate and deactivate the high beams. The low beams automatically turn on when the vehicle is activated and turn off when the vehicle is turned off.

The icon  will appear inside the multifunction display when the headlight is turned on.

---

To activate high beams, push the switch to the front position. To deactivate high beams, push the switch backward to the neutral position.

To flash the high beams, press the switch fully in, then release it. The high beams will stay on as long as you hold down the switch and will return to low beams once the neutral position is restored.

### **Horn Button**



Push the button to use the horn. It will stop when the button is released.

### **Menu Control Switch**



Move the button up or down to navigate through the multifunction display menu and options.

Press in the button to accept a choice or a command.

### Ride Setting Button

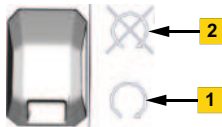


Short press the **Ride Setting** button, while riding or at a stop, to change information displayed in the custom gauge. Refer to [Custom Gauge, page 3-78](#) for more details.

Long press **Ride Setting** button, while at a stop, to access multifunction display menu. Refer to [Multifunction Display Configuration, page 3-103](#) for more details.

### Run/Stop Switch

The **run/stop** switch is used to activate and deactivate the vehicle propulsion system.



1. RUN
2. STOP

The **run/stop** switch must be in RUN (on) (1) for vehicle propulsion system activation. It deactivates the propulsion system when in OFF (2).

---

## Start/Reverse/Override Button



The start button is used to start the vehicle and change from Drive to Reverse mode, when depressed.

Ensure the **start** button operates freely and return to its neutral position after being depressed.

Refer to [Operating the Vehicle, page 3-136](#) and [How to Engage Reverse, page 3-141](#) for additional information.

The **start** button can be pressed to enable the speed override function. Refer to [Speed Override Function, page 3-147](#) for additional information.

## Right Multifunction Switch

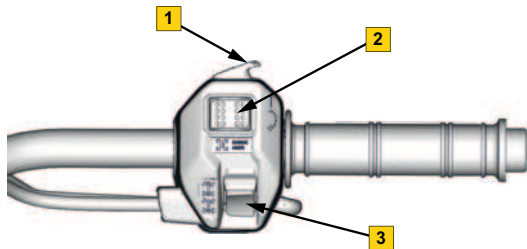
### Right Multifunction Switch Location

The right multifunction switch is located on the RH side of the handlebar.



### Right Multifunction Switch Operation

The right multifunction switch allows the user to change drivetrain traction, engine and regen modes with their respective selectors.



1. Regen mode selector
2. Engine mode selector
3. Drivetrain traction mode selector

### Regen Mode Selector



The **Regen Mode Selector** is used to switch between the different regenerative braking engine modes when pressed. Refer to [Regen Modes, page 3-148](#) for additional information.

## Engine mode selector



The **Engine Mode Selector** is used to switch between the different engine modes when pressed. Refer to [Engine Modes, page 3-146](#) for additional information.

## Drivetrain traction mode selector



1. Traction mode selector
2. 4WD position
3. 2WD position

The **Traction Mode Selector** is used to switch between 2WD and 4WD.

In 2WD mode, the motor power is transferred through the rear wheels only. To engage this mode, press the selector **DOWN**.

In 4WD mode the motor power is distributed by both the front and the rear wheels. The transfer between the front wheels is made depending on traction using the Visco-Lok system. To engage this mode, press the selector **UP**.

Refer to [Drivetrain Traction Modes, page 3-142](#) for additional information.

### Shift Lever

#### Shift Lever Location


The shift lever is located on the RH side of the vehicle near steering column.



## Shift Lever Operation

The shift lever is used to change the gearbox position.

The shift lever has four positions:

<i>Shift Lever Positions</i>		
	Position	Gear
	L	Low range (forward and reverse)
	N	Neutral
	H	High range (forward and reverse)
	P	Park

The vehicle must be stopped and brakes applied prior to selecting any gear.

### NOTICE

This gearbox is not designed to shift while vehicle is moving.

### Park

The park position locks the gearbox to help prevent vehicle movement.

### WARNING

Always use the PARK (P) position when the vehicle is not in operation. The vehicle can roll if the shift lever is not set to P (PARK).

### Neutral

The neutral position disengages the gearbox.



## High Range (Forward and Reverse)

This position selects the high gear range. It is the normal driving speed range. It allows the vehicle to reach its maximum forward speed.

## Low Range (Forward and Reverse)

This position selects the low gear range. It allows the vehicle to move slowly with maximum torque at the wheels.

### *NOTICE*

Heavy duty usage, like pulling heavy load, climbing a hill with loads, or heavy mud, should be done in LOW gear. Heavy load pulling in HIGH gear could overheat the E-motor and power capabilities will be temporarily reduced

---

## EQUIPMENT

While reading this Operator's Guide, remember that:



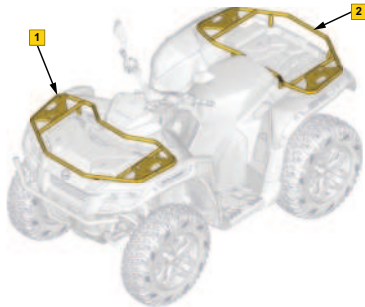
**WARNING**

Indicates a potential hazard which, if not avoided, could result in serious injury or death.

## Cargo Racks

### Cargo Racks Location

The cargo racks are located on the front and the rear ends of the vehicle.



1. Front cargo rack
2. Rear cargo rack

### Cargo Racks Operation

#### WARNING

- Never carry a passenger on a cargo rack.
- Cargo must never interfere with the drivers line of sight or affect his ability to properly steer the vehicle.
- Do not overload the vehicle.
- Always ensure all cargo is properly secured and does not extend out pass the racks.

Always refer to the **Maximum Racks Loading - Warning Label** for cargo weight recommendations.

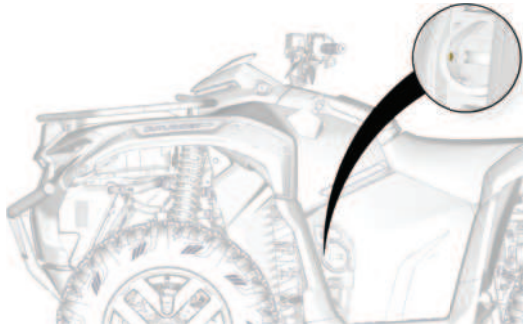
Cargo racks are convenient for carrying equipment and various other cargo. They must never be used to carry a passenger.

---

## Charging Port Light

### Charging Port Light Location

The charging port light is located on left side of the charging port.



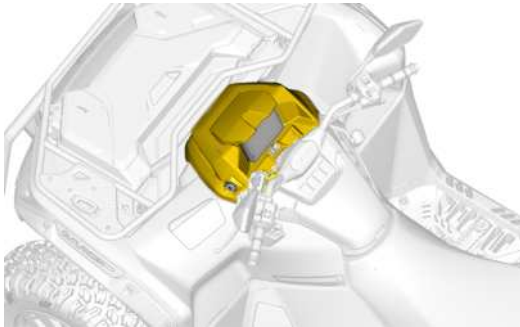
## Charging Port Light Operation

The charging port is equipped with an LED light to help when plugging in the vehicle at night.

### Console

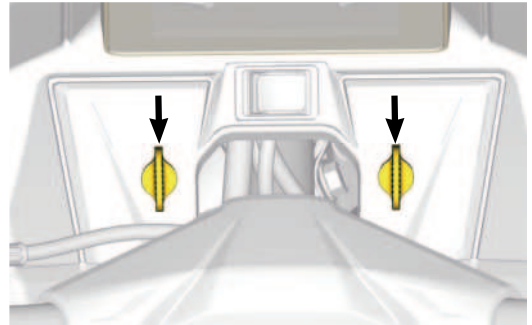
#### Console Location

The console is located in front of the handle bar.



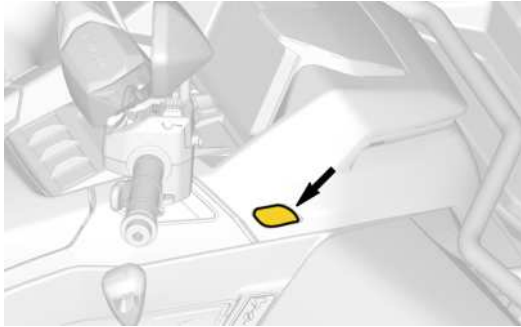
#### Console Removal

1. Turn both quarter turn screws to the vertical (disengaged) position.

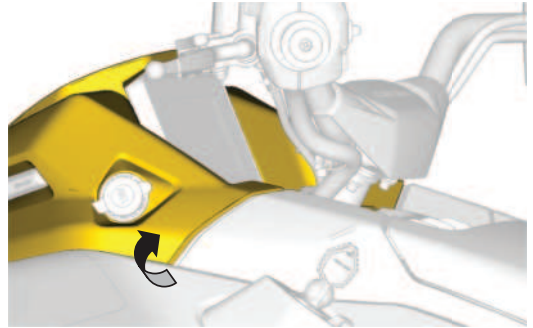


3

- 
2. Press the release button on the right side of the console.



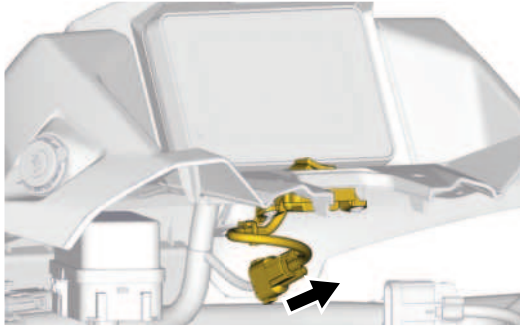
3. Lift the rear-left edge of the console to disengage the glove box tab.



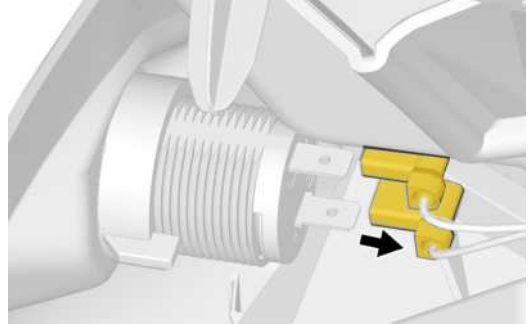
4. Lift the rear of the console.

## VEHICLE INFORMATION

5. Disconnect the flasher switch connector from the harness.

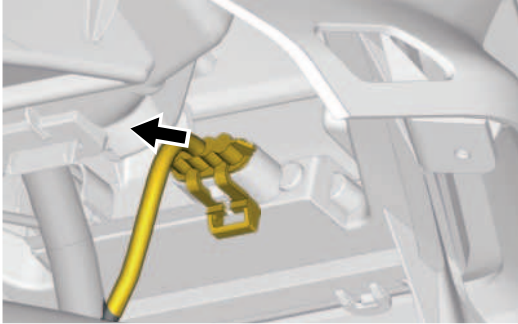


6. Remove the two spade connectors from the 12V power outlet.

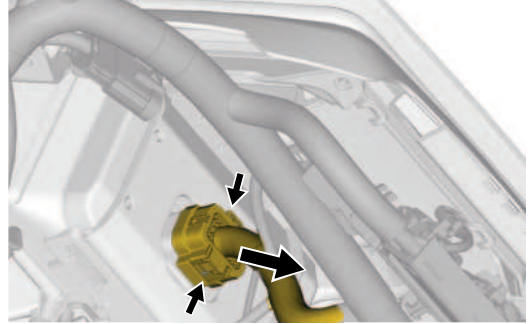


3

7. Unclip and disconnect the LED connector.

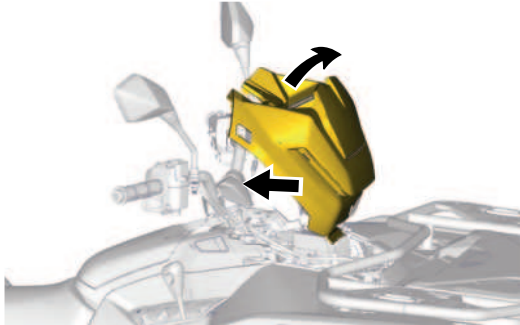


8. Squeeze the multifunction display connector retaining clips, then disconnect the connector.

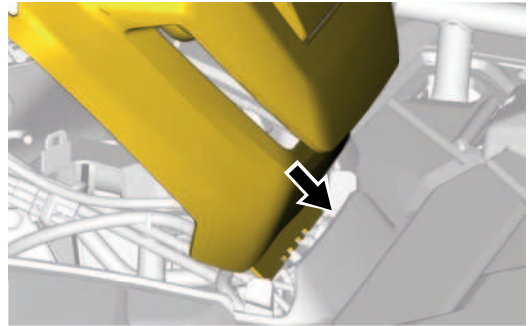




9. Lift the console, then pull it rearward to remove it from the vehicle.



flange align with the ribs under the front cargo compartment lip.

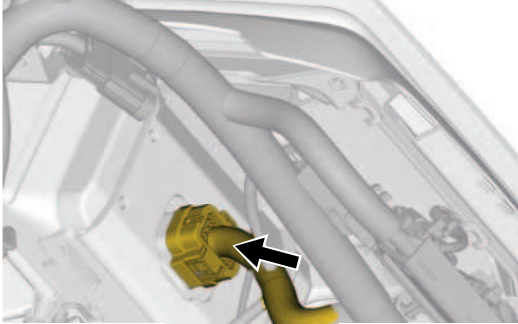


3

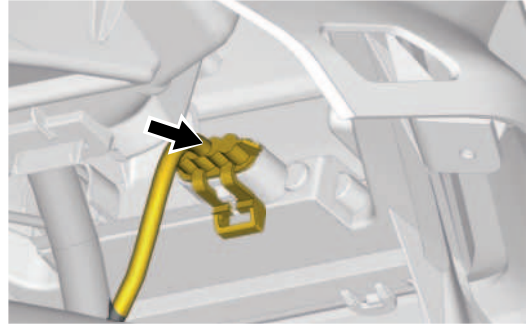
### Console Installation

1. Insert the flange at the forward end of the console under the lip of the front cargo compartment. Ensure that the notches in the

- 
2. Connect the multifunction display connector to the multifunction display. Ensure the retaining clips click into place.

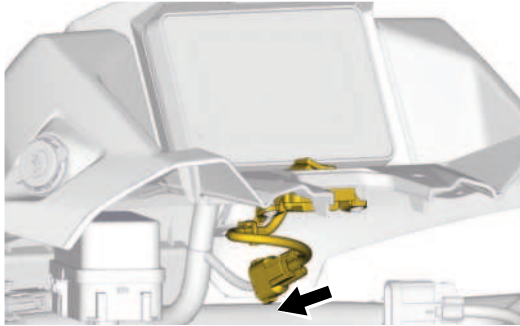


3. Connect the LED connector. Ensure the retaining clip clicks into place.

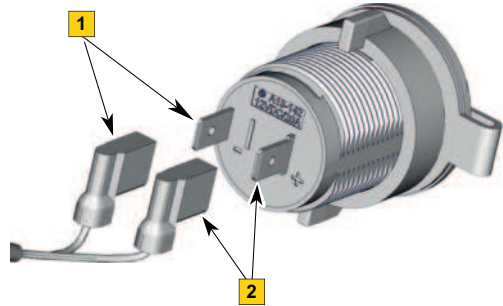


## VEHICLE INFORMATION

4. Connect the flasher switch to the harness connector.



5. Install the two spade connectors on the 12V power outlet.



1. Negative (black)
2. Positive (red)

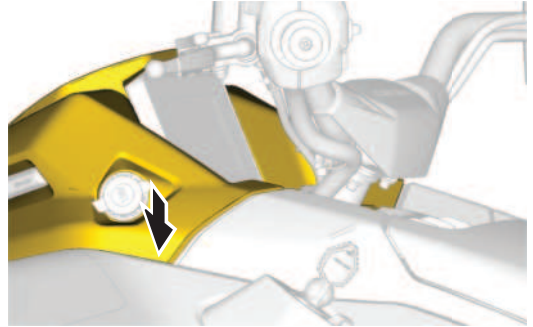
NOTE: Install the RED connector on the POSITIVE (+) terminal and the BLACK connector on the NEGATIVE (—) terminal.

---

6. Lower the console.

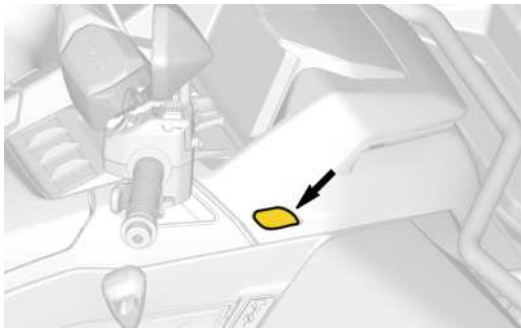


7. Press the rear-left edge of the console over the glove box tab. Make sure it clicks into place.

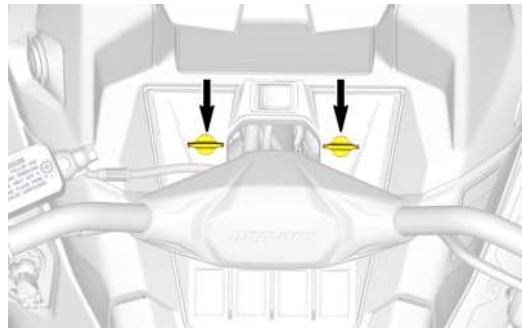


## VEHICLE INFORMATION

8. Press the right side of the console over the release button until it clicks into place.



9. Turn both quarter turn screws to the horizontal position.



3

---

## Console Light

### Console Light Location

The console light is located on forward side of the console.



### Console Light Operation

The console light, located on the front edge of the console, indicates the vehicle status:

- Fade in = Wake up
- Steady on = Riding
- Fade out = Shutdown
- Blinking = Charging

### 12-Volt Power Outlet

#### 12-Volt Power Outlet Location

The 12-Volt power outlet is located on the left side of the console.



#### 12-Volt Power Outlet Operation

The 12-Volt outlet is convenient for powering a handheld spotlight or other portable equipment.

To use the outlet, remove the protective cap.

Always re-install the cap after use to protect the outlet against water infiltration.

---

## Glove Box

### Glove Box Location

The glove box is located forward of the seat.



## Glove Box Operation

The glove box can be used to protect a mobile device or other small belongings from the elements while riding and to store the operator's guide.

### *NOTICE*

This storage compartment can become hot during summer and also when using the vehicle at slow speed for a long period of time.

Storing an electronic device like a cell phone is not recommended under these conditions because hot temperatures can cause permanent damage to the phone and its battery.

To open the glove compartment:



1. Pull on the cover latch to open the glove box.



2. When done, close the cover.

## Footpegs

### Footpegs Location

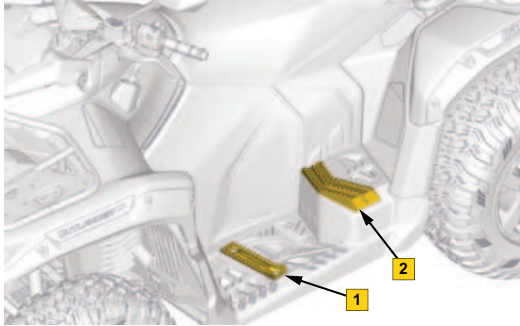
The operator footpegs are located on the RH and LH side of the vehicle.

1-UP Models



2-UP Models

The passenger footpegs are located on the RH and LH side of the vehicle behind the operator footpegs.



1. Operator footpeg
2. Passenger footpeg

## Footpegs Operation

The vehicle footpegs provide additional grip and comfort during vehicle operation.

### 1-UP Models

**⚠ WARNING**

Operator must have both feet on footpegs at all times during vehicle operation.

### 2-UP Models

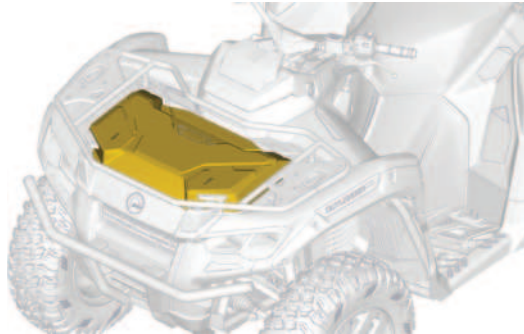
**⚠ WARNING**

Operator and passenger must have both feet on footpegs at all times during vehicle operation.

### Front Storage Compartment

#### Front Storage Compartment Location

The front storage compartment is located on the front end of the vehicle, centered with the luggage rack.



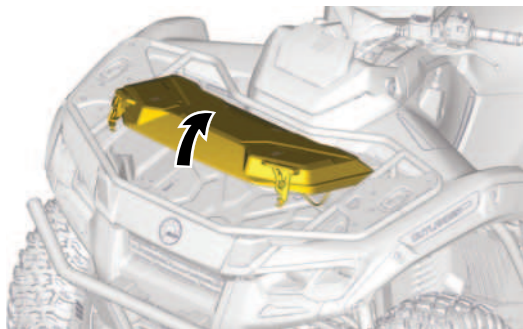
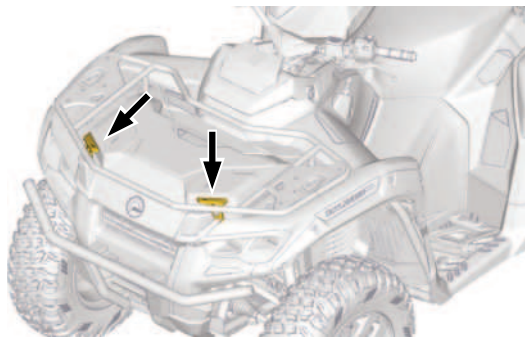
### Front Storage Compartment Operation

The front storage compartment is a convenient location to carry personal articles.

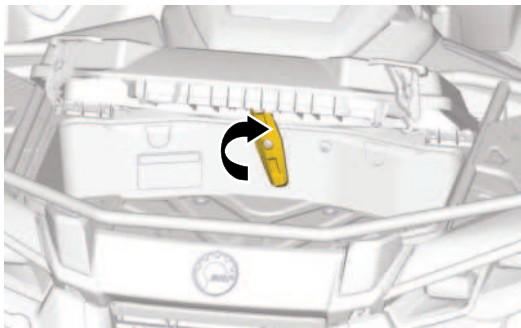
#### WARNING

- Always place the shift lever into the PARK position before opening the cover.
- Never leave any heavy or loose breakable objects in this storage area.
- Always close and lock the cover before riding.

To open the front storage cover, unlock both cover latches and gently raise the cover.



Use the lever located inside the storage compartment to lock the cover in the open position.



After closing the cover, always make sure that the latch properly engaged.

### Front Storage Compartment Cover Removal

1. Open the front storage compartment cover.
2. Remove the retaining cable from the cover.

3. Continue to open the cover then pull it upward.

### Front Storage Compartment Cover Installation

1. Reinsert the cover hinges in their locations.
2. Reinstall the retaining cable.
3. Close the cover properly.

---

## Passenger Backrest

### Passenger Backrest Location

The passenger backrest is located on the aft side of the passenger's seat on 2UP vehicle models.



## Passenger Backrest Operation

The backrest supports the back of the passenger during the ride.



**WARNING**

Without passenger backrest and passenger handles, the vehicle is a ONE RIDER vehicle (1-UP model) and NO PASSENGER must be allowed on vehicle.

### Passenger Grab Handles

#### Passenger Grab Handles Location

The grab handles are located on the LH and RH sides of the passenger's seat on 2UP vehicle models.



#### Passenger Grab Handles Operation

The grab handles must be used by the passenger to hold on firmly during vehicle operation.



**WARNING**

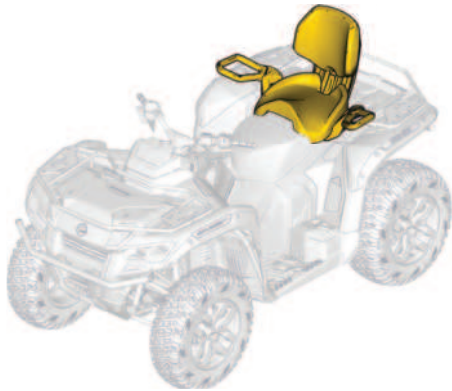
The passenger must always hold on to the passenger grab handles, not the operator. He must also have both feet resting firmly against the footrests.

---

## Passenger Seat

### Passenger Seat Location

The passenger seat on 2UP vehicle models is located aft of the driver seat.



## Passenger Seat Operation

 **WARNING**

Never operate the vehicle without passenger's seat installed.

The passenger seat is designed for a passenger only. It is equipped with an integrated backrest and grab handles to support the passenger.

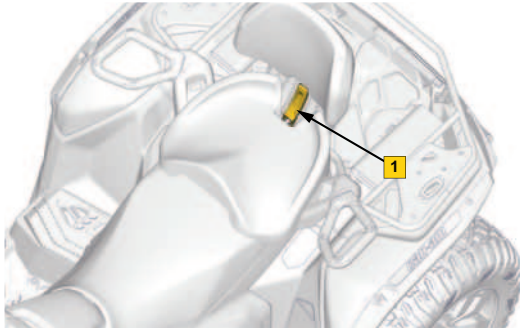
 **WARNING**

Without its passenger's seat, the vehicle becomes a ONE RIDER vehicle (1-UP model) and NO PASSENGER must be allowed on vehicle.



### Passenger Seat Removal

1. Pull the passenger's seat latch lever toward the front of the seat.



#### 2-UP models

1. *Seat latch*
2. While maintaining latch lever pulled towards the front, apply downward pressure on the

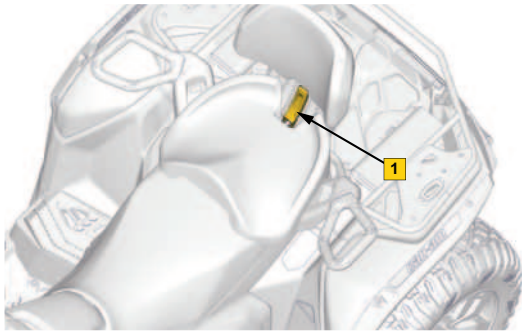
back of latch lever to clear rear latch from pin and toggle seat towards front using backrest.

3. Pull seat rearward and up out of location to clear the front tabs.

### Passenger Seat Installation

1. Ensure the latch lever is in the open position by pulling it towards the front of seat.
2. Using a forward motion, insert both front tabs of the seat into the vehicle anchor housings.
3. On models with passenger's heated grip and/or heated visor, connect the electrical connector located under the seat.
4. Rotate the passenger seat downwards to engage the rear latch.

5. Close the latch lever by pushing it rearwards to secure seat in position.



## 2-UP models

1. *Seat latch*

6. Check if the seat is firmly secured in position before using it.

### WARNING

It is of the utmost importance for the passenger's safety that you confirm that the passenger's seat is properly locked in position by pulling back and up several times.

## Seat

### Seat Removal

1. Remove the passenger seat, if applicable.

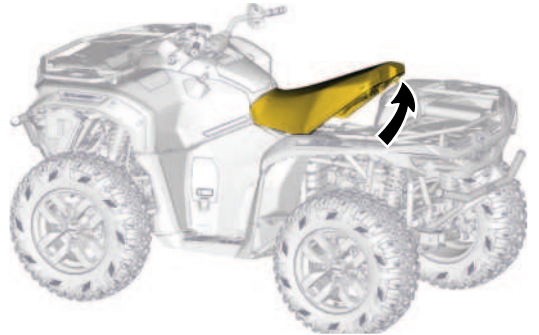
## VEHICLE INFORMATION

2. Pull the seat latch upward. This latch is located underneath the rear of seat.



Typical

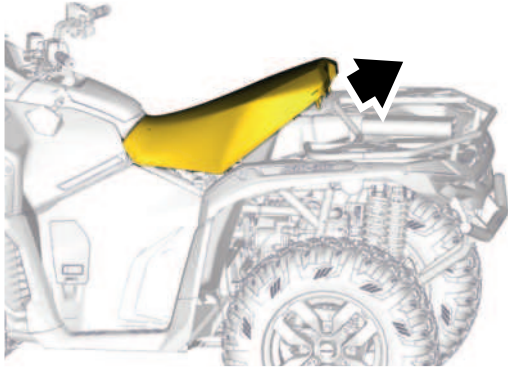
3. Pull seat upward then rearward.



Typical

3

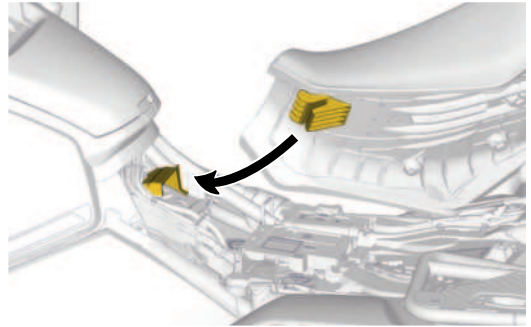
4. Continue lifting movement until you can release the front retaining device then completely remove seat.



**Typical**

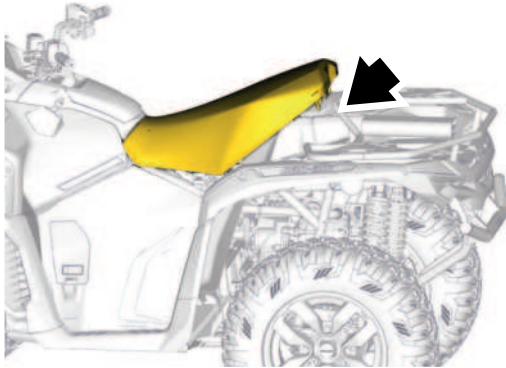
## **Seat Installation**

1. Insert front tabs of seat into hook of the relay starter support housing.



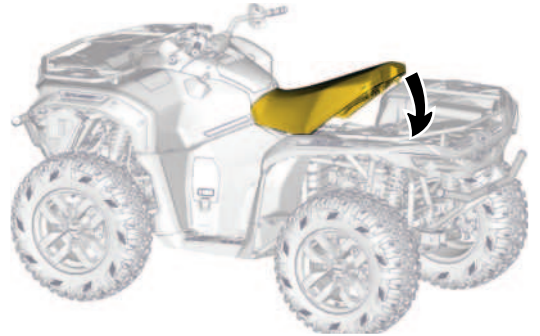
## VEHICLE INFORMATION

2. Push on the rear of seat to position it properly.



Typical

3. When seat rests in its position, firmly push seat down to latch. A distinctive snap will be felt.



Typical

3

4. Double check that the seat is secure by giving it a tug and pulling the front to confirm proper latching.



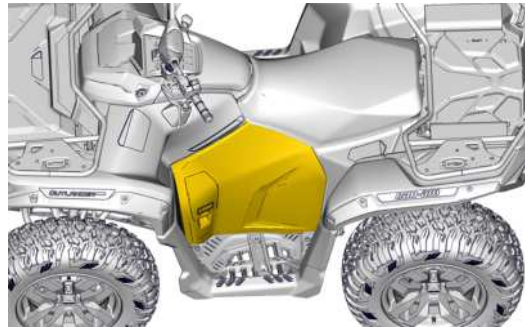
#### WARNING

Ensure the seat is properly locked in position by pulling (the front and the rear), back and up several times. Even if a distinctive snap is heard during the installation, always pull it back and up to confirm proper installation.

## Side Panel

### Side Panel Location

Side panels are located on each side of the vehicle, below the seat.



### Side Panel Removal



Do not touch high-voltage components and do not manipulate, cut or otherwise damage the orange high-voltage cables. Always treat the orange high-voltage cables as if they were live and powered. The vehicle side panels should only be removed for visual inspection.

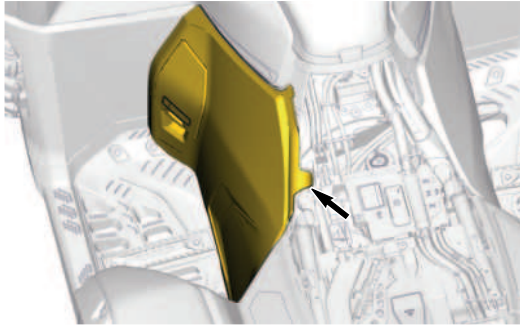
1. Remove the seat. Refer to [Seat Removal, page 3-52](#).
2. Open the charging port cover.

3. Remove the two screws holding the side panel to the charging port support.



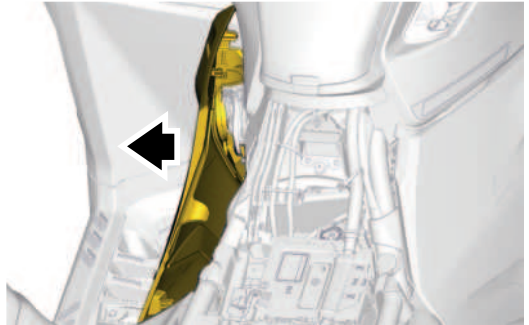
3

- 
4. Pull the panel away from the frame.



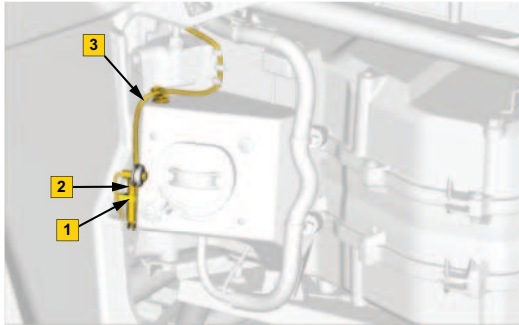
**NOTE:**  
The charging port door is attached to the left panel side.

5. Pull the upper part of the panel enough to detach it from the fender.





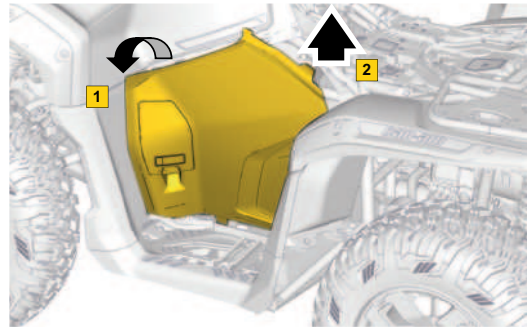
6. Disconnect the charging port light electrical connectors as follows:



**Typical — Side panel removed for clarity**

1. Remove locking tie.
2. Access charging port light electrical connectors.
3. Disconnect charging port light from vehicle main harness.

7. Incline the side panel toward the exterior of the vehicle and pull upward.



1. Incline side panel
2. Pull upward

## Side Panel Installation

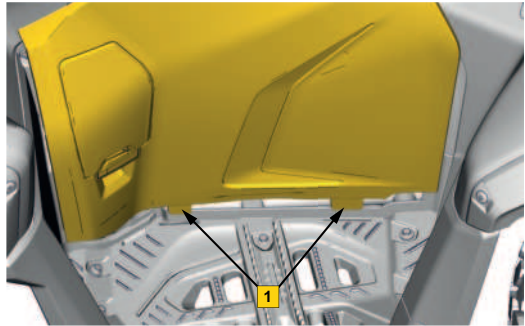
 **DANGER**

Do not touch high-voltage components and do not manipulate, cut or otherwise damage the orange high-voltage cables. Always treat the orange high-voltage cables as if they were live and powered. The vehicle side panels should only be removed for visual inspection.

### NOTE:

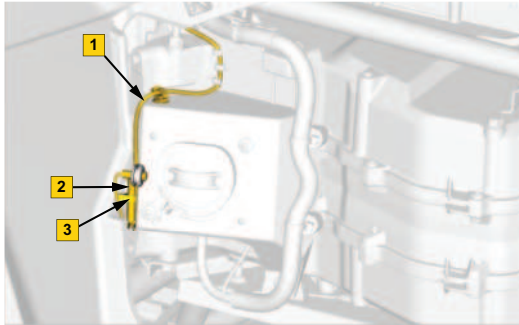
The seat must be removed to install the side panels.

1. Insert the two lower tabs of side panel in position on the vehicle.



*1. Insert side panel tabs*

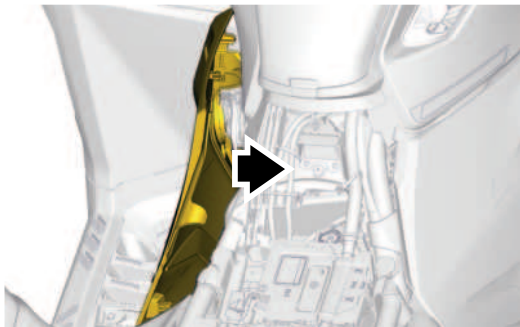
2. Connect the charge port light electrical connectors.



### Typical — Side panel removed for clarity

1. Connect charging port light to vehicle main harness.
2. Position charging port light electrical connectors.
3. Secure charging port light electrical connectors with a **NEW** locking tie.

3. Clip the upper panel to the fender and the frame.



4. Install the two screws holding the side panel to the charging port support. Tighten to specification.



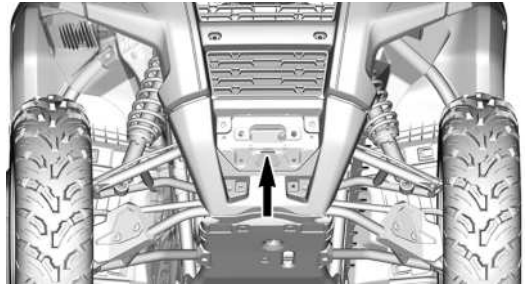
Tightening Torque	
Side panel screws	$4 \pm 1$ Nm ( $35 \pm 8$ lbf-IN)

5. Close the charging port cover.
6. Install the seat. Refer to [Seat Installation](#), page 3-54.

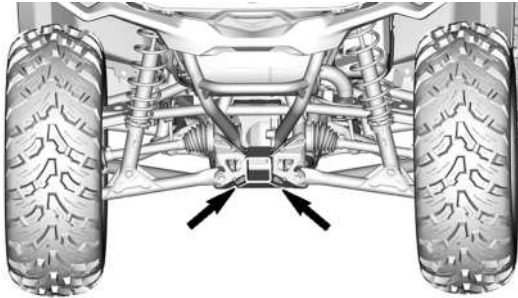
### Recovery Hooks

#### Recovery Hooks Location

The recovery hooks are located at the front and rear end of the vehicle chassis.



Front recovery hook location



Rear recovery hook locations

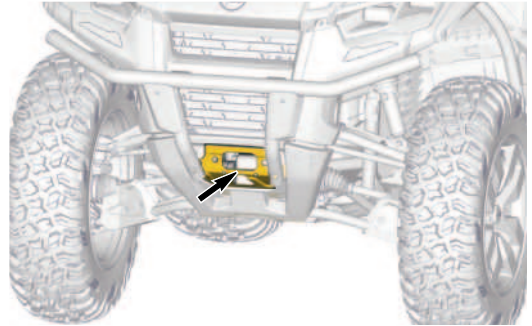
### Recovery Hooks Operation



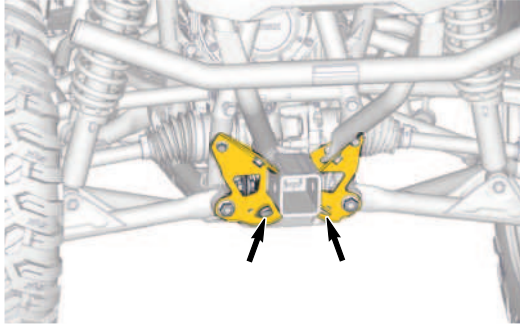
**WARNING**

Shifter must be set to Neutral before pulling the vehicle.

Use the front or rear recovery hooks to retrieve the vehicle when stuck.



Front attachment point



**Rear attachment point**

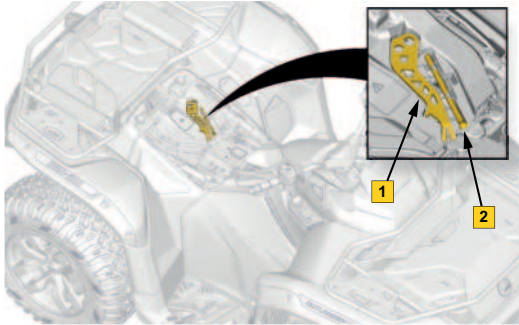
### **Tool Kit**

#### **Tool Kit Location**

A part of the compartment under the operator seat is designed to hold the tools.

They should always be installed in their proper location and orientation.

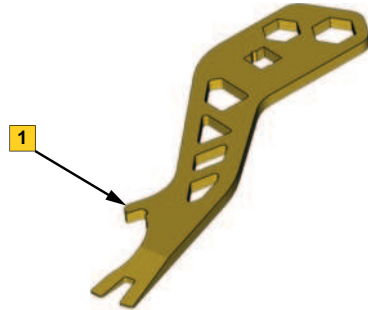
The tool kit is composed of the following items:



1. Multifunction tool
2. Tire pressure gauge

## Multifunction Tool Operation

The multifunction tool is designed to allow basic maintenance such as suspension adjustment and fasteners removal.



1. Suspension adjustment teeth.

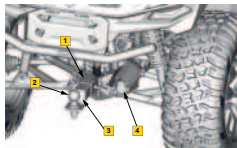


## Trailer Hitch

### Trailer Hitch Location

The trailer hitch is located at the rear end of the vehicle and bolted to the vehicle frame.

This vehicle is also equipped with a trailer harness plug located on the right side of the trailer hitch.



1. Trailer Hitch Receptacle
2. Hitch Ball
3. Towing and Tongue Weight - Warning Label
4. Trailer Harness Socket

### Trailer Hitch Operation

Convenient trailer hitch to tow a trailer or other equipment.

Install the proper ball size as per trailer manufacturer recommendations.



**WARNING**

Ensure to install the proper ball size that matches the equipment you will tow.

Refer to the **Towing and Tongue Weight - Warning Label** and the vehicle for carrying loads and towing recommendations.

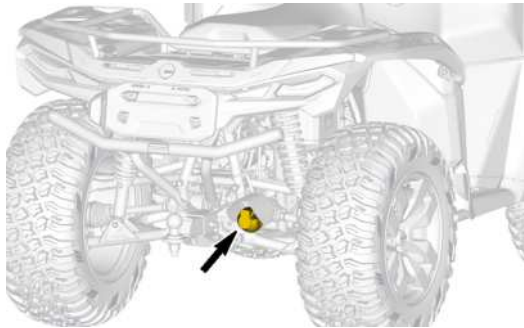
Before riding the vehicle, ensure the trailer harness is connected to the vehicle trailer harness connector.

---

## Trailer Harness Connector

### Trailer Harness Connector Location

The trailer harness connector is located on right side of the trailer hitch receptacle.



### Trailer Harness Connector Operation

The trailer harness should be connected to the vehicle connector when the trailer is equipped with lights.

When a trailer harness is connected to the vehicle, a telltale will activate in the multifunction display. Refer to [Warning and Telltale Lamps, page 3-84](#).



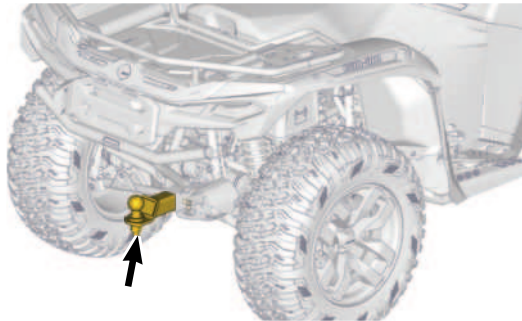
#### NOTE

The Trailer Flasher Module is designed for trailer lights of a total of 40W. If the trailer lights have a different power, the blink frequency will be affected.

### Trailer Hitch Draw Bar

#### Trailer Hitch Draw Bar Location

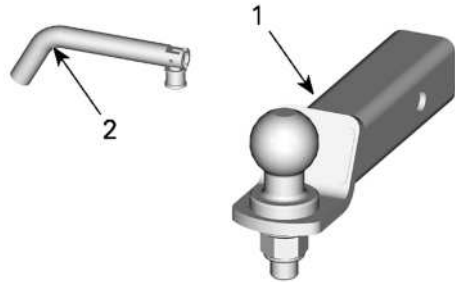
The trailer hitch draw bar is located and installed on the trailer hitch receptacle.



### Trailer Hitch Draw Bar Operation

The hitch draw bar comes with a 50 mm ball installed.

For towing refer to **Towing Instructions Label** located at trailer hitch.



1. Trailer Hitch Support
2. Hitch Pin

 **WARNING**

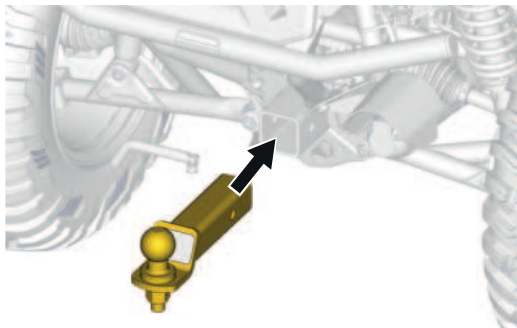
Ensure to install the proper ball size that matches the equipment to be towed.

 **NOTE**

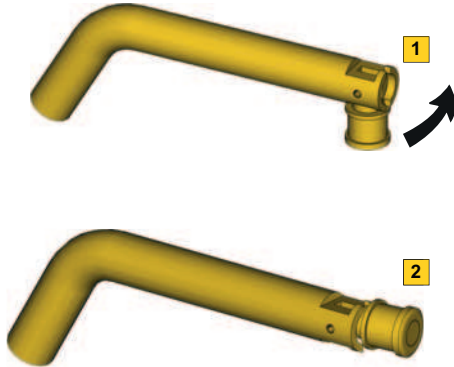
Follow the trailer manufacturer instructions for proper attachment.

## Trailer Hitch Draw Bar Installation

1. Insert the draw bar in the receiver hitch.

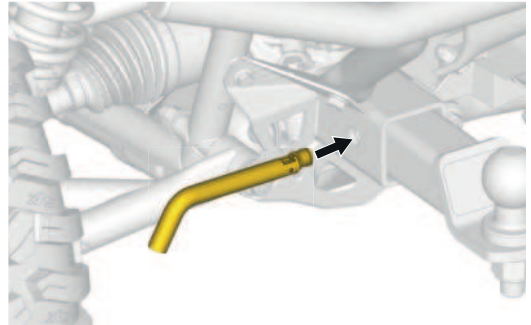


2. Rotate the pin lock to the straight position.



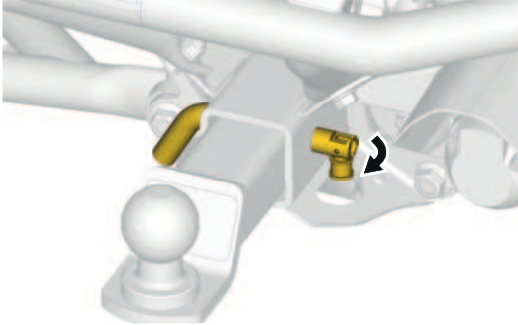
1. Lock folded
2. Lock straight

3. Insert the pin through the draw bar and receiver hitch.



---

4. Secure the pin by folding the lock.



 **WARNING**

Make sure the draw bar is secured properly.

## MULTIFUNCTION DISPLAY



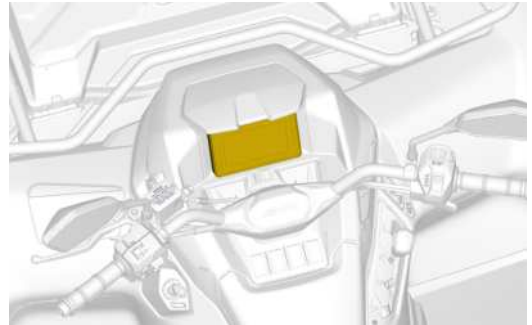
Reading or operating the multifunction display can distract you from the operation of the vehicle, particularly from constantly scanning the environment. Always pay attention to road conditions and ensure your environment is clear and free from obstacles. Furthermore, when riding, only glance at the multifunction display briefly to maintain awareness of road conditions.

The multifunction display includes digital gauges (speedometer and performance gauge), telltales, indicators and controls.

We recommend you practice selecting some functions on the multifunction display before starting your ride. You will get used to them and they will be easier to use during the ride.

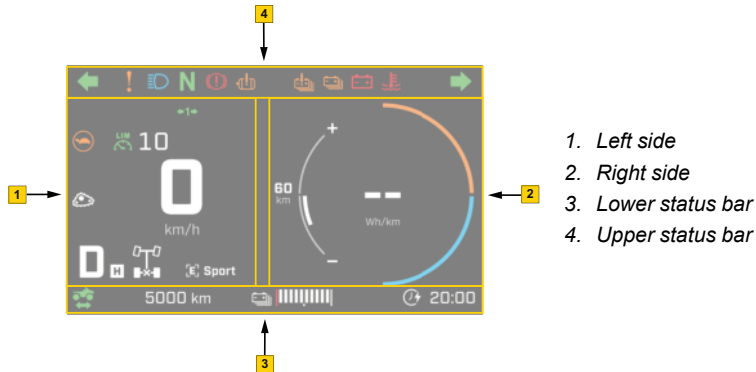
## Multifunction Display Location

The multifunction display is located on the console.



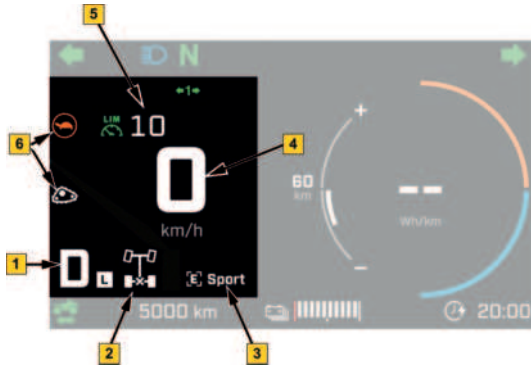
## Multifunction Display Operation

The multifunction display provides important information on vehicle operation and status. The information is detailed and regrouped in different sections of the multifunction display.





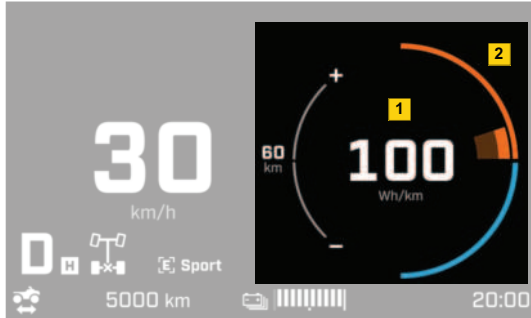
## Left side



1. Selected shift lever position:
    - Drive (D) or Reverse (R)
    - Low and High gears (L, H)
    - Neutral (N)
    - Park (P)
- Refer to [Shift Lever Operation, page 3-26](#).
2. Selected drivetrain modes (2WD / 4WD). Refer to [Drivetrain Traction Modes, page 3-142](#).
  3. Selected engine modes. Refer to [Engine Modes, page 3-146](#).
  4. Speedometer
  5. Speed limiter mode (Active). Refer to [Speed Limiter Mode, page 3-149](#).
  6. Telltales / Indicator lamps
    - Limited Power Mode
    - Track kit (If equipped)

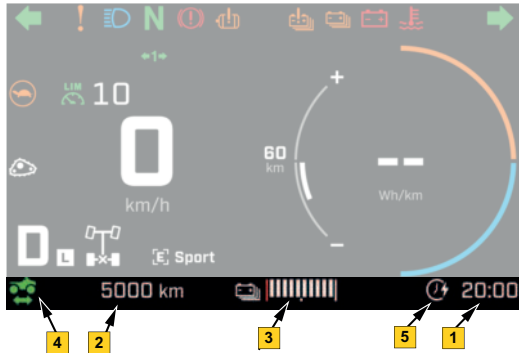
---

## Right side



1. *Custom Gauge.* Refer to [Custom Gauge, page 3-78](#).
2. *Performance Gauge.* Refer to [Performance Gauge, page 3-80](#).

## Lower Status Bar



1. Clock
2. Odometer
3. High-voltage battery state of charge
4. Ready to move mode
5. Charge scheduled icon

## Upper Status Bar



1. Turn and Hazard signals
2. Headlights
3. Neutral
4. Other telltales and indicators

NOTE:

Refer to [Warning and Telltale Lamps, page 3-84](#) for more information on Telltales and Indicator lamps.

## Custom Gauge

The custom gauge can display other complementary information based on user preferences.

To change the displayed information, short press the **Ride Setting** button.



Use the **Menu Control** switch to select the one of the following options:



Press **OK** to confirm the selection.

### NOTE:

The selection can be performed when the vehicle is at a stop or in motion.

### Trip

When displayed in the custom gauge, the trip menu allow the user to select the statistic data (Trip A / B, Odometer) displayed in the lower status bar, using the **Menu Control** switch.

The odometer is displayed by default. To display the trip meter, select the appropriate trip (A / B) and press **OK** to confirm the selection.

### NOTE:

To reset the trip meter:

1. Select the desired trip meter (Trip A / B) from the trip menu.
2. Press and hold **OK** to erase previous trip value.

### Speed Limiter

When displayed in the custom gauge, the speed limiter allow the user to activate, adjust and deactivate the vehicle speed limit value using the **Menu Control** switch. Refer to [Speed Limiter Mode, page 3-149](#) for more information.

### Winch (if equipped)

When displayed in the custom gauge, the winch menu allow the user to deploy (**OUT**) or retract (**IN**) the winch using the **Menu Control** switch. This vehicle is not equipped with a winch installed at facility. See an authorized Can-Am Off-road dealer for winch installation and other available accessories you may require.

---

## Vehicle Info

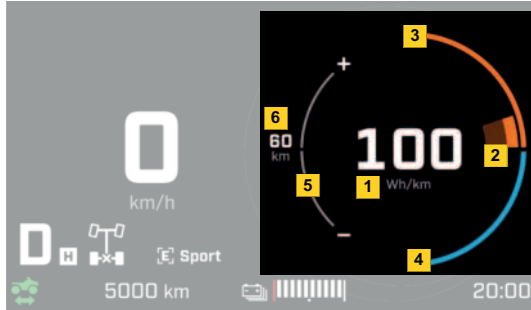
When displayed in the custom gauge, the vehicle info menu allow the user to display the following information;

- Ambient air temperature
- 12V battery status
- High-voltage battery temperature
- Instant power usage (when trip is selected)
- Range

Use the **Menu Control** switch to select the desired information and press **OK** to confirm the selection.

## Performance Gauge

The performance gauge provides crucial information on the vehicle autonomy, energy consumption and other complementary information.



1. Custom gauge / Power / Regen usage\*
2. Power / Regen usage
3. Power capacity
4. Regen capacity
5. Range confidence indicator
6. Vehicle range

\* Based on the user preferences, the custom gauge can display other complementary information. Refer to [Custom Gauge, page 3-78](#).

---

## Power / Regen Usage

The power and regen usage and capacity of the vehicle, displayed on the right side of the performance gauge, is influenced by factors such as the propulsion battery state of charge and the vehicle propulsion system temperature.

The outer thin lines indicate the maximum available power (orange) and regen (blue) capacity. Any limitation will cause them to be partially shaded and will reduce the instant power usage available.

The thick curve, which varies instantaneously during acceleration and deceleration, represents the instant power and regen usage of the vehicle propulsion system.

### NOTE:

If the accelerator lever is fully deployed and the wheels are not turning, the maximum torque capacity of the vehicle might have been reached. If such situation occurs, use the low gear (**L**) and/or reduce the vehicle load.

## Confidence Level

The confidence level is displayed with a white bar on the left side of the performance gauge.

The range and confidence level will adjust automatically depending on vehicle usage and operating conditions.



### Warning Lamps and Indicators

The following indicator lamps will alert you to a vehicle condition that may become serious. Some lamps will illuminate when starting the vehicle to make sure they work. If any lamps remain on after starting the vehicle, refer to the respective system warning lamp for further information.



Some warning indicators appear in the display of the multifunction gauge and function the same as an indicator lamp but do not display when starting the vehicle.

---

## Warning and Telltale Lamps

Multifunction display pilot lamp(s), messages and Beeper Codes will inform you if an anomaly occurs or to inform you of a particular condition.

A telltale can flash alone or in combination with another lamp.

Some messages will be displayed with a beep code and telltale(s).

Beeper codes will be heard and messages will be displayed to catch your attention.

The telltales lamps are found in two (2) locations of the multifunction display:

- Upper Status Bar
- Left central area.



# VEHICLE INFORMATION





3



1. Upper status bar
2. Left central area

## Notifications




<i>Pilot Lamp ON</i>	<i>Pilot Lamp Status</i>		<i>Message Display</i>	<i>Description</i>
	<i>ON</i>	<i>Blink</i>		
 (RED)	X		12V BATTERY / LOW BATTERY VOLTAGE	12V system has a low voltage. Vehicle may shutdown unexpectedly.
	X		12V BATTERY / HIGH BATTERY VOLTAGE	12V system has a high voltage.
 (ORANGE)	X		—	Propulsion battery temperature is high. Performance is limited.
		X	PROPULSION BATTERY / OVERHEAT	Propulsion battery temperature is in overheat. Performance is extremely limited.



## VEHICLE INFORMATION

<b>Pilot Lamp ON</b>	<b>Pilot Lamp Status</b>		<b>Message Display</b>	<b>Description</b>
	<b>ON</b>	<b>Blink</b>		
 (BLUE)	X		—	Propulsion Battery low temperature. Performance is limited.
 (ORANGE)		X	ELECTRICAL FAULT / SERVICE REQUIRED	There is an HVIL or IMD fault detected. Charging or riding may not be possible. Service required.
	X		EMERGENCY SHUTDOWN / PARK IN A SAFE PLACE AND GET OFF THE VEHICLE	Critical error in the propulsion battery causing the vehicle to shutdown. Park in an open space, do not park inside. Call your dealer for service.
	X		—	Propulsion Battery fault.

<b>Pilot Lamp ON</b>	<b>Pilot Lamp Status</b>		<b>Message Display</b>	<b>Description</b>
	<b>ON</b>	<b>Blink</b>		
 (ORANGE)	X		CHARGING SYSTEM / SYSTEM UNABLE TO CHARGE	There is a problem with the charging system that is stopping the charge. Service required.
	X		CHARGING SYSTEM OVERHEAT — REDUCED CHARGING POWER	The charging power is reduced due to charger high temperature. Charging may be longer than usual.
 (ORANGE)		X	PROPULSION BATTERY / LOW STATE OF CHARGE - CHARGE NOW	Propulsion battery state of charge is critically low. Performance is limited. Do not leave the vehicle without charging. If the high-voltage battery charge level (SoC) is extremely low, it should be recharged within 24 hours of being discharged to avoid potential damaged and preserve its longevity.



## VEHICLE INFORMATION



<b>Pilot Lamp ON</b>	<b>Pilot Lamp Status</b>		<b>Message Display</b>	<b>Description</b>
	<b>ON</b>	<b>Blink</b>		
 (ORANGE)	X		PROPULSION SYSTEM / AUTOMATIC POWER REDUCTION	Automatic power reduction due to a system failure. Service required.
 (ORANGE)		X	EMERGENCY SHUTDOWN / PARK IN A SAFE PLACE	Critical condition causing an immediate shutdown. Service required.
	X		—	System fault.
	X		—	Coolant or electric motor temperature is high. Low gear usage is preferred to help reduce motor temperature.

<b>Pilot Lamp ON</b>	<b>Pilot Lamp Status</b>		<b>Message Display</b>	<b>Description</b>
	<b>ON</b>	<b>Blink</b>		
(RED)		X	ELECTRIC MOTOR / OVERHEAT	Electric motor is overheating, and performance is limited. Low gear usage is preferred to help reduce motor temperature.
 (ORANGE)	X		—	Service Required.
	X		—	The neutral gear is selected.






## VEHICLE INFORMATION

<b>Pilot Lamp ON</b>	<b>Pilot Lamp Status</b>		<b>Message Display</b>	<b>Description</b>
	<b>ON</b>	<b>Blink</b>		
(GREEN)				
 (BLUE)	X		—	High Beam activated.
	X		—	Track kit present.

<b>Pilot Lamp ON</b>	<b>Pilot Lamp Status</b>		<b>Message Display</b>	<b>Description</b>
	<b>ON</b>	<b>Blink</b>		
 (GREEN)	X		—	Speed limiter function activated.
		X	—	Left flasher activated.

## VEHICLE INFORMATION

<i>Pilot Lamp ON</i>	<i>Pilot Lamp Status</i>		<i>Message Display</i>	<i>Description</i>
	<i>ON</i>	<i>Blink</i>		
		X	—	Right flasher activated.
	X		—	Flashers are activated and a trailer is connected.
	X		—	Position lights are activated.

<b>Pilot Lamp ON</b>	<b>Pilot Lamp Status</b>		<b>Message Display</b>	<b>Description</b>
	<b>ON</b>	<b>Blink</b>		
(GREEN)				
—			CHARGING STATION / VEHICLE IS UNABLE TO CHARGE	There is a problem with the charging station (EVSE) that is stopping the charge.
—			CHARGING STATION / UNABLE TO CHARGE – CHECK CHARGE HANDLE	Vehicle cannot charge because the charge handle is not connected properly.
—			DRIVE DEACTIVATION / PRESS BRAKE TO KEEP VEHICLE READY TO DRIVE	The vehicle will automatically deactivate the drive because there was no user detection.

## VEHICLE INFORMATION

<b>Pilot Lamp ON</b>	<b>Pilot Lamp Status</b>		<b>Message Display</b>	<b>Description</b>
	<b>ON</b>	<b>Blink</b>		
—			PROPULSION BATTERY / LOW TEMPERATURE – WARM-UP MODE	The battery is heating to reach optimal charging performance.
—			PROPULSION BATTERY / HIGH TEMPERATURE – COOLING DOWN	Propulsion battery temperature is too high to charge. The vehicle will cool down by itself and start the charge automatically.
—			SET SHIFT LEVER TO PARK	The vehicle is either connected to the charging station (EVSE) or is at rest (propulsion system not active) and the Park is not engaged.

---

## **Fault Codes**

Active and occurred fault codes, related to warning and telltale lamps, will be recorded in the vehicle control unit.

Contact an authorized BRP Can-Am Off-Road dealer to have your vehicle inspected and repaired.

## **Icons and Indicators**

Multifunction display icons and indicators will also inform you of a particular condition.

Some messages may be displayed with a beep code along with the icon(s) and indicator(s).

Beeper codes will be heard and messages will be displayed to catch your attention.

The icons and indicators are found in two (2) locations of the multifunction display:

- Left Lateral Digital Display
- Lower Status Bar.



## VEHICLE INFORMATION



1. Left lateral digital display
2. Lower status bar

3





---

<b><i>Icons and Indicators</i></b>	<b><i>Description</i></b>
 (GREEN)	<ul style="list-style-type: none"><li>• Vehicle is stationary and ready to drive.</li><li>• The right round portion of the performance gauge will also blink in blue.</li></ul>
<b>ON</b>	<ul style="list-style-type: none"><li>• Vehicle is energized and high-voltage battery contactors are closed.</li></ul>
	<ul style="list-style-type: none"><li>• Vehicle is moving.</li></ul>
<b>P</b>	<ul style="list-style-type: none"><li>• Park is engaged.</li></ul>
<b>N</b>	<ul style="list-style-type: none"><li>• Neutral is engaged.</li></ul>









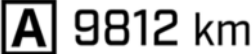
<i>Icons and Indicators</i>	<i>Description</i>
<b>D</b>	<ul style="list-style-type: none"><li>• Vehicle is in forward and ready to drive.</li></ul>
<b>R</b>	<ul style="list-style-type: none"><li>• Vehicle is in reverse and ready to drive.</li></ul>
<b>H</b>	<ul style="list-style-type: none"><li>• High gear is selected.</li></ul>
<b>L</b>	<ul style="list-style-type: none"><li>• Low gear is selected.</li></ul>



---

<i>Icons and Indicators</i>	<i>Description</i>
	<ul style="list-style-type: none"><li>• Engine mode: <b>NORMAL</b>, <b>SPORT</b>, or <b>WORK</b></li></ul>
	<ul style="list-style-type: none"><li>• Scheduled charge activated.</li></ul>
	<ul style="list-style-type: none"><li>• Charging cable is locked</li></ul>
	<ul style="list-style-type: none"><li>• Charging cable is unlocked.</li></ul>

## VEHICLE INFORMATION

<i>Icons and Indicators</i>	<i>Description</i>
	<ul style="list-style-type: none"><li>• Vehicle connected to EVSE without charging.</li></ul>
 (ORANGE)	<ul style="list-style-type: none"><li>• Vehicle connected to EVSE and not charging due to a failure.</li></ul>
	<ul style="list-style-type: none"><li>• Vehicle actively charging</li></ul>
	<ul style="list-style-type: none"><li>• Timer until charging cable automatically locks.</li></ul>

<i>Icons and Indicators</i>	<i>Description</i>
20:00	<ul style="list-style-type: none"> <li>• Clock</li> </ul>
	<ul style="list-style-type: none"> <li>• 2WD selected..</li> </ul>
	<ul style="list-style-type: none"> <li>• 4WD selected.</li> </ul>
	<ul style="list-style-type: none"> <li>• Trip distance.</li> </ul>

<i>Icons and Indicators</i>	<i>Description</i>
	<ul style="list-style-type: none"> <li>• Odometer</li> </ul>
	<ul style="list-style-type: none"> <li>• State of charge of the vehicle.</li> </ul>

## Multifunction Display Configuration

The following parameters of the multifunction display can be adjusted based on the user preferences when the vehicle is ON and at a stop. Refer to [Starting the Vehicle, page 3-136](#) to activate the vehicle.

Long press the **Ride Setting** button.

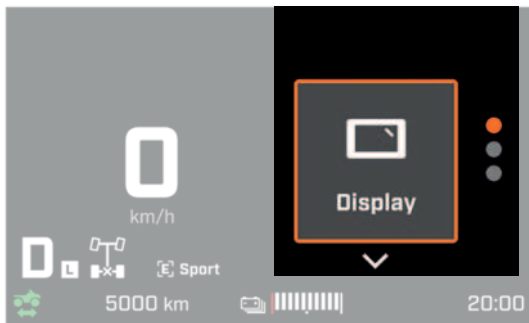


Use the **Menu Control** switch to select one of the following options:

- **Display Menu.**
- **Vehicle Charging Menu.**

Press **OK** to confirm the selection.





### Display Menu

Refer to the following sections to configure each parameter. When finished, Long press the **Ride Setting** button. Use the **Menu Control** switch to select **Exit** option. Press **OK** to confirm the selection.

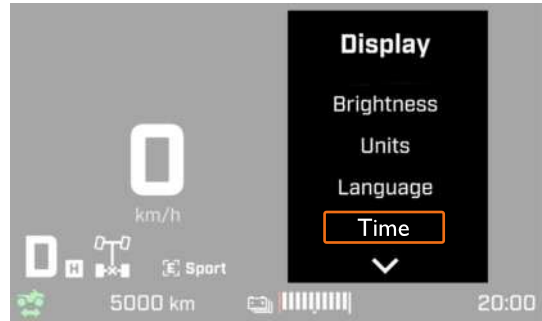
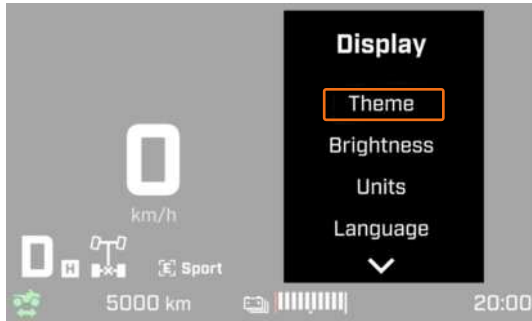


### Energy Menu

#### Display Menu

The **Display** menu allows to adjust the one of the following parameters:

# VEHICLE INFORMATION



3

---

## Theme

Use the **Menu Control** switch to select **Theme** and press **OK** to confirm the selection.

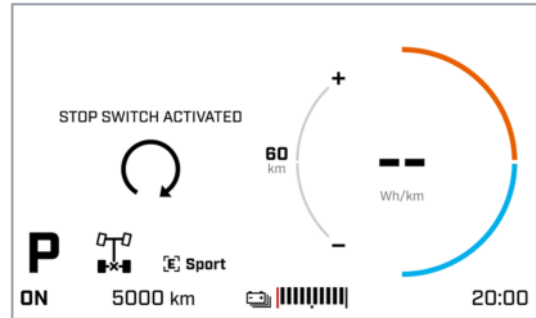




Select the preferred theme using the **Menu Control** switch and press **OK** to confirm the selection.



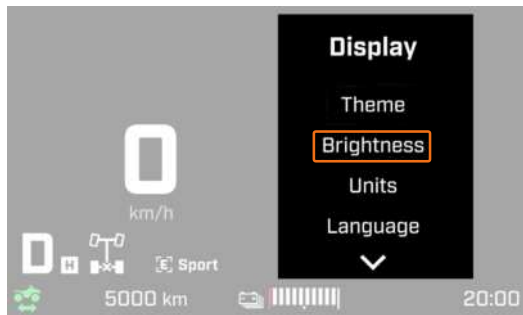
**Dark Mode**



**Light Mode**

## Brightness

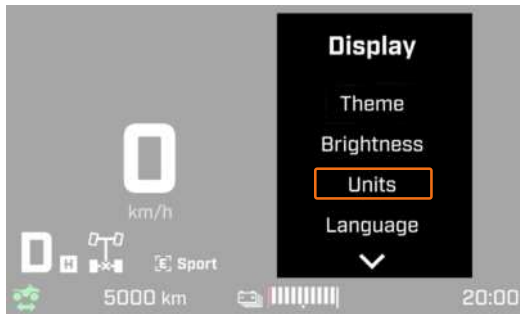
Use the **Menu Control** switch to select **Brightness** and press **OK** to confirm the selection.



Adjust the preferred lighting intensity using the **Menu Control** switch and press **OK** to confirm the selection.

## Units

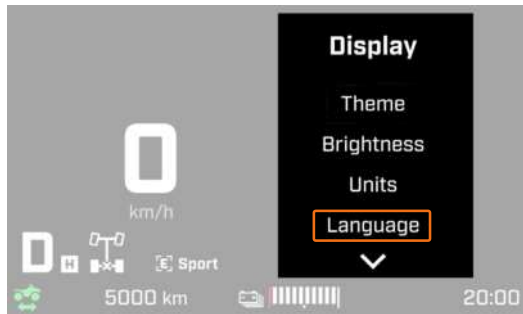
Use the **Menu Control** switch to select **Units** and press **OK** to confirm the selection.



Select the preferred unit and press **OK** to confirm the selection.

### Language

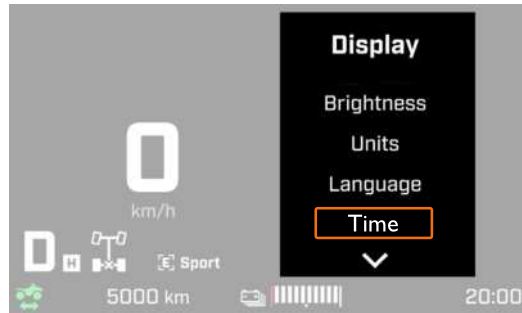
Use the **Menu Control** switch to select **Language** and press **OK** to confirm the selection.



Select the preferred language and press **OK** to confirm the selection.

### Time

Use the **Menu Control** switch to select **Time** and press **OK** to confirm the selection.



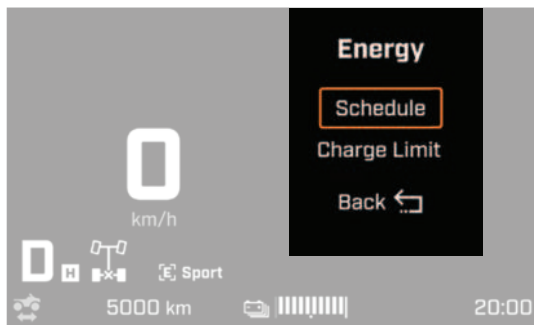
Adjust the multifunction display time and press **OK** to confirm.

---

## Energy Menu

The energy menu provides access to vehicle recharge functions and parameters that follow:

### *North American Models*



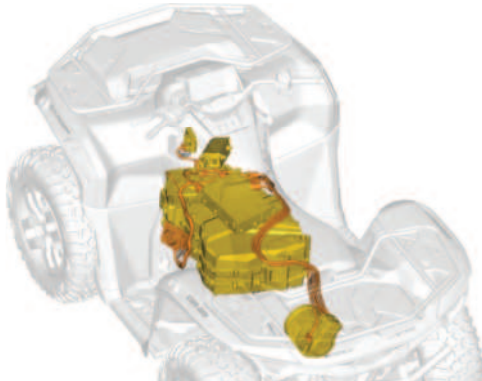
### *International Models*



Refer to [Vehicle Recharge Configuration, page 3-129](#) for more information.

## ELECTRIC VEHICLE (EV) OVERVIEW

### High Voltage Components



TYPICAL

 DANGER

Do not manipulate, cut or otherwise damage the orange high-voltage cables. Always treat the orange high-voltage cables as if they were live and powered.

High voltage cables can be identified on the vehicle by their orange color.

---

## **Charging Port**

### **Charging Port Location**

The charging port is located on the left side of the vehicle.



1. Charging port — Type 1 (SAE J1772)\*
  2. Charging port — Type 2 (Mennekes)
- \* Not available on T-category models.

---

## Charging Port Operation

The charging port can be accessed by opening the charging port cover. Depending on configuration, the vehicle may be equipped with a type 1 (SAE J1772) charging cable connector, commonly used in North America, or a type 2 (IEC 62196) charging cable connector used in Europe. Always use an EVSE charging cable connector compatible with the vehicle configuration.

The charging port is equipped with a draining hole to allow evacuation of water when the charging port cover is opened or being cleaned.

A current flow between the charging station (EVSE) and the vehicle can only occur if these conditions are met:

- The charging cable is connected and locked on the vehicle charging port.

- The vehicle cooling and charging systems are active.
- No electrical faults are present.

### NOTICE

The vehicle charging system only accepts Level 1 (120V) or Level 2 (240V) charging. It is not compatible with DC-Fast Charging.



### NOTE

If the 12V battery is faulty or other electrical faults are present, the vehicle charging system will not activate. Ensure the 12V battery is in good condition, recharge as required. Refer to [12V Battery Recharge, page 4-69](#).



## Electric Vehicle Supply Equipment (EVSE)

The Electric Vehicle Supply Equipment (EVSE) cable used for charging the vehicle must be compatible with a type 1 (SAE J1772) or type 2 (IEC 62196) charging port connector, depending on vehicle configuration.

### WARNING

Vehicles equipped with a Type 1 (J1772) charging connector shall only be charged with a CCID (Charge Current Interruption Device According to UL2231) equipped station.

### WARNING

Vehicles equipped with a Type 2 (IEC 62196) charging connector shall only be charged with a RCD (Residual Current Device according to IEC61851) equipped station.

Depending on the region, charging can be done using Level 1 (120V) or Level 2 (240V) charging stations.

### WARNING

Immediately disconnect the EVSE from the vehicle if plug or wall outlet is hot to the touch or emitting any unusual odors.

### WARNING

Do not use extension cords or adapters with the EVSE.

### WARNING

Do not use the EVSE if the plug does not have a proper connection with the wall outlet or if the wall outlet is rusted or damaged in any way.

 **WARNING**

Do not use the EVSE if the cable or cord is frayed, has broken insulation or shows any other signs of damage.

## Lithium-Ion High-Voltage Propulsion Battery

 **WARNING**

The high-voltage battery should only be serviced by an authorized service technician. Do not open or tamper with the battery in any way. Contact an authorized BRP dealer for battery servicing.

 **WARNING**

Do not use the high-voltage battery as a stationary power source or for other than its intended purpose in this vehicle.

**NOTICE**

Avoid fully discharging the high-voltage battery to 0%. The battery will engage a power/torque limiter when the state of charge is low. However, fully discharging the battery to 0% could damage the battery and render the vehicle inoperable. The battery cannot be recharged if it is highly depleted.

There are different electrical circuits in the system.

- DC high-voltage circuit: Links the battery, charger, inverter, providing energy to the vehicle propulsion system.
- 12V DC circuit: Used to power auxiliaries like control modules, lights and the infotainment.
- AC 120 V/ 240 V circuit: Used during charging.

The high-voltage and 12V circuits are linked through the DC-DC converter located inside the high-voltage (HV) propulsion battery.

The HV battery is comprised of multiple lithium-ion sealed cells that store the energy used to drive the vehicle.

During normal operating conditions, the high-voltage propulsion battery also provides charging current through the DC-DC converter to the auxiliary 12V battery. The 12V may also be charged when the vehicle is connected to an EVSE.

All batteries degrade over time. The high-voltage battery efficiency will vary in function of the service time, operating conditions and external temperature conditions.

### **Battery Management System (BMS)**

The high-voltage battery pack is equipped with a Battery Management System (BMS) that monitors the condition of the high-voltage propulsion battery. The BMS optimizes charging and under certain conditions, intervenes to prevent damage to the HV propulsion battery. This intervention includes request (s) to slow down or stop the flow of charge, if necessary.

The BMS also estimate the available power that can be drained from or restored to the HV propulsion battery during operation. If required, it can limit that power as needed.

### **Effect of Temperature**

For optimal battery life and long-term performance, whenever possible, avoid exposing the vehicle to ambient temperatures above 40°C (104° F) or below -20° C (-4° F) for extended periods.

**WARNING**

Do not expose the vehicle to ambient temperature above 60° C (140° F).

Charging in extreme temperatures can limit the rate of charge of the high-voltage battery. When the battery pack has an internal temperature outside of the appropriate range, the Battery Management System (BMS) intervenes and requests the cooling system to bring the temperature to the appropriate level.

**NOTE:**

The on-board heater can only be activated when the vehicle is connected with an EVSE to a proper outlet.

Optimal charging will be available when the high-voltage battery internal temperature has reached the appropriate range. The radiator fan may also activate to optimize the battery internal temperature during charging and vehicle usage.

Driving in extreme temperatures can also affect the overall performance and range of the vehicle. Preconditioning the vehicle will improve the vehicle performance in cold temperatures. Refer to [Vehicle Preconditioning, page 3-136](#) for more information.




## Charging Performance Information

<b>Battery Internal Temperature</b>	<b>Displayed Notification</b>	<b>Charging Performance</b>
Above 50°C	Propulsion Battery High Temperature - Cooling Down	Moderate performance reduction Charging time will be longer to allow the cooling system to adjust its temperature.
45°C to 50°C	Propulsion Battery High Temperature - Cooling Down	Moderate performance reduction Charging time will be longer to allow the cooling system to adjust its temperature.
10°C to 45°C	N/A	<b>NORMAL</b> The cooling system will maintain its temperature during charging.
0°C to 10°C	Propulsion Battery Low Temperature - Warmup mode	Slight performance reduction Charging time will be slightly longer to allow the cooling system to adjust its temperature.




---

<b><i>Battery Internal Temperature</i></b>	<b><i>Displayed Notification</i></b>	<b><i>Charging Performance</i></b>
Below 0°C	Propulsion Battery Low Temperature - Warmup mode	Moderate performance reduction Charging time will be longer to allow the cooling system to adjust its temperature.
Below -30°C	Propulsion Battery Low Temperature - Warmup mode	Significant performance reduction 12V battery good health condition required to wake up the system.

## Riding Performance Information

<i>Battery Internal Temperature</i>	<i>Telltale</i>	<i>Performance</i>
Above 55°C	 Blinking	Overheat — Performance extremely limited and vehicle might not operate (internal self protection). Let the vehicle cool down.
50°C to 55°C		High temperature — Moderate performance reduction (internal self protection). Let the vehicle cool down or reduce usage severity.
0°C to 50°C	-	Operating temperature range. Normal performance.
-15°C to 0°C		Slight performance reduction. Regen is not available. Vehicle will self heat-up during usage. Perform preconditioning to increase your performance and your range.

---

<b>Battery Internal Temperature</b>	<b>Telltale</b>	<b>Performance</b>
-20°C to -15°C		Moderate performance reduction. Perform preconditioning to increase your performance and your range.
-30°C to -20°C		Vehicle will wake up but will not operate. Plug into a charging station and perform preconditioning to the desired temperature level.
Below -30°C		Vehicle will not wake up or operate. Move to warmer area or plug into a charging station.



### High-Voltage Battery State of Charge

The vehicle operates best when charged regularly. The HV battery does not need to be fully depleted before charging again. Rather than waiting until the battery charge is low to recharge, take advantage of every opportunity to charge when the vehicle is not in use.

#### NOTICE

If the HV battery state of charge (SoC) is extremely low, it should be plugged in within 24 hours of being discharged to avoid potential damage and preserve its longevity.

State of Charge (SoC) refers to the level, in percentage, at which the HV battery is charged. Ranging from 0% to 100%, the SoC indicates how much capacity the HV battery has available.

Using the vehicle with a high voltage battery SoC between 20% and 80% is optimal for its longevity.

### High-Voltage Battery State of Health (SoH)

The state of health (SoH) refers to the current health condition of the HV battery compared to its initial state when it was new.

The HV battery life span is directly related to its SoH. When the HV battery ages, it gradually loses performance and range.

To help preserve a good SoH and minimize degradation:

- Avoid frequent hard accelerations or sustained top speeds when riding
- Charge your vehicle to a maximum of 80% SoC is recommended to increase the battery longevity

---

Using a level 1 (120V or 240V / 16 amp) or slow EVSE does take longer but is better for your HV battery. The rate at which the electricity is pushed in the HV battery directly impacts its long-term performance.

Using a level 2 (240V / 30 Amp) is ideal for quick refills during a trip or while travelling. If you have the time to use a level 1 EVSE, your HV battery will benefit from less stress.

Maximize the above best practices to gain the most from your HV battery. Chemical degradation cannot be stopped but can be reduced to optimize the HV battery SoH.

## Vehicle Recharge

 WARNING

Do not use a multi-plug adapter or extension cord.

 WARNING

People with medical electric devices, such as a pacemaker or a cardiovascular defibrillator, should consult their physician for recommendations related to electric vehicles and electric vehicle supply equipment (EVSE).

### NOTICE

To prevent dirt and debris from potentially damaging terminals, ensure that the protective cap and charging port door are closed and secured when not charging the vehicle. If the terminals build up debris over time, do not use tools to clean the terminals. Use compressed air, a soft cloth or low-pressure water to clean.

To charge the high-voltage propulsion battery:

1. Stop the vehicle on a flat surface.
2. Set the shift lever to **P** (park).
3. Engage the brake lever lock.
4. Ensure the stop switch is **OFF**.

5. Open the hinged charging port door.



- 
6. Remove the charging port protective cap.



7. Ensure that the charging port connector is free of dirt, debris and water.

8. Insert the EVSE charging cable connector into the vehicle charging port.



9. Ensure the EVSE charging cable is correctly locked in vehicle charging port.



On vehicle with Type 2 charging port (Mennekes), the charging cable will lock automatically when detected by the vehicle.

The vehicle display will switch to the charging display.



---

10. Remove the D.E.S.S. Key from the vehicle.

**NOTE:**

The display will turn off when removing the D.E.S.S. key and charging will continue until the battery state of charge reaches the level selected (80% or 100%) or the EVSE is disconnected. Make sure the charging limit and/or schedule correspond to your needs. The vehicle recharge will only initiate based on the selected vehicle recharge parameters. Refer to [Vehicle Recharge Configuration](#), page 3-129 for more information.

The charging status of the vehicle can be monitored with the console light. The light blinks while charging is in progress.





## NOTE

On vehicle with Type 2 charging port (Mennekes), the D.E.S.S. key needs to be on its post to unlock the EVSE charging cable using the left multifunction switch.

Refer to [Vehicle Charging Cable Removal \(Type-2 Connector\)](#), page 3-133 for more information

### Ideal Times to Charge

It can be helpful to avoid charging during “peak hours” if possible. Peak hours are those times when electricity demand is the highest across the power grid. Typically, charging at night avoids peak hour times. Charging the vehicle at times like this can help keep charging costs low. Check with your electric company for more information.

To schedule the charging time refer to [Vehicle Recharge Configuration](#), page 3-129.

### Vehicle Recharge Configuration

The vehicle recharge configuration can be adjusted using the **Energy** menu in the multifunction display, when the following conditions are met:

- The vehicle D.E.S.S. key is on its post
- The vehicle is connected to an EVSE and/or started and at a stop.

Long press the **Ride Settings** button on the left hand multifunction switch.



---

Use the **Menu Control** switch to select the **Energy** menu and press **OK** to confirm the selection.



The **Energy** menu provides access to the following vehicle recharge functions and

parameters:

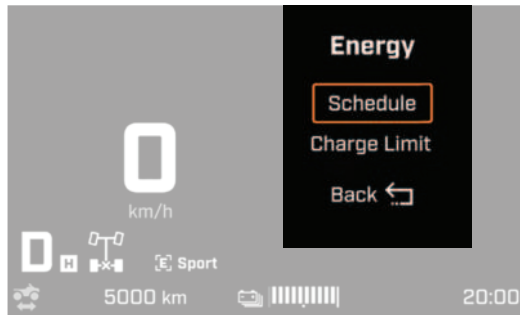
- Unlock Charging Cable (International models)
- Schedule
- Charge Limit



### Schedule Setting

The schedule setting allow the vehicle recharge to start and stop at a predefined moment, based on user preferences.

Use the **Menu Control** switch to select **Schedule** and press **OK** to confirm the selection.



Use the **Menu Control** switch to activate or deactivate the schedule charging (**On / Off**) and press **OK** to confirm the selection.



### Schedule Settings

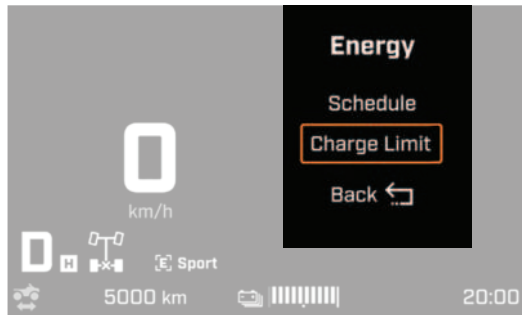
NOTE:

Activate the schedule charging to set the start and stop times using the **Menu Control** switch. Press **OK** to confirm the selection.

## Charge Limit Setting

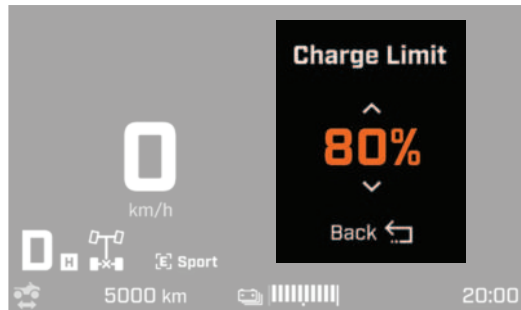
The charge limit setting allows the vehicle recharge to stop at a predefined state of charge (SoC) based on user preferences.

Use the **Menu Control** switch to select **Charge Limit** and press **OK** to confirm the selection.



**Charge Limit Settings**

Use the **Menu Control** switch to select the vehicle charge limit and press **OK** to confirm the selection.



### NOTE:

The vehicle charge limit can be set to either 80% or 100% SoC.

### Vehicle Charging Cable Removal (Type-2 Connector)

To remove the charging cable on vehicle equipped with a Type-2 (Mennekes) charging port, proceed as follows:

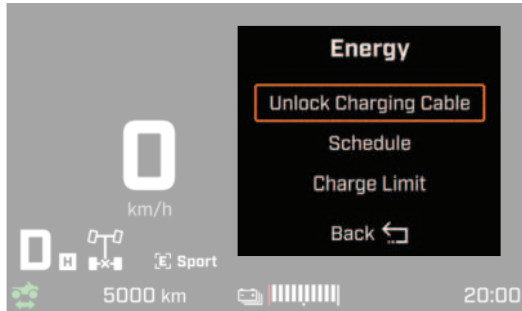
1. Install the vehicle D.E.S.S. key on its post.
2. Long press the **Ride Settings** button to access the **Energy** menu.



3. Use the **Menu Control** switch to select the **Energy** menu and press **OK** to confirm the selection.



- From the **Energy** menu, select **Unlock Charging Cable** and press **OK** to confirm the selection.



- Remove the EVSE cable from the charging port.



 **WARNING**

Do not pull out the gun without unlocking it before.

6. Install the protective cap on the vehicle charging port.



7. Close the charging port door.

---

## OPERATING THE VEHICLE

### Vehicle Preconditioning

When the vehicle high voltage battery internal temperature are below 0° C (32° F), preconditioning the battery could help to give its maximum performance from the beginning of your usage, and increase your range. The vehicle preconditioning can be done as follows:

1. Connect the vehicle to a charging station (EVSE). Refer to [Vehicle Recharge, page 3-124](#).
2. Press and release the **Start** button to wake-up the vehicle, this will begin the preconditioning.

3. Wait until you have reach the desired temperature level.



*NOTE*

Preconditioning the vehicle for 15 min will cover most situations. In extreme cold conditions, it can be longer.

4. Disconnect the vehicle from the charging station (EVSE).

### Starting the Vehicle

To activate the vehicle:

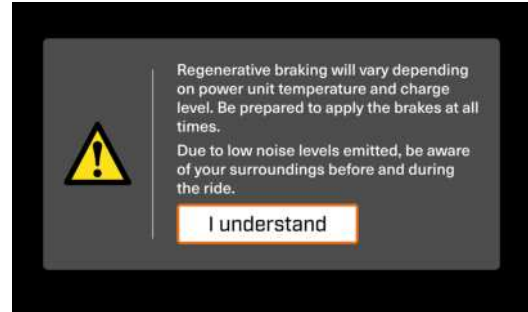
1. Install the vehicle D.E.S.S. key on its post.
2. Make sure the shift lever is in the **Park (P)** position.

3. Press the **START** button to activate the vehicle.



NOTE: The electrical system will shut down after 10 seconds if the D.E.S.S. key is removed. It will shut down after 30 seconds if the **Stop** switch is set to the **STOP** position.

4. Read and acknowledge the warning statement.



 WARNING

Regenerative braking will vary depending on power unit temperature and charge level. Be prepared to apply the brakes at all times.

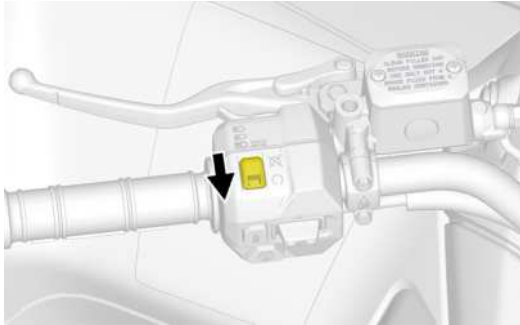
Due to low noise levels emitted, be aware of your surroundings before and during the ride.

The vehicle is ON. The park (P) gear is displayed. STOP SWITCH ACTIVATED is also displayed.





5. Push the stop switch to the **ON** position.



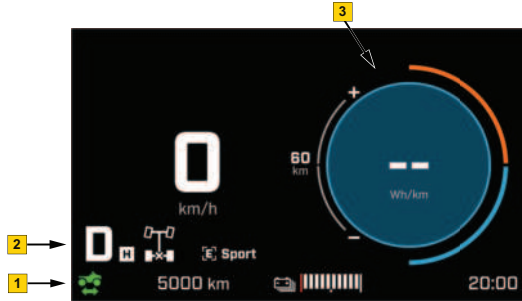
### Ready to Move

When ready to move, set the shift lever to the high (**H**) or low (**L**) position. Refer to [Changing Gear Selection](#), page 3-142.

Doing so will activate the vehicle propulsion system and will allow the vehicle to move when depressing the accelerator lever.

You can recognize the vehicle propulsion system to be activated when the vehicle icon is visible on the bottom left corner of the multifunction display, and when the selected propulsion drive direction indicator is displayed, either forward (**D**) or reverse (**R**) direction.

When the vehicle propulsion system is activated, the right circular gauge is pulsating with light blue indicating the vehicle is ready to move.



1. Vehicle icon
2. Selected propulsion drive direction
3. Right circular gauge blue pulse

Once the vehicle has started to move the blue pulsation will stop but the vehicle icon and selected propulsion drive direction indicator will remain visible. When the vehicle is stopped, the right circular gauge will be filled with light blue indicating the vehicle is still ready to move.

**WARNING**

Avoid unintentional movement of the vehicle. Accidental pressing of the accelerator lever could cause severe injury or death to you or bystanders. Be aware that this vehicle does not produce engine noise to indicate when the propulsion system is activated.

Always look for the vehicle icon, the right circular gauge and drive direction (forward(**D**) or reverse(**R**)) in the multifunction display before reaching for the accelerator lever.

If there is no user interaction with the vehicle for ninety (90) seconds, a tone will sound, and the vehicle propulsion system will automatically deactivate. To keep the propulsion system active, depress the brake pedal or brake lever and this will reset the inactivity for another ninety (90) seconds.

### WARNING

NEVER leave the vehicle with the propulsion system active, as any touch of the accelerator lever will lead to vehicle movement. When you do not need to move, ALWAYS put the vehicle shift lever on PARK and put the **Run/Stop** switch to STOP position.

To deactivate vehicle propulsion system when the vehicle is stopped, proceed as follows:

- Set the shift lever to **PARK (P)** position. [Shift Lever Operation, page 3-26](#).
- Push the **Run/Stop** switch in **Stop** position. Refer to [Left Multifunction Switch, page 3-17](#); or

When the propulsion system is disabled, the ON icon will appear on the bottom left corner of the multifunction display, and no drive direction icons will be visible.

When the vehicle propulsion system has been automatically deactivated, it can be enabled with the sequence.

### How to Engage Reverse

The reverse mode can be engaged when the shift lever is in the high (**H**) or low (**L**) position and the drive (**D**) is displayed in the multifunction display.

To engage the reverse mode, completely release your thumb from the accelerator lever, then depress and release the **Start** for 0.5 second. The Reverse (**R**) will be visible in the multifunction display. Make sure the Reverse (**R**) mode is active before pushing the accelerator lever.

To engage the forward mode, press and release again the **Start** button. The Drive **(D)** (forward) will be visible in the multifunction display. Make sure Drive **(D)** (forward) mode is active before pushing the accelerator lever.

The change in direction (forward to reverse or reverse to forward) is possible while the vehicle is in motion at a speed less than 20 km/h (12 MPH), as long as the accelerator lever is completely released while the **Start** button is pressed and released.



#### NOTE

In reverse operation, the E-motor RPM is limited, thus limiting the vehicle reverse speed.



#### WARNING

When driving downhill, gravity can increase the vehicle speed above the set limited speed.

## Changing Gear Selection

1. Apply brakes and immobilize the vehicle.
2. With vehicle immobilized, select the desired shift lever position.

#### NOTICE

When changing gear selection, always completely stop the vehicle and make sure the vehicle is immobilized, use brake if needed. Otherwise damage to the gearbox may occur.

## Drivetrain Traction Modes

Before switching between 2WD or 4WD modes, bring the vehicle to a complete stop.

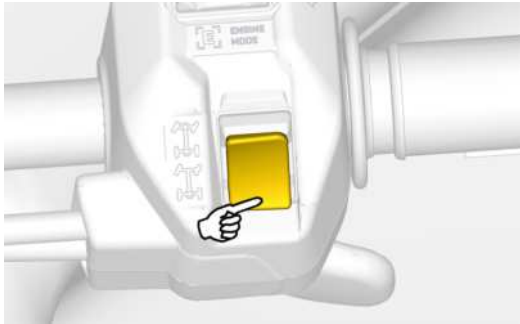
#### NOTICE

Front differential damage may occur if the 2WD/4WD selector is used while vehicle is moving.

## 2WD Mode

In this mode, the high-voltage propulsion system power is transferred through the rear wheels only.

To engage 2WD mode, press the **BOTTOM** of the selector switch.



Typical

## 4WD Mode

In this mode, the high-voltage propulsion system power is distributed to both the front and the rear wheels.

To engage 4WD mode, press the **TOP** of the selector switch.



Typical

---

## Dynamic Power Steering (DPS) Modes

The tri-mode Dynamic Power Steering (DPS) offers easy steering assistance to the rider. The level of assistance will automatically adapt according to the vehicle's speed and rider's demand, in order to provide maximum steering power at lower speed where the demand is normally higher. As speed increases, the assistance is progressively reduced to keep maximum steering feel and precision to the rider.

It is possible to choose between three modes of assistance: Minimum, Medium and Maximum. Each mode will continue to automatically adapt to the vehicle's speed and rider's demand, so it does not require to be changed when riding. These modes are used to set the level of assistance to match each rider's preferences.

The following DPS modes are preset in the vehicle:

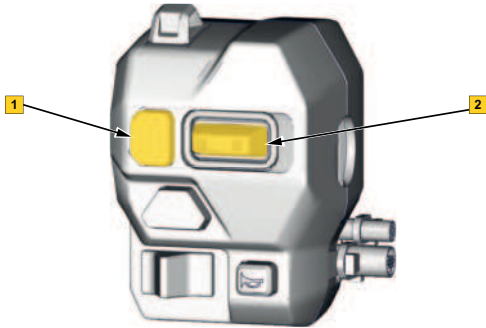
<i>DPS MODES</i>	
DPS MAX	Maximum steering assist
DPS MED	Medium steering assist
DPS MIN	Minimum steering assist

To change the DPS mode using the multifunction switch, the vehicle must be ON.

## VEHICLE INFORMATION

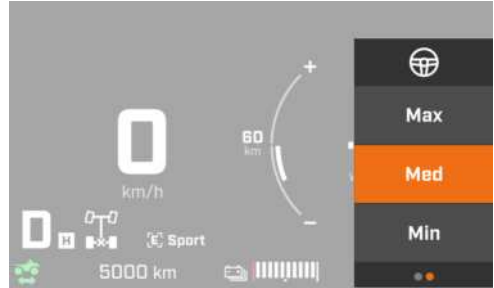
To select a DPS mode:

- Press the Ride settings button repeatedly until the DPS menu (steering icon) is displayed on the multifunction display.



1. Ride settings button
2. Menu control switch

- Push the Menu control switch up or down to select the desired DPS mode.



- Press **OK** on the control switch to confirm the selection, or just wait for the DPS menu to disappear by itself.

## Engine Modes

This vehicle is equipped with two specific modes, other than **NORMAL** that can be selected:

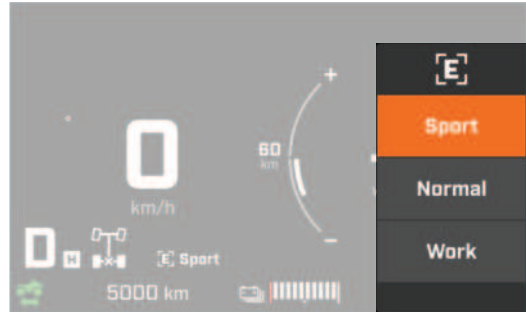
- **WORK**
- **SPORT**

### **WORK** Mode

The **WORK** mode provides a smoother accelerator lever response.

### **SPORT** Mode

The **SPORT** mode provides a crisper accelerator lever response. This mode can be activated with all key types and provides the maximum power.



The engine mode can be changed using the **Engine Mode Selector** on the right multifunction switch. Refer to [Right Multifunction Switch Operation](#), page 3-23.



### Speed Override Function

This function allows to temporary bypass the vehicle speed limitation when the vehicle is used in reverse or when the speed limiter mode is activated and the vehicle is used in forward.

#### NOTE:

Make sure the area around the vehicle is clear before using the override mode.

The override mode must be used only at low speed and when the vehicle is caught in mud or other soft terrain.

Do not use the override mode when driving normally in reverse, this would result in excessive speed.

Do not use the override mode when driving normally in 4WD mode, otherwise a loss of control could occur.

To activate the speed override function, proceed as follows:

1. Press and hold the **Start** button then press the accelerator lever gradually

#### NOTE:

When using the override function, a notification will be visible in the multifunction display to confirm that the Override function is activated.

2. To disengage the override function, simply release the **Start** button and the default or previously set speed limitation will return to their settings.

#### WARNING

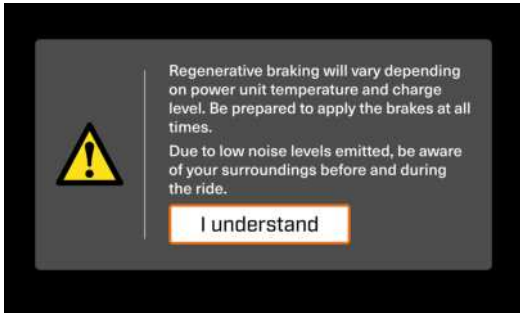
Do not use the speed override mode when driving normally in reverse, this could result in excessive speed.

In reverse, the speed override mode should be use only at low speed when the vehicle is caught in mud or in soft terrain, and make sure the area around the vehicle is safe and clear.

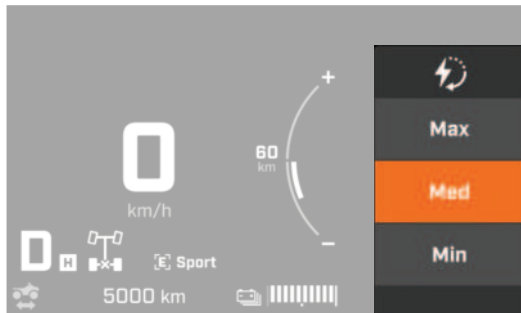
---

## Regen Modes

When activating the vehicle, the following warning appears. It must be read and acknowledged:



When decelerating, energy is returned automatically to the high-voltage battery. The level of returned energy and deceleration depends on the battery temperature and battery state of charge, but also on the regen mode selected. Three regen modes can be selected (Min, Med, and Max) to adjust the level of deceleration according to your preference. The MAX settings will allow more deceleration and more energy to be returned to the battery, and less brake usage.



Regenerative braking is not available over 90% SOC, and is not available when the battery temperature is below 0 ° C (32 ° F). For information on how to precondition the battery to optimize performance in cold temperatures, refer to [Vehicle Preconditioning, page 3-136](#).

It is therefore not a substitute for the vehicle brakes, which should be used to stop the vehicle.

### Speed Limiter Mode

This vehicle is equipped with a speed limiter mode that allows the operator to set the desired maximum speed.

After setting the speed limit to its SET value, the operator must keep the accelerator depressed to maintain any speed up to that value. Speed will not exceed the SET value.

While proceeding under a constant speed setting, the operator should stay alert and maintain good situational awareness.

Slowing down is a matter of releasing the accelerator lever.

---

## Activating Speed Limiter Mode

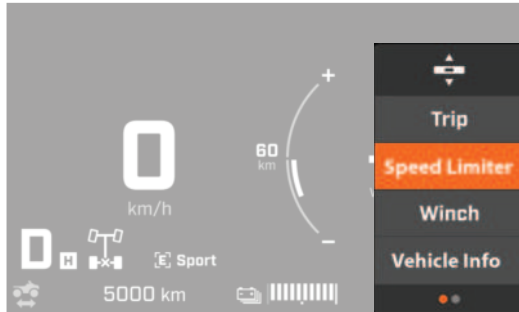
1. Select the Speed Limiter menu using the **Ride Setting** button on the left multifunction switch.



2. To select the speed limit needed for your task, there are two available options:
  - Move the toggle switch up until you reach the desired value, then press and hold the **OK** button for 1 second. The icon will turn green to acknowledge your selection.
  - Press the accelerator lever and move it to the desired speed. Once you are at or near the desired speed, press and hold the **OK** button for 1 second. The icon will turn green to acknowledge your selection. Then move the toggle switch up or down to adjust to your exact desired speed.

## Deactivating Speed Limiter Mode

1. Select the Speed Limiter menu using the **Ride Setting** button on the left multifunction switch.



2. Press and hold **OK** button to turn off the speed limiter.



---

## Parking the Vehicle

 WARNING

Always apply the parking brake when the vehicle is not in operation by engaging the brake lock lever **and** moving the shift lever on the PARK position.

This is especially important when parking on a slope. On very steep inclines or if the vehicle is carrying a cargo, the wheels should be blocked using rocks or bricks (or ideally, wheel chocks).

 WARNING

Avoid parking the vehicle on steep slope as the vehicle may roll away.

 WARNING

Avoid parking in places where hot parts can start a fire.

1. Select the flattest terrain available for parking.
2. Release the accelerator lever and use brakes to completely stop the vehicle.
3. Set shift lever in PARK position.
4. Engage the brake lock lever.
5. Turn OFF the vehicle by pushing the run/stop switch to the STOP position, and/or remove the DESS key from its post.

### BREAK-IN PERIOD

#### Brakes



#### WARNING

New brakes will not operate at their maximum efficiency until their break-in is completed. Braking performance may be reduced, so use extra caution.

Apply moderate braking force for the 40 to 50 first braking events.

---

## TUNE YOUR RIDE

### WARNING

Suspension adjustment could affect vehicle handling.

Always take time to familiarize yourself with the vehicle's behavior after any suspension adjustment has been made.

Choice of suspension adjustments vary with carrying load, operator's weight, personal preference, riding speed and field conditions.

### WARNING

Before proceeding with any suspension adjustment, remember:

- Park in a safe place.
- Remove the tether cord cap from the cut-off switch.
- Use appropriate lifting device.
- Support the front of vehicle off the ground with a suitable device before adjusting suspension.
- Support the front of vehicle off the ground with a suitable device before adjusting suspension.
- Make sure support device is stable and secure.



Following are guidelines to fine-tune suspension. Use the suspension adjustment tool provided in the tool kit.

## Suspension Adjustments

### Suspension Factory Settings

Factory settings are suitable for almost all conditions.

Take into consideration that an increase in ground clearance can affect the handling of the vehicle.

#### Front Suspension

<b><i>Spring Preload</i></b>
Cam position 3 (soft)


#### Rear Suspension

<b><i>Spring Preload</i></b>
Cam position 3 (soft)

3

### Suspension Adjustment Guidelines

Your vehicle handling and comfort depend upon suspension adjustments.

 <b>WARNING</b>
Suspension adjustment could affect vehicle handling. Always take time to familiarize yourself with the vehicle's behavior after any suspension adjustment has been made.

---

Choice of suspension adjustments vary with vehicle load, personal preference, riding speed and terrain condition.

The best way to set up the suspension, is to start from factory settings, then customize each adjustment one at a time.

Front and rear adjustments are interrelated. It may be necessary to readjust the rear shock absorbers after adjusting front shock absorbers for instance.

Test run the vehicle under the same conditions; trail, speed, load, etc. Change one adjustment and retest. Proceed methodically until you are satisfied.

## Spring Preload Adjustment

The spring preload affects the ground clearance of the vehicle.

Shorten the spring for a firmer ride and rough riding condition or when pulling a trailer.

Lengthen the spring for a softer ride and smooth riding condition.

1. Set the shift lever to PARK (P).
2. Engage the brake lock lever.
3. Lift the vehicle using a suitable device. Refer to [Lifting the Vehicle, page 2-97](#).

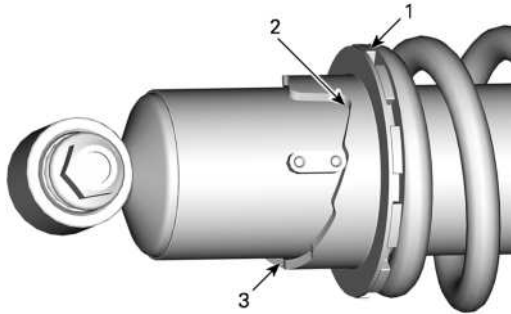
### WARNING

The left and right shock adjustment on front or rear suspension must always be set to the same position.

Never adjust one shock only.

Uneven adjustment can cause poor handling and loss of stability, which could lead to an accident.

4. Using the multifunction tool, turn the adjusting cam to adjust the spring preload.



1. Turn adjusting cam
2. Soft adjustment
3. Firm adjustment

5. Lower the vehicle.
6. Ride the vehicle to verify adjustment.
7. Readjust the suspension as required.



## **4 MAINTENANCE - TABLE OF CONTENTS**

---

### **PERIODIC MAINTENANCE . . . . . 4-2**

Maintenance Schedule . . . . . 4-6

Maintenance Records . . . . . 4-12

### **MAINTENANCE**

### **PROCEDURES . . . . . 4-28**

Chassis . . . . . 4-29

Cooling System . . . . . 4-35

Drive System . . . . . 4-47

Low Voltage Electrical System . . . . . 4-65

High-Voltage Electrical System . . . . . 4-79

### **STORAGE AND PRESEASON**

### **PREPARATION . . . . . 4-80**

Storage . . . . . 4-80

Preseason Preparation . . . . . 4-82

### **VEHICLE CARE . . . . . 4-83**

Vehicle Care General . . . . . 4-83

Vehicle Cleaning . . . . . 4-84

Vehicle Protection . . . . . 4-86

---

## PERIODIC MAINTENANCE

### Periodic Maintenance General

Maintenance is very important for keeping your vehicle in safe operating condition.

The vehicle should be serviced as per the maintenance schedule.

Proper maintenance is the owner's responsibility. A warranty claim may be denied if, among other things, the owner or operator caused the problem through improper maintenance or use.

Perform periodic checks and follow the maintenance schedule. **The maintenance schedule does not exempt the pre-ride inspection.**



**WARNING**

Failure to properly maintain the vehicle according to the maintenance schedule and procedures can make it unsafe to operate.

## Periodic Maintenance

Make sure to perform proper maintenance at recommended intervals as indicated in the tables.

The maintenance chart intervals are based on 3 factors:

- Calendar time
- Odometer reading.

Take in account whichever comes first to determine the maintenance threshold.

Your driving habits determines the factors you shall adhere too. For example:

- Someone who uses their vehicle seldomly over the year or only on a few occasions (hunting, camping) would most likely follow the **calendar time** to determine the maintenance interval.
- Someone who uses their vehicle daily / weekly for long periods of time such as agricultural / work would most likely follow the **odometer reading** to determine the maintenance interval.

---

## Types of Usage

If your vehicle is used in the following purpose, refer to the **Regular Duty** intervals.

- For regular and light utility activity.

If your vehicle is used in the following conditions, refer to the **Severe Duty** intervals.

- Repeated high hauling or towing load, or severe environment.
  - The increased workload applied to the drive system accelerates the differential and gearbox / transmission oil life. This reduces internal component longevity if not replaced more frequently.

### IMPORTANT

Items marked with an asterisk (\*) indicates inspection points applicable to Severe Duty intervals. Maintenance actions must be performed at half the Regular Duty interval.

Higher than average utility / commercial use requires more frequent fluid / wear component replacement than recreational, or occasional utility purposes.

### IMPORTANT

The following tables show the appropriate maintenance application for the first 3 years. For subsequent years, repeat the same pattern alternatively.



<b>Maintenance Overview</b>		
<b>Calendar Years</b>	<b>Odometer</b>	<b>Regular Duty (A / B)</b>
1	3000 km (1900 mi)	<b>A</b>
2	6000 km (3700 mi)	<b>A and B</b>
3	9000 km (5600 mi)	<b>A</b>

## Maintenance Schedule

### IMPORTANT

Items marked with an asterisk (\*) indicates inspection points applicable to Severe Duty intervals. Maintenance actions must be performed at half the Regular Duty interval.

### Outlander / Outlander Max Electric Series

<i>Legend</i>	<i>A</i>	<i>B</i>
<i>A = Adjust</i> <i>C = Clean</i> <i>I = Inspect</i>		
<i>L = Lubricate</i> <i>R = Replace</i> <i>T = Torque</i>		
	<i>Every year or 3000 km (1900 mi)</i>	<i>Every 2 years or 6000 km (3700 mi)</i>
<b>Body, Chassis and Accessories</b>		
Body panels and hardware	I, T	
Frame condition	I	
Pivots, latches and hinges	L	

<b>Legend</b>	<b>A</b>	<b>B</b>
<b>A = Adjust</b> <b>C = Clean</b> <b>I = Inspect</b>		
<b>L = Lubricate</b> <b>R = Replace</b> <b>T = Torque</b>	<b>Every year or 3000 km (1900 mi)</b>	<b>Every 2 years or 6000 km (3700 mi)</b>
Seat Latch	I	
Tow Hitch	I	
Winch (if equipped)*	I	
<b>Brake</b>		
Brake components and function (oil level, brake pads, brake discs, calipers, brake lines, master cylinder)*	I, C, L or R	
Brake fluid	<b>R</b> Every 2 years	
<b>Controls</b>		
Gearbox position lever operation (P-H-N-L)	I, A	
Accelerator lever operation	I	

<b>Legend</b>	<b>A</b>	<b>B</b>
<b>A = Adjust</b> <b>C = Clean</b> <b>I = Inspect</b>		
<b>L = Lubricate</b> <b>R = Replace</b> <b>T = Torque</b>	<b>Every year or 3000 km (1900 mi)</b>	<b>Every 2 years or 6000 km (3700 mi)</b>
<b>Cooling</b>		
Coolant	<b>R</b> Every 5 years or 12000 km (8000 mi)	
Cooling components (coolant concentration, coolant level, hose condition, clamps, leaks)	<b>I</b>	
Radiator	<b>C</b>	
<b>Drive</b>		
Gearbox oil and rear final drive oil*	<b>R</b> Replace at first 3000 km (1900 mi) and at 6000 km (3700 mi), then follow the regular schedule	

<b>Legend</b>	<b>A</b>	<b>B</b>
<b>A = Adjust</b> <b>C = Clean</b> <b>I = Inspect</b>  <b>L = Lubricate</b> <b>R = Replace</b> <b>T = Torque</b>	<b>Every year or            3000 km (1900 mi)</b>	<b>Every 2 years or            6000 km (3700 mi)</b>
Gearbox oil*	I, A	R
Front differential oil*	I, A	R
Rear final drive oil*	I, A	R
Tires (wear and pressure)*	I, A	
Wheel lug nuts*	T	
Drive components and function <sup>1*</sup>	I	
<b>Electrical - 12V</b>		
Battery connections and condition	I	
Low voltage electrical harness routing	I	
Electronic modules (Fault codes and applicable software updates)	I	

<b>Legend</b>	<b>A</b>	<b>B</b>
<b>A = Adjust</b> <b>C = Clean</b> <b>I = Inspect</b>		
<b>L = Lubricate</b> <b>R = Replace</b> <b>T = Torque</b>		
	<b>Every year or 3000 km (1900 mi)</b>	<b>Every 2 years or 6000 km (3700 mi)</b>
Operation of control switches and lighting (All lights operation, all switches operations) <sup>1</sup>	I	
<b>Electrical - High Voltage</b>		
Charging port	I	
High voltage cables	I	
High voltage components cooling <sup>1</sup>	I	
High voltage ground straps	I	
<b>Steering</b>		
Steering components and function <sup>1*</sup>	I	
Steering column half bushings		C, L

## MAINTENANCE

<i>Legend</i>	<i>A</i>	<i>B</i>
<i>A = Adjust</i> <i>C = Clean</i> <i>I = Inspect</i> <i>L = Lubricate</i> <i>R = Replace</i> <i>T = Torque</i>	<i>Every year or 3000 km (1900 mi)</i>	<i>Every 2 years or 6000 km (3700 mi)</i>
<b>Suspension</b>		
Suspension components and function <sup>1*</sup>	I	

4

<sup>1</sup>For an extensive list of maintenance actions to be performed, refer to your local dealership.

---

## **Maintenance Records**

Send photocopies of the maintenance records to BRP if needed.



<i>Pre-delivery</i>	
Serial number:	Signature/Print:
Km/ Mileage:	
Hours:	
Date:	
Dealer no:	
Notes:	
Refer to vehicle Pre-Delivery Bulletin for detailed installation procedures	

---

***First inspection***

Km/ Mileage:

\_\_\_\_\_

Hours:

\_\_\_\_\_

Date:

\_\_\_\_\_

Dealer no:

\_\_\_\_\_

Notes:

\_\_\_\_\_

\_\_\_\_\_

Signature/Print:

For maintenance schedule refer to Maintenance Information section of this operator's guide

<i>Service</i>	
Km/ Mileage:	Signature/Print:
Hours:	
Date:	
Dealer no:	
Notes:	
For maintenance schedule refer to Maintenance Information section of this operator's guide	

---

**Service**

Km/ Mileage:

\_\_\_\_\_

Hours:

\_\_\_\_\_

Date:

\_\_\_\_\_

Dealer no:

\_\_\_\_\_

Notes:

\_\_\_\_\_

\_\_\_\_\_

Signature/Print:

For maintenance schedule refer to Maintenance Information section of this operator's guide



---

**Service**

Km/ Mileage:

\_\_\_\_\_

Hours:

\_\_\_\_\_

Date:

\_\_\_\_\_

Dealer no:

\_\_\_\_\_

Notes:

\_\_\_\_\_

\_\_\_\_\_

Signature/Print:

For maintenance schedule refer to Maintenance Information section of this operator's guide

<i>Service</i>	
Km/ Mileage: _____ Hours: _____ Date: _____ Dealer no: _____ Notes: _____ _____	Signature/Print:          
For maintenance schedule refer to Maintenance Information section of this operator's guide	

---

**Service**

Km/ Mileage:

\_\_\_\_\_

Hours:

\_\_\_\_\_

Date:

\_\_\_\_\_

Dealer no:

\_\_\_\_\_

Notes:

\_\_\_\_\_

\_\_\_\_\_

Signature/Print:

For maintenance schedule refer to Maintenance Information section of this operator's guide





---

**Service**

Km/ Mileage:

\_\_\_\_\_

Hours:

\_\_\_\_\_

Date:

\_\_\_\_\_

Dealer no:

\_\_\_\_\_

Notes:

\_\_\_\_\_

\_\_\_\_\_

Signature/Print:

For maintenance schedule refer to Maintenance Information section of this operator's guide



---

**Service**

Km/ Mileage:

\_\_\_\_\_

Hours:

\_\_\_\_\_

Date:

\_\_\_\_\_

Dealer no:

\_\_\_\_\_

Notes:

\_\_\_\_\_

\_\_\_\_\_

Signature/Print:

For maintenance schedule refer to Maintenance Information section of this operator's guide

<i>Service</i>	
Km/ Mileage:	Signature/Print:
Hours:	
Date:	
Dealer no:	
Notes:	
For maintenance schedule refer to Maintenance Information section of this operator's guide	

---

**Service**

Km/ Mileage:

\_\_\_\_\_

Hours:

\_\_\_\_\_

Date:

\_\_\_\_\_

Dealer no:

\_\_\_\_\_

Notes:

\_\_\_\_\_

\_\_\_\_\_

Signature/Print:

For maintenance schedule refer to Maintenance Information section of this operator's guide



---

## MAINTENANCE PROCEDURES

This section includes instructions for basic maintenance procedures.

Due to the complexity of some maintenance procedures, good mechanical skills are required.

Several procedures must be done by an authorized Can-Am Off-road dealer, repair shop, or person of your own choosing.

If you are not comfortable with the mechanics, do not hesitate to contact an authorized Can-Am Off-road dealer, repair shop, or person of your own choosing.



**DANGER**

Risk of **SERIOUS INJURY** or **DEATH** from **ELECTRIC SHOCK, ARC FLASH** or **FIRE**.

The vehicle's high-voltage propulsion system is a self contained system.

- Do not tamper with the high-voltage components in any way.
- The user safety is ensured as long as the high-voltage components are not manipulated and/or modified while the vehicle is activated.
- BRP strongly recommends tasks involving the high-voltage propulsion system to be performed by an authorized BRP dealer.





## WARNING

Avoid electric shock that could lead to severe injury or death when performing inspections, maintenance works, or adjustment procedures.

- Procedures not described in the following sections require special tools and thorough knowledge of the technology involved.
- Do not perform tasks that deviates from those contained in this operator's guide.
- Always perform inspections, maintenance and/or adjustment tasks described in the following sections with the vehicle charging cable disconnected, the stop switch in the OFF position and the vehicle key removed, unless otherwise stated.
- Usage of personal protective equipment (PPE), such as safety glasses and shoes, is recommended.

## Chassis

### Chassis System Maintenance and Servicing

To keep the chassis system in good condition, the following tasks must be done as per the [Maintenance Schedule, page 4-6](#).

- Clean and lubricate pivots, latches and hinges.
- Inspect and torque body panel and hardware fixations.
- Inspect passenger handles, if equipped.
- Inspect the frame for damage or cracking.
- Inspect and clean skid plates.
- Inspect the tow hitch.

See an authorized BRP dealer for completion of the chassis system maintenance and servicing.

---

## BRAKES

### Brake System Maintenance and Servicing

To keep the brake system in good condition, maintenance and servicing tasks must be done as per the [Maintenance Schedule, page 4-6](#).

The brake system inspection, maintenance and repair should be performed by an authorized Can-Am Off-Road dealer, a repair shop or person of your choosing.

However, verify the following between visits to your dealer:

- Brake fluid level
- Brake system for fluid leaks
- Brake pad wear
- Brake cleanliness



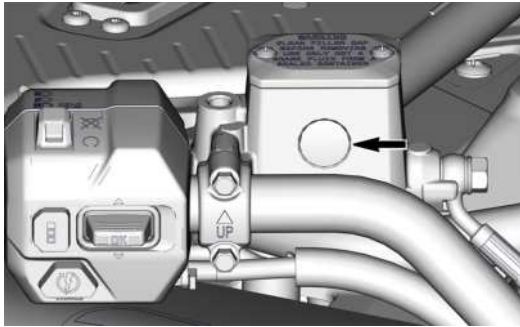
#### WARNING

The brake fluid replacement or brake system maintenance and repairs should be performed by an authorized Can-Am dealer.

### Front Brake Reservoir Level Verification

1. Turn steering in the straight-ahead position to ensure reservoir is level.

2. Check the brake fluid level. The reservoir is full when the fluid reaches of the top of the window.



**Reservoir Window**

3. Visually inspect lever bellow condition.
4. Check for cracks, tears, etc. Replace if damaged.

## Rear Brake Reservoir Level Verification

1. Remove the RH side panel.
2. With vehicle on a level surface, liquid should be between the UPPER and LOWER marks of brake pedal fluid reservoir.



4

---

## Brake Fluid Specification

The brake fluid is specially formulated to meet the requirements of your vehicle. BRP strongly recommends the use of the appropriate brake fluid.

Refer to your vehicle [6 Technical Specifications, page 6-2](#) for fluid specifications and quantity.

### NOTICE

To avoid serious damage to the braking system, do not use fluids other than the recommended one, nor mix different fluids for topping up.

Do not use brake fluid taken from old or already opened containers.

## Brake Reservoir Fluid Refill

1. Clean reservoir cap.

### WARNING

Clean the reservoir cap before removing to avoid brake system contamination.

2. Remove the reservoir cap.
3. Add fluid as required using a clean funnel. **Do not overfill.**

### NOTICE

Brake fluid can damage plastic and painted surface. Wipe off and clean any spillage.

4. Reinstall the reservoir cap.

### NOTICE

Ensure filler cap diaphragm is pushed inside the cap before closing the brake fluid reservoir.

5. Tighten screws to specification.

Tightening Torque	
Front brake fluid reservoir screws	1.3 ± 0.1 Nm (12 ± 1 lbf-in)
Rear brake fluid reservoir screws	0.75 ± 0.25 Nm (7 ± 2 lbf-in)

## STEERING

### Steering System Maintenance and Servicing

To keep steering system in good condition, the following tasks must be done as per the [Maintenance Schedule, page 4-6](#).

- Inspect steering column.
- Inspect tie-rods for signs of bending.
- Inspect tie-rod ends for abnormal play.
- Clean and lubricate steering column half bushings.

For safety reasons, BRP strongly recommends maintenance tasks involving the steering system to be performed by an authorized BRP dealer. Completion of all maintenance and servicing tasks requires special tools and thorough knowledge of this vehicle steering system.

---

## Tie-Rod Ends Inspection

1. Place vehicle on a level surface.
2. Place the shifter in P position.
3. Apply the brake lock lever.
4. Lift and secure the vehicle on jack stands.
5. Inspect tie-rod bellows for cracks.
6. Push and pull the wheels from the front or rear edge to feel the play.



### WARNING

The tie-rod end must be replaced if the bellow is cracked or shows an abnormal play.

7. Repair or replace damaged parts as necessary.

See an authorized Can-Am Off-road dealer for repair or replacement.

## SUSPENSION

### Suspension Maintenance and Servicing

To keep the suspension in good condition, the following tasks must be done as per the [Maintenance Schedule, page 4-6](#).

- Inspect ball joints for abnormal play.
- Inspect shock absorber bushings for looseness.
- Inspect shock absorbers for leaks or other damages.
- Inspect stabilizer bar bushings.
- Inspect suspension arm bushings for wear.
- Inspect suspension arms for cracks or bending.
- Inspect of the sway bar bushings for delamination or wear.

See an authorized BRP dealer for completion of the suspension maintenance and servicing.

## Front Suspension Arms Inspection

1. Check suspension arms for cracks, bending or other signs of excessive wear or damage.

## Rear Suspension Arms Inspection

1. Check suspension arms for cracks, bending or other damages.

## Shock Absorbers Inspection

1. Inspect shock absorber for leaks, bump stop wear out or other damages.

## Cooling System

### Cooling System Maintenance and Servicing

To keep the cooling system in good condition, the following tasks must be done as per the [Maintenance Schedule, page 4-6](#):

- Clean the radiator and grille;
- Inspect the cooling system components (clamps, hoses and radiator condition, leaks);
- Verify the coolant level, refill and or replace as required.

See an authorized BRP dealer for completion of the cooling system maintenance and servicing.

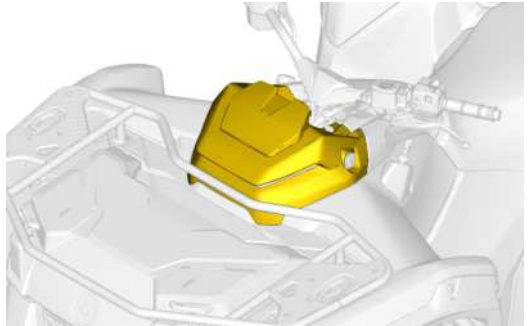
## Coolant Level Verification

### NOTICE

A cooling system that frequently requires coolant is an indication of leaks. See an authorized Can-Am Off-road dealer.

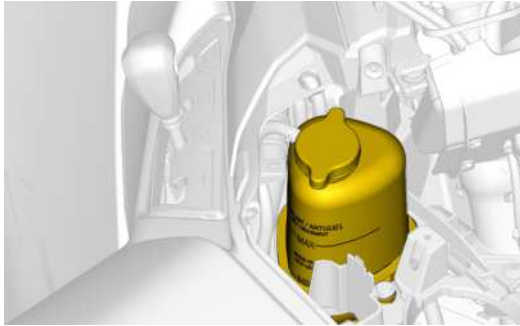
1. Place vehicle on a level surface.

2. Remove the console. Refer to [Console Removal, page 3-31](#).





3. Check the coolant level. The liquid should be between MIN. and MAX. level marks of the coolant reservoir.



### NOTICE

When checking level at temperature lower than 20 °C (68 °F), it may be slightly lower than MIN. mark.

4. If required, remove the coolant reservoir cap to add coolant.

### WARNING

Do not remove the coolant reservoir cap if coolant is hot.



**NOTE:**

Use a funnel to avoid spillage. **Do not overfill.**

5. Properly reinstall and tighten reservoir cap.
6. Reinstall the console. Refer to [Console Installation, page 3-35](#).

## Coolant Specification

The XPS coolant is specially formulated to meet the requirements of your vehicle cooling system and components. BRP strongly recommends the use of its XPS coolant.

Refer to your vehicle [6 Technical Specifications, page 6-2](#) for fluid specifications and quantity.

**NOTICE**

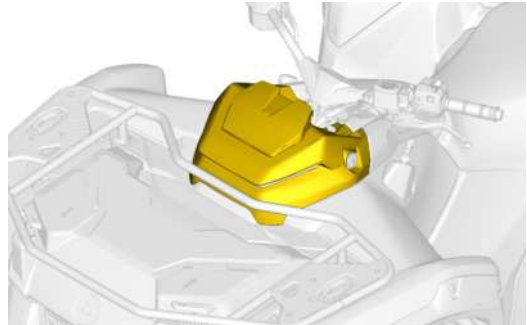
Always use ethylene-glycol premixed antifreeze containing corrosion inhibitors.

## Coolant Tank Refill

**NOTICE**

Always use ethylene-glycol premixed antifreeze containing corrosion inhibitors.

1. Remove the console. Refer to [Console Removal, page 3-31](#).

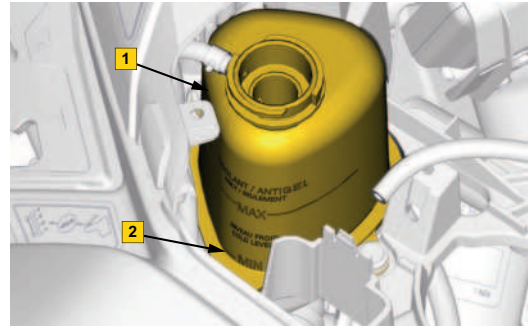


2. Ensure that the coolant in the vehicle is cold.
3. Remove the coolant tank cap.

**⚠ WARNING**

Do not remove the coolant reservoir cap if coolant is hot.

4. Fill the coolant tank until the coolant level reaches the MIN level line.



1. Coolant tank.

2. MIN level line.

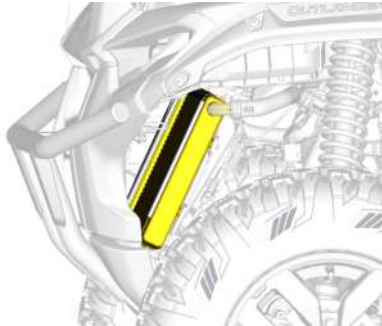
5. Install the coolant tank cap.
6. Install the console. Refer to [Console Installation, page 3-35](#).

---

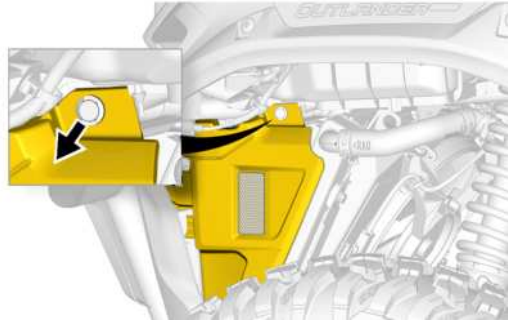
## RADIATOR

### Radiator Inspection

Periodically check the radiator area for cleanliness. Remove debris, if necessary.



1. Remove the plastic rivet from the front air deflectors on each side of the radiator.



2. Remove the front air deflectors.



3. Inspect radiator and hoses for leaks or any damage.
4. Inspect radiating fins. They must be clean, free of mud, dirt, leaves and any other deposit that would prevent the radiator to cool properly.

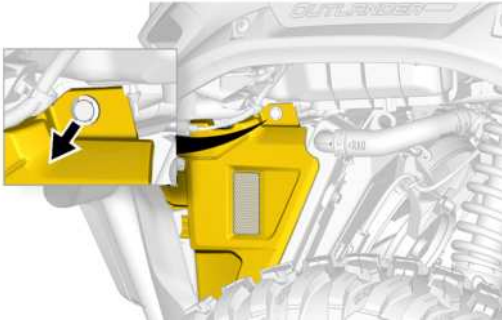
5. Clean the radiator if required.

See an authorized Can-Am Off-road dealer, repair shop or person of your own choosing to check the performance of the cooling system.

### Radiator Cleaning

If the radiating fins need to be cleaned proceed as follows:

1. Remove the plastic rivet from the front air deflectors on each side of the radiator.



2. Remove the front air deflectors.



3. Remove as much of any deposits as you can with your hands.

If water is available, try rinsing the radiator fins.

## CAUTION

Never clean radiator with your hands when it is hot.  
Let the radiator cool down before cleaning.

## NOTICE

Be careful not to damage the radiating fins when cleaning.

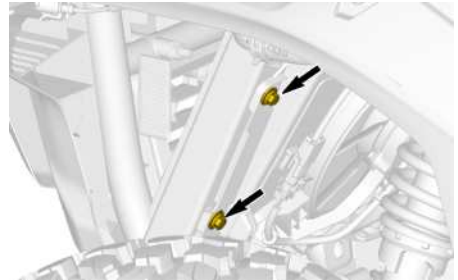
Do not use any object/tool that could damage the fins.

The fins are purposely thin parts to allow efficient cooling.

When hosing, use low pressure only.

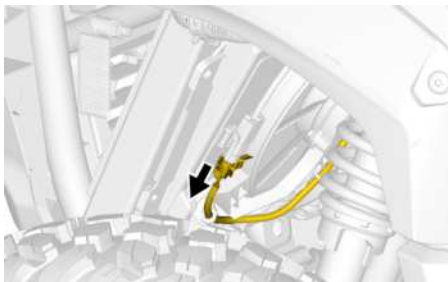
Never use a HIGH PRESSURE washer.

4. In some case, the removal of the radiator fan may be necessary to clean the radiator fully.
  1. Remove the four screws and washers securing the radiator fan to the radiator.

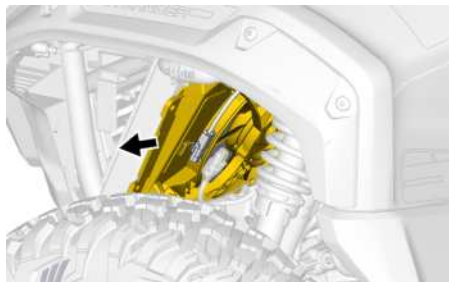


**Left Side Shown**

2. Disconnect the radiator fan connector.

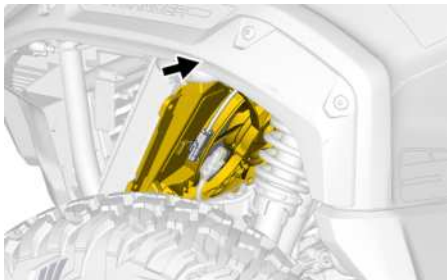


3. Pull the radiator fan towards the left of the vehicle.

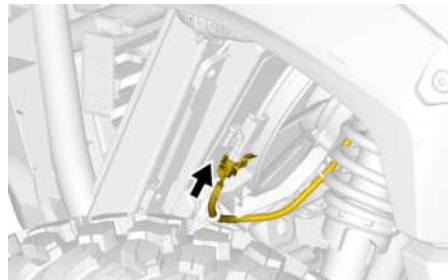


5. After cleaning the radiator, install the radiator fan, if removed.
1. Insert the radiator fan from the left side of the vehicle.

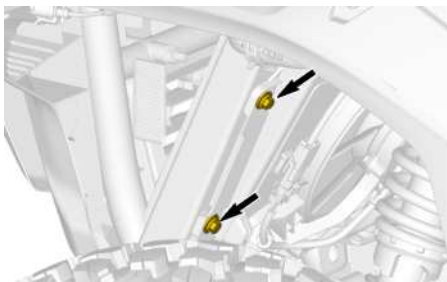




2. Connect the radiator fan connector.



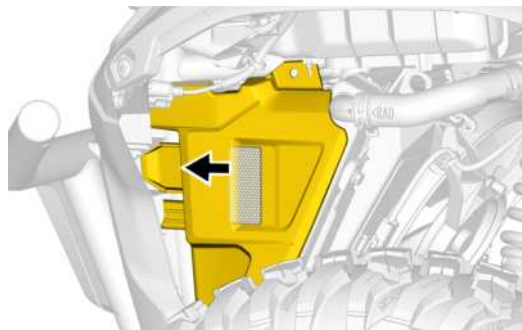
3. Install the four screws and washers securing the radiator fan to the radiator. Tighten to specification.



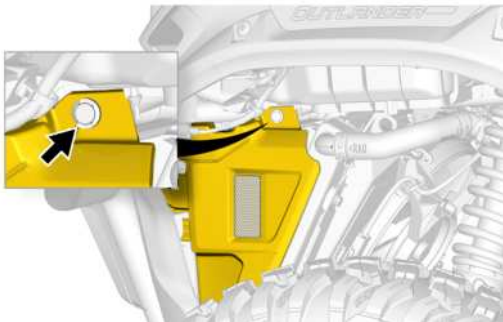
Left Side Shown

Tightening Torque	
Radiator fan screws	$7.5 \pm 1$ Nm ( $66 \pm 9$ lbf-IN)

6. Install the front air deflectors. Engage the front tabs in the front panel.



7. Install the plastic rivet to secure the front air deflectors on each side of the radiator.



See an authorized Can-Am Off-road dealer, repair shop or person of your own choosing to check the performance of the cooling system.

## Drive System

### Drive System Maintenance and Servicing

---

To keep the drive system in good condition, the following tasks must be done as per the [Maintenance Schedule, page 4-6](#).



**DANGER**

Do not disconnect or touch any exposed connections and/or damaged components with bare fingers, non-insulated tools or other metallic objects. Contact with high-voltage current will cause serious injury or death.

- Inspect CV joints, drive shaft bellows and protectors condition (check for abnormal play in CV joints and for cuts in bellows).
- Inspect the drive shaft joint for play.
- Inspect the front differential oil level and check for contamination. Replace as required.
- Inspect the final drive oil level and check for contamination. Replace as required.

- Inspect the gearbox oil level and check for contamination. Replace as required.
- Inspect the gearbox weep hole for signs of leakage.
- Inspect input and output shaft seals (differential, gearbox and final drive).
- Inspect vents areas, make sure vent hoses are not clogged (differential, gearbox and final drive).
- Inspect tires for wear, adjust tire pressure.
- Inspect wheel bearing condition.
- Torque wheel lug nuts.

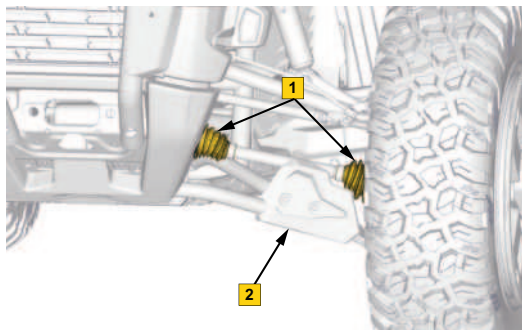
For safety reasons, BRP strongly recommends maintenance tasks involving the drive system to be performed by an authorized BRP dealer. Completion of all maintenance and servicing tasks requires special tools and thorough knowledge of this vehicle drive system.

## Drive Shaft Bellow And Protector

### Drive Shaft Bellow and Protector Inspection

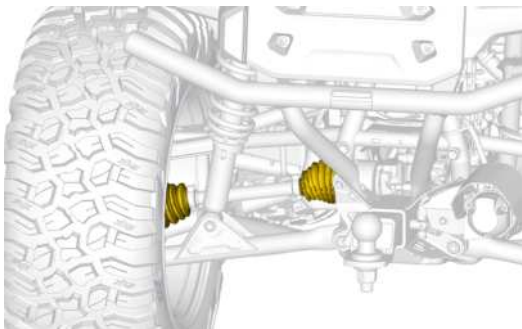
1. Place vehicle on a level surface.
2. Place the shifter on P position.
3. Apply the brake lock lever.
4. Visually inspect drive shaft protectors and bellows conditions.
5. Check protectors for damage or rubbing against shafts.
6. Check bellows for cracks, tears, leaking grease etc.

7. Repair or replace damaged parts as necessary.



### Front Suspension

1. Drive shaft bellows
2. Protector



### **Rear Suspension**

See an authorized Can-Am Off-road dealer for repair or replacement.

### **Front Differential**

#### **Front Differential Inspection**

1. Place vehicle on a level surface.

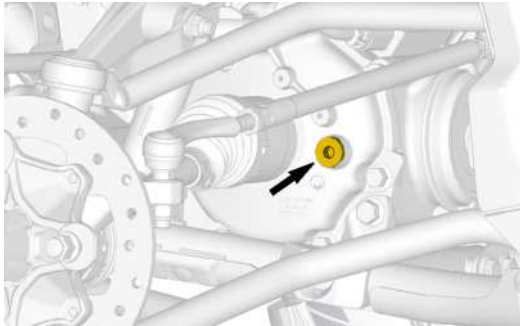
2. Place the shifter on P position.
3. Apply the brake lock lever.
4. Inspect input and output shaft seals.
5. Inspect the front differential housing for damages or fluid leaks.
6. Inspect the front differential oil level and look for contamination. Replace as required.

For safety reasons, BRP strongly recommends maintenance tasks involving the drive system to be performed by an authorized BRP dealer. Completion of all maintenance and servicing tasks requires special tools and thorough knowledge of this vehicle drive system. If a problem is detected, see your authorized Can-Am Off-road dealer quickly for repair.

#### **Front Differential Oil Level Verification**

1. Place the vehicle on a level surface.

- From the LH front side, clean the filler plug area prior to checking oil level.



**Typical — Wheel removed for clarity**

- Remove the filler plug.
- Check oil level. The oil should be level with the bottom of the oil level orifice.
- If required, add recommended differential oil.

- Reinstall the filler plug.

Tightening Torque	
Filler plug	16 ± 3 Nm (142 ± 27 lbf-IN)

## Front Differential Oil Specification

The XPS oil is specially formulated to meet the lubrication requirements of this differential. BRP strongly recommends the use of its XPS oil.

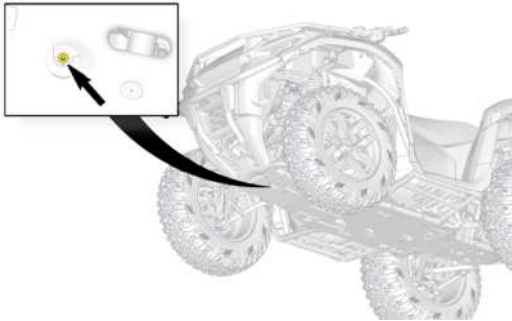
Refer to your vehicle [6 Technical Specifications, page 6-2](#) for fluid specifications and quantity.

NOTICE
Do not use another type of oil when servicing.

---

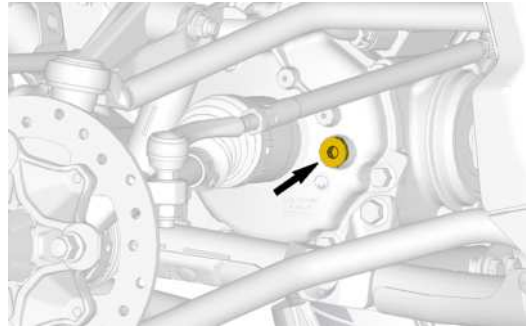
## Front Differential Oil Replacement

1. Place vehicle on a level surface.
2. Set shift lever in park position.
3. From underneath the vehicle, clean the drain plug area.



4. Place a drain pan under the front differential area.

5. Remove the drain plug.
6. Remove the filler plug on the left side of the front differential.



**Typical — Wheel removed for clarity**

7. Let oil drip completely.



8. Install the drain plug.

<i>Tightening Torque</i>	
Drain plug	2.5 ± 0.5 Nm (24 ± 4 lbf- <b>IN</b> )

9. Refill the differential with recommended oil for optimal performance.
10. For the differential oil capacity, refer to [6 Technical Specifications, page 6-2](#).
11. Reinstall the filler plug.

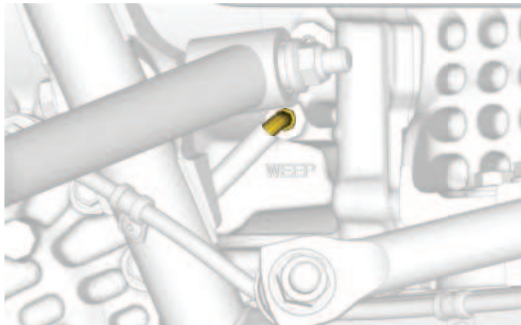
<i>Tightening Torque</i>	
Filler plug	16 ± 3 Nm (142 ± 27 lbf- <b>IN</b> )

## Gearbox

### Gearbox Inspection

1. Place the vehicle on a level surface.
2. Place the shifter in the P position.
3. Apply the brake lock lever.
4. Inspect the input shaft seal.
5. Inspect the gearbox housing for damage or fluid leaks.

- 
6. Inspect the weep hole for leakage.



### **Rear-Right Wheel Arch**

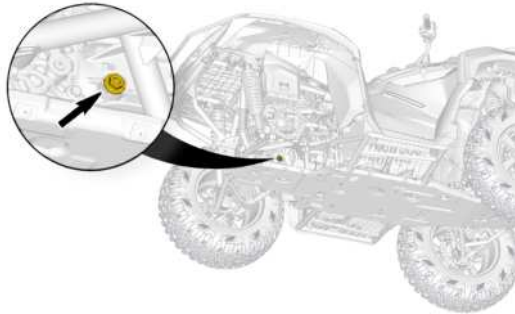
7. Inspect the gearbox oil level and look for contamination. Replace as required.

For safety reasons, BRP strongly recommends maintenance tasks involving the drive system to be performed by an authorized BRP dealer. Completion of all maintenance and servicing tasks requires special tools and thorough knowledge of this vehicle drive system. If a problem is detected, see your authorized Can-Am Off-road dealer quickly for repair.

### **Gearbox Oil Level Verification**

1. Place the vehicle on a level surface.
2. Set the shifter in park position.
3. Clean the area around the gearbox oil level plug.

4. Remove the gearbox oil level plug and O-ring.



**Typical — Wheel removed for clarity**

NOTE: The gearbox oil level plug is marked by GB on the gearbox casing.

5. Check the oil level. The oil should be level with the bottom of the oil level hole.

### NOTICE

Operating the gearbox with an improper oil level may severely damage gearbox.

6. Install the oil level plug with O-ring. Tighten per specification.

### Tightening Torque

Oil level plug	$5 \pm 0.6 \text{ Nm}$ ( $44 \pm 5 \text{ lbf-in}$ )
----------------	---

## Gearbox Oil Specification

The XPS oil is specially formulated to meet the lubrication requirements of this gearbox. BRP strongly recommends the use of its XPS oil.

Refer to your vehicle [6 Technical Specifications, page 6-2](#) for fluid specifications and quantity.

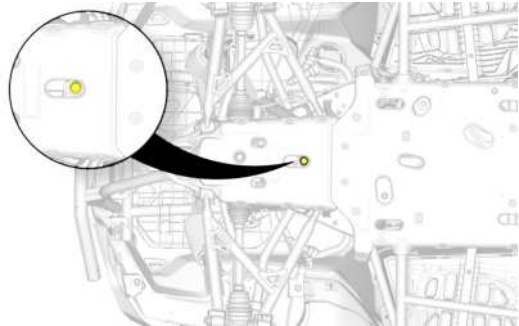
### NOTICE

Do not use another type of oil when servicing.

## Gearbox Oil Replacement

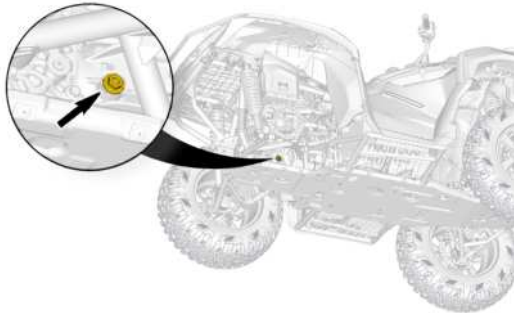
1. Place the vehicle on a level surface.
2. Set the shifter in the Park position.

3. Clean the area around the drain plug.



4. Place a drain pan underneath the oil drain plug area.
5. Remove the drain plug and sealing ring. Discard the sealing ring.

6. Remove the gearbox oil level plug and O-ring.



**Typical — Wheel removed for clarity**

NOTE: The gearbox oil level plug is marked by GB on the gearbox casing.

7. Let the oil drain completely from the gearbox.
8. Clean the drain plug of any metallic particles.

9. Install the drain plug with a **NEW** sealing ring.

<b><i>Tightening Torque</i></b>	
Drain plug	30 ± 3 Nm (22 ± 2 lbf-ft)

10. Refill the gearbox. When full, the oil should be level with the bottom of the oil level orifice.

<b><i>NOTICE</i></b>
Use <b>ONLY</b> the recommended type of oil.

11. Manually install the oil level plug with an O-ring.

---

12. Tighten the oil level plug to specification.

Tightening Torque	
Oil level plug	$5 \pm 0.6 \text{ Nm}$ ( $44 \pm 5 \text{ lbf-in}$ )

13. Wipe off any spillage.

## Rear Final Drive

### Rear Final Drive Inspection

1. Place vehicle on a level surface.
2. Place the shifter on P position.
3. Apply the brake lock lever.
4. Inspect input and output shaft seals.
5. Inspect the rear final drive housing for damages or fluid leaks.

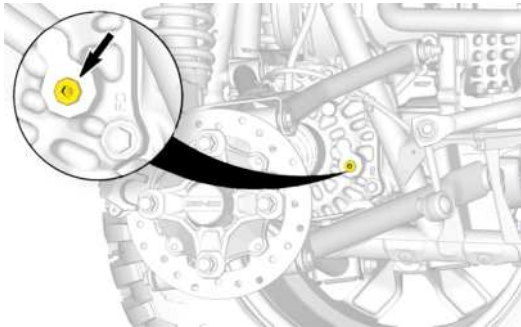
6. Inspect rear final drive oil level and look for contamination. Replace as required.

For safety reasons, BRP strongly recommends maintenance tasks involving the drive system to be performed by an authorized BRP dealer. Completion of all maintenance and servicing tasks requires special tools and thorough knowledge of this vehicle drive system. If a problem is detected, see your authorized Can-Am Off-road dealer quickly for repair.

### Rear Final Drive Oil Level Verification

1. Place the vehicle on a level surface.
2. Set the shifter in the Park position.
3. Clean the area around the rear final drive oil fill plug.

4. Remove the oil fill plug and sealing ring.  
Discard the sealing ring.



Typical — Wheel removed for clarity

 **NOTE**

The rear final drive oil fill plug is marked by FD on the housing.

5. Check the oil level. The oil should be level with the bottom of the oil level hole.

**NOTICE**

Operating the gearbox with an improper oil level may severely damage gearbox.

6. Install the oil fill plug with a **NEW** sealing ring.  
Tighten to specification.

Tightening Torque

Oil level plug	12 ± 1 Nm (106 ± 5 lbf-in)
----------------	-------------------------------

## Rear Final Drive Oil Specification

The XPS oil is specially formulated to meet the lubrication requirements of the final drive. BRP strongly recommends the use of its XPS oil.

Refer to your vehicle [6 Technical Specifications, page 6-2](#) for fluid specifications and quantity.

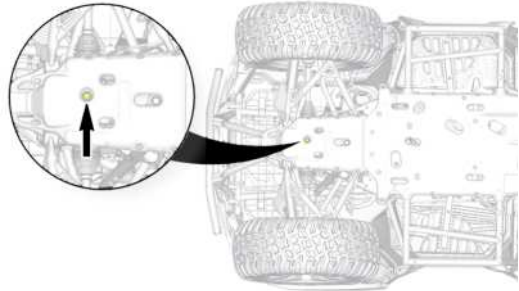
### NOTICE

Do not use another type of oil when servicing.

## Rear Final Drive Oil Replacement

1. Place the vehicle on a level surface.
2. Set the shifter in the Park position.

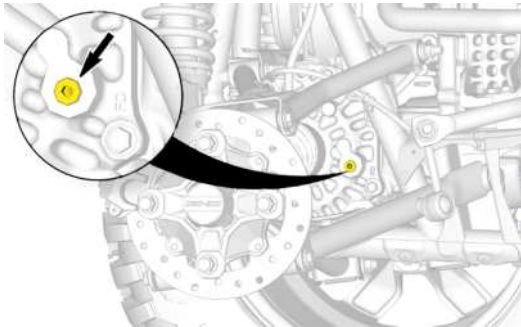
3. From underneath the vehicle, clean the drain plug area.



4. Place a drain pan under the rear final drive area.
5. Remove the drain plug. Discard the sealing ring.



- Remove the fill plug, identified by FD on the housing.



**Typical — Wheel removed for clarity**

- Let the oil drain completely.

- Install the drain plug with a **NEW** sealing ring.

<i><b>Tightening Torque</b></i>	
Drain plug	30 ± 3 Nm (22 ± 2 lbf-ft)

- Refill the final drive with the recommended oil for optimal performance.
- For the oil capacity, refer to [6 Technical Specifications, page 6-2](#).
- Reinstall the filler plug with a **NEW** sealing ring.

<i><b>Tightening Torque</b></i>	
Filler plug	12 ± 1 Nm (106 ± 9 lbf-IN)

---

## WHEEL BEARING

### Wheel Bearing Inspection

1. Place vehicle on a level surface.
2. Place the shifter on P position.
3. Apply the brake lock lever.
4. Lift and secure the vehicle on jack stands.
5. Grab the top and the bottom of the tire and push and pull the wheels to feel the play.

See an authorized Can-Am Off-road dealer if there is an abnormal play.

## Wheels and Tires

### Tire Pressure Verification



Tire pressure greatly affects vehicle handling and stability.  
Insufficient pressure may cause tire to deflate and rotate on wheel.  
Overpressure may burst the tire. Always follow recommended pressure.  
**NEVER** set tire pressure below minimum. It could cause the tire to dislodge from the rim.

1. Check pressure when tires are **cold** before using the vehicle. Tire pressure changes with temperature and altitude. Recheck pressure if one of these conditions has changed.

2. Refer to the **Tire Pressure and Maximum Load** decal for proper tire pressure.



## NOTE

Although the tires are specifically designed for off-road use, a flat may still occur. Therefore, it is recommended to carry a tire gauge, tire pump and a repair kit.

## Tire Inspection

1. Check tire for damage and wear. Replace if necessary.



## WARNING

Do not rotate tires. The front and rear tires have a different size. The left and right tires have different unidirectional tread patterns.

## Tire Replacement

Tire replacement should be performed by an authorized Can-Am Off-road dealer, a repair shop or a person of your choosing.



## WARNING

Replace tires only with the same type and size as original tires.

For unidirectional tread pattern, ensure that the tires are installed in the correct direction of rotation.

Tires should be replaced, by an experienced person, in accordance with tire industry standards and tools.

## Wheel Removal

1. Place vehicle on a level surface.
2. Place the shifter on P position.
3. Apply the brake lock lever.

4. Loosen the lug nuts.
5. Lift and secure the vehicle on jack stands.
6. Remove the lug nuts, then remove wheel.

### Wheel Installation

1. If tires are unidirectional, make sure to install wheel according to tire rotation.
2. Carefully tighten lug nuts in a criss-cross sequence then tighten to specification.

#### NOTICE

Always use the recommended wheel lug nuts for the type of wheel.

Using a different wheel lug nuts could cause damages to the rim or studs.

Tightening Torque	
Wheel lug nut	80 ± 5 Nm (59 ± 4 lbf-ft)

## Low Voltage Electrical System

### Low-Voltage Electrical System Maintenance and Servicing

To keep low-voltage system in good working condition, the following tasks must be done as per the [Maintenance Schedule, page 4-6](#).

- Inspect 12V battery connections and condition.
- Inspect brake light operation.
- Inspect headlight high / low beam operation.
- Verify the headlight beam aim. Adjust as required.
- Inspect proper function of the RUN / STOP switch.
- Inspect low voltage electrical harness routing for signs of chaffing or rubbing.

- Inspect proper function of D.E.S.S. key (Put the unit in Drive and pull the key off).

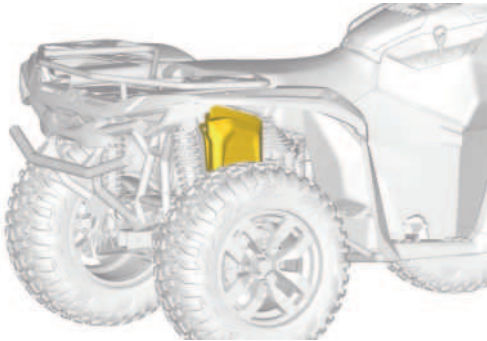
BRP strongly recommends maintenance tasks involving the low-voltage system to be performed by an authorized Can-AM Off Road dealer. Completion of all maintenance and servicing tasks requires special tools and thorough knowledge of this vehicle low-voltage electrical system.

---

## 12V Battery

### 12V Battery Location

The 12V battery is located below the rear fender, on the right side of the vehicle.



## 12V Battery Description

This vehicle is equipped with a maintenance-free type battery and is completely sealed; there is no need to add water to adjust the electrolyte level. The 12V battery may need to be charged if the vehicle has not been ridden for at least one month.

 **WARNING**

Do not use conventional lead-acid type batteries. Acid may leak out through the battery vent of a conventional lead-acid type battery. Acid may also leak if the battery case is cracked or damaged, which can cause severe burns.

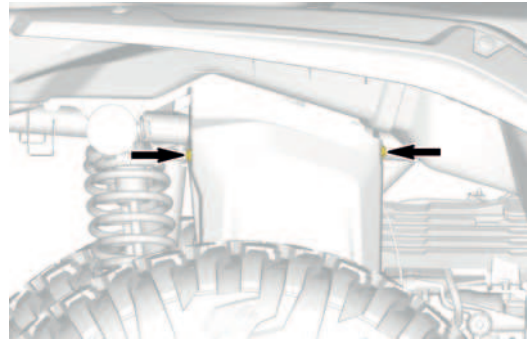
The 12V battery allows the vehicle to start up and activate the high-voltage electrical system. When the vehicle is started or during vehicle usage, the 12V battery will be recharge via the high voltage battery.

If the low voltage battery is too depleted to allow vehicle activation, it can be jump started with a car battery or recharged using a battery charger. Refer to [Discharged 12V Battery, page 8-2](#) or [12V Battery Recharge, page 4-69](#).

For home charging, a “trickle” charger can be used to slowly charge the 12V battery. This type of charger can be left connected for a long period of time without damaging the battery. Always follow the charging time as recommended in the charger instructions.

## 12V Battery Removal

1. Remove the plastic rivets securing the low-voltage battery cover.



2. Remove the battery cover.

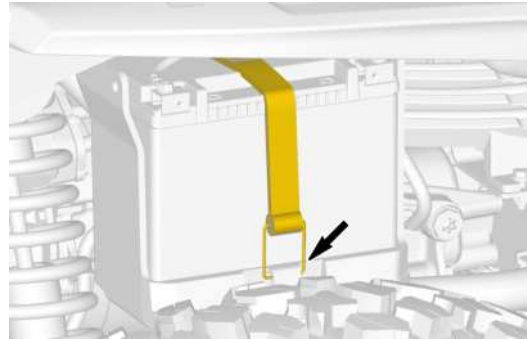
3. Disconnect BLACK (-) battery cable first, then the RED (+) battery cable.

**NOTICE**

Always respect this order for removal; disconnect BLACK (-) cable first.



4. Remove the holding strap from its hook, then pull the low-voltage battery out of the frame.



### 12V Battery Cleaning

1. Remove the 12V battery from the vehicle.



2. Clean the 12V battery casing and battery posts using a soft brush and a solution of baking soda and water.
3. Remove corrosion from 12V battery cable terminals and posts using a firm wire brush.
4. Rinse 12V battery cable terminals and posts with clear water then dry well.
5. Recharge the 12V battery, if required.
6. Install the 12V battery on the vehicle.

### 12V Battery Recharge

#### NOTICE

Follow the instructions provided with your battery charger. Improper charging may damage the battery.

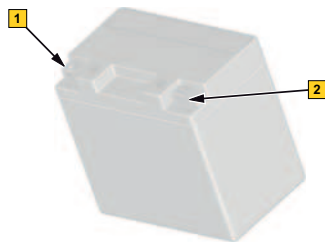
To charge the battery, proceed as follows:

1. Remove the battery from the vehicle.

2. Connect the positive terminal first, then connect the negative terminal.

#### NOTICE

Battery negative terminal must always be disconnected first and connected last.



1. Negative terminal
2. Positive terminal

- 
3. Start the battery charger. Charging time will depend on the charging rate.

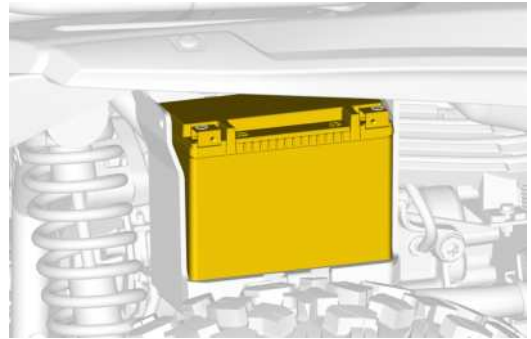
When the battery is charged:

4. Disconnect the negative terminal first, then disconnect the positive terminal.
5. Install the battery on the vehicle.

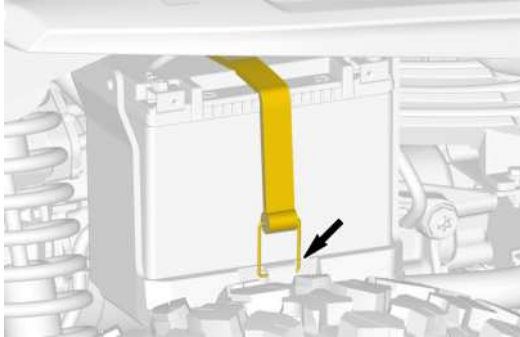
If the low voltage battery charge cannot be restored, contact an authorized BRP dealer for a replacement battery.

## 12V Battery Installation

1. Insert the low-voltage battery into its housing.



2. Secure the low-voltage battery with the holding strap.



3. Connect the RED (+) battery cable first then the BLACK (-) battery cable.

## NOTICE

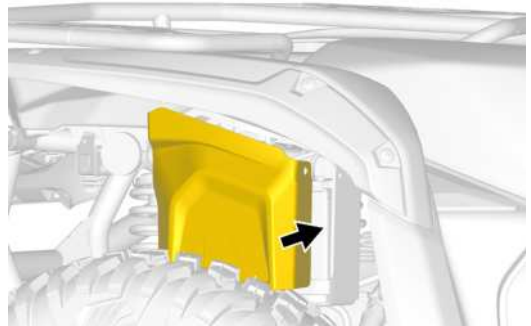
Always connect RED (+) cable first then BLACK (-) cable.



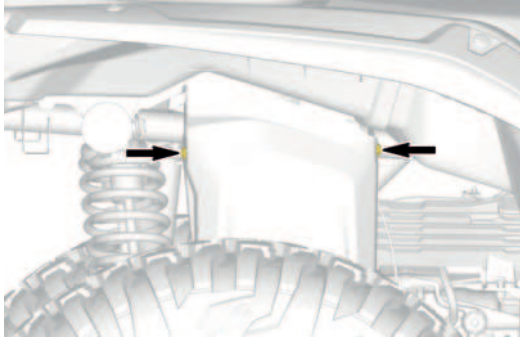
4. Tighten post screws to specification.

Tightening Torque	
Battery post screws	$4.5 \pm 0.5$ Nm ( $40 \pm 4$ lbf-in)

5. Position the low-voltage battery cover as shown.



6. Secure the low-voltage battery cover with the previously removed plastic rivets.



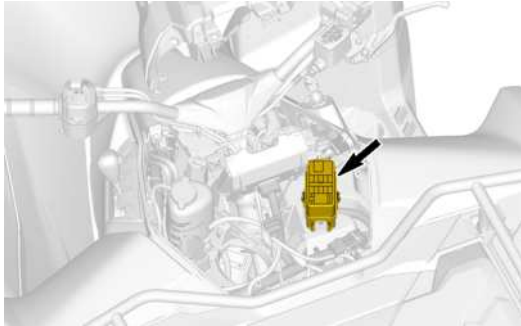
## Fuses and Fuse Box

### Fuses and Fuse Box Location

The fuses on this vehicle are located at two distinction locations.

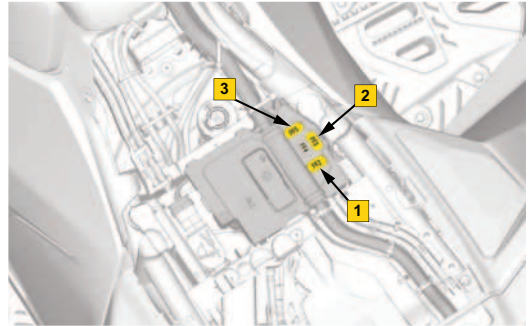
## Main Fuse Box

The main fuse box is located under the console. Refer to [Console Removal, page 3-31](#).



## Auxiliary Fuse Holder

The auxiliary fuses holder is located under the seat. Refer to [Seat Removal, page 3-52](#).



1. Main Fuse (PF2)
2. DPS Fuse (PF3)
3. Inverter / BMS Fuse (PF5)

## Fuses and Fuse Box Description

The fuse box regroups different fuses and relays that ensure proper operation and protection of the vehicle low-voltage electrical system and components.

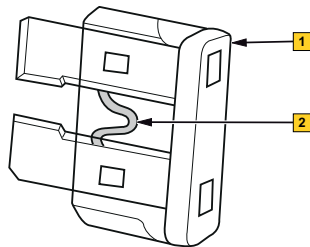
### NOTICE

Fuses positions and corresponding ratings must be respected when inspecting or replacing fuse(s) or relay(s).

The main fuse box cover and the auxiliary fuse holder provide proper positions for all fuse(s) and relay(s).

Refer to your vehicle [6 Technical Specifications, page 6-2](#) for fuses rating.

## Fuses Inspection



1. Fuse
2. Fuse element

1. Remove the console to access the main fuse box and/or the seat to access the auxiliary fuse holder.

2. Remove the main fuse box cover and/or the fuse holder from the vehicle to access the fuses, as applicable.
3. Remove the fuse from its receptacle.
4. Check if the fuse element is melted. If a replacement is needed, refer to [Fuses Replacement, page 4-76](#).



#### WARNING

If a fuse has burnt out, the source of the malfunction should be determined and corrected before restarting.

See an authorized BRP dealer for servicing.

## Fuses Replacement

1. Remove the console to access the main fuse box and/or the seat to access the auxiliary fuse holder.
2. Remove the main fuse box cover and/or the fuse holder from the vehicle to access the fuses, as applicable.
3. Remove the defective fuse from the fuse receptacle.
4. Install a new fuse in the same receptacle.



#### WARNING

Do not use a higher rated fuse.



#### WARNING

If a fuse has burnt out, the source of the malfunction should be determined and corrected before restarting.

See an authorized BRP dealer for servicing.



## Lights

### Light Bulb Replacement

No bulb replacement is required for this vehicle.

It is equipped with LEDs (Light Emitting Diode) lights. This technology has proven itself to be very reliable.

In the unlikely event that one light does not work, have it checked by an authorized Can-Am Off-road dealer, repair shop or person of your own choosing.

### Headlights Beam Aim Adjustment

1. Load the vehicle as per normal use.
2. Position vehicle on a level surface, 7.6 m (25 ft) in front of a test surface (wall or screen) as in first illustration.

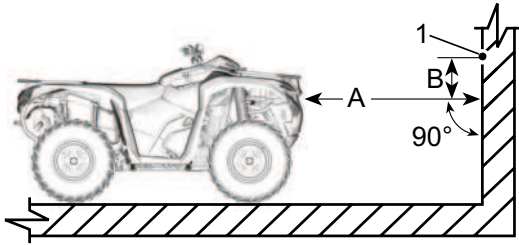
3. Measure the distance from the center of each headlight to the ground (high beam and low beam).
4. Trace a line on the test surface parallel to the ground at each measured height (one for high beam and one for low beam).

Low beam aiming is correct when the cutoff at the top of the beam is on the applicable horizontal center line on the test surface.

High beam aiming is correct when the center of the high beam (focus point) is 33 mm (1-5/16 in) **above** the applicable horizontal center line traced on the test surface as per specification.

#### NOTE:

The headlights can only be adjusted vertically.



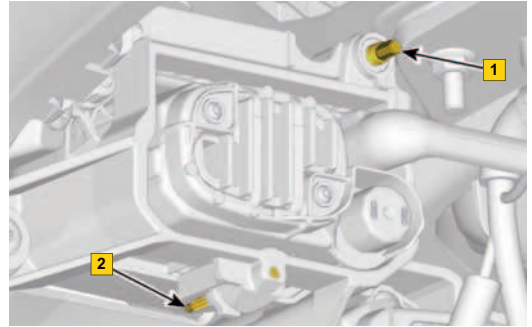
1. High beam focus point

A. Distance between headlamps and the test surface

B. Beam aiming specification

5. Adjust the HIGH beam aiming first.

6. Finish the adjustment with the LOW beam aiming.



1. High beam adjustment screw

2. Low beam adjustment screw

## High-Voltage Electrical System

### High-Voltage Electrical System Maintenance and Servicing

To keep high-voltage electrical system in good condition, the following tasks must be done as per the [Maintenance Schedule, page 4-6](#).



**DANGER**

Do not disconnect or touch any exposed connections and/or damaged components with bare fingers, non-insulated tools or other metallic objects. Contact with high-voltage current will cause serious injury or death.

- Inspect charging port for signs of corrosion and clean drain path.
- Inspect ground straps integrity.

- Visually inspect high-voltage cable routing for signs of chaffing, rubbing or discoloration.
- Inspect high-voltage components for signs of coolant leaks.

For safety reasons, BRP strongly recommends maintenance tasks involving the high-voltage electrical system to be performed by an authorized Can-Am Off Road dealer. Completion of all maintenance and servicing tasks requires special tools and thorough knowledge of this high-voltage electrical system.

---

## STORAGE AND PRESEASON PREPARATION

### Storage

Proper storage is necessary when the vehicle is not in use for more than three months. When planning on storing the vehicle for more than 90 days, there are steps you can take to maintain the longevity of the high-voltage battery.

It is best not to begin long term storage when the high-voltage battery is at 100% state of charge. Rather, try to begin storage with the charge level at approximately 60%. Keep in mind that the battery will slowly drain while not being used. During storage, check the level monthly to ensure that it has not fallen below 20%. If this occurs, charge the battery.

#### NOTICE

The vehicle has to be stored in a cool and dry place and covered with an opaque but ventilated tarpaulin. This will prevent sun rays and grime from affecting plastic components and vehicle finish. The acceptable storage temperature is  $-20^{\circ}\text{C}$  to  $45^{\circ}\text{C}$  ( $-4^{\circ}\text{F}$  to  $113^{\circ}\text{F}$ ). For an optimal battery lifespan, the recommended storage temperature is  $0^{\circ}\text{C}$  to  $25^{\circ}\text{C}$  ( $32^{\circ}\text{F}$  to  $77^{\circ}\text{F}$ ).

<b>Storage</b>
Check coolant, brake fluid, differential and gearbox oil levels
Inflate all tires to their recommended pressure
Inspect the brake lever and brake pedal pivot, lubricate if needed
Close and latch all storage compartments
Clean the vehicle
Charge the high-voltage propulsion battery monthly to maintain above 20% during storage
Charge the 12V battery monthly to keep it fully charged during storage (this can be done with a trickle charger if necessary)
Store the vehicle in a dry area, away from sunlight, with a small amount of daily temperature variation.
Cover the vehicle with a permeable materials (e.g., tarpaulin). Avoid using plastic or similar non-breathing, coated materials that restrict air flow and allow heat and moisture to accumulate.

---

## **Preseason Preparation**

Proper vehicle preparation is necessary when a vehicle has not been used for more than three months.

When the storage period has ended, it is best to charge the vehicle to at least 70% state of charge before the first use.

Vehicles stored during cold temperatures may require the vehicle to be connected for a longer period of time before riding.

Perform the items as directed in the Maintenance Schedule.

Visit your authorized BRP dealer for more information.

## VEHICLE CARE

### Vehicle Care General

#### Post-Operation Care

Remove dust and debris from front and rear suspension, steering mechanism, brake pedal and wheels.

Keep the vehicle clean to improve vehicle component conditions and operations.



#### WARNING

Make sure the D.E.S.S. key is removed before standing in front the vehicle, or getting close to the rear wheel or suspension components

Always cover your vehicle when leaving it outside overnight or during extended periods of inactivity. This will protect it from rain, sun/UV , frost and snow as well as help retain its appearance.

Avoid leaving your vehicle in temperatures above 40° C (104° F) or below -20° C (-4° F). Never let the vehicle fully discharge after a ride. A minimum state of charge of 30% shall be kept to avoid completely depleting the high-voltage battery energy.

---

## Non-Compatible Cleaning Products

<i>Material Type</i>	<i>Non-Compatible Cleaning Products</i>
All plastics, vinyls, painted steel and aluminium	BRAKE AND PARTS CLEANER OR ANY PETROLEUM BASE CLEANING PRODUCTS

## Compatible Cleaning Products

<i>Material Type</i>	<i>Cleaning Product</i>
All plastics, vinyls, painted steel and aluminium.	Automotive type soap with water XPS Spray Cleaner and Polish XPS All Purpose Cleaner

For more information and products, Visit the XPS Products website at [www.xpslubricants.com](http://www.xpslubricants.com)

## Vehicle Cleaning



### NOTICE

Never use a high pressure washer to clean the vehicle. **USE LOW PRESSURE ONLY (like a garden hose).**

High pressure can cause damage to electrical or mechanical components.

Pay attention to certain areas where salt-water, mud or debris can accumulate and potentially cause:

- Wear
- Interference
- Corrosion.

This list includes but is not limited to:

- Radiator
- Shock absorbers
- Around front and rear differentials

- Around and underneath CV joints, shaft and gearbox
- Inside wheels
- On top of skid plates.

When vehicle is used in salt-water environment, rinsing the vehicle with fresh water is necessary to preserve vehicle and its components after each operating day.

Metallic parts lubrication is highly recommended. Use anti-corrosive lubricant or an equivalent.

### XPS Lubricant and anti-corrosive

To clean the vehicle:

1. Rinse the vehicle thoroughly with water to remove loose dirt.

- 
- Using a soft, clean cloth, wash the vehicle with warm water and soap (only use mild detergent).

*NOTICE*

Never clean plastic parts with strong detergent, degreasing agent, paint thinner, acetone, etc.

- While washing the vehicle, check for grease or oil. You can use service product or a mild automotive degreaser. Thoroughly follow the manufacturer's instructions.
- Dry the vehicle with a chamois or a soft towel.

- Apply non-abrasive wax.

*NOTICE*

For **matte finishes**, do not use wax, detail spray, or other products used on regular paint. Do not wash with abrasive materials. Do not use mechanical cleaners or polishers, and do not rub the surfaces vigorously.

## Vehicle Protection

Apply non-abrasive wax to plastic parts.

*NOTICE*

Do not wax or polish matte surfaces (including matte paint finishes).

<b>Surface</b>	<b>Recommendation</b>
Glossy paint finishes	Apply only non-abrasive wax, safe for clear coat paints
Matte finishes	Do not apply wax

 **WARNING**

Do not apply a vinyl or plastic protector on the seat(s) or handgrips as the surfaces will become slippery and will affect the operator stability on the vehicle.



## **5** TECHNICAL INFORMATION - TABLE OF CONTENTS

---

<b>INTENDED USE</b> .....	<b>5-2</b>	<b>EAC DECLARATION OF CONFORMITY</b> .....	<b>5-26</b>
<b>VEHICLE IDENTIFICATION</b> .....	<b>5-3</b>		
Vehicle Identification Number .....	5-4		
High-Voltage Battery Identification Number .....	5-7		
<b>COMPLIANCE LABEL</b> .....	<b>5-9</b>		
<b>TECHNICAL INFORMATION LABELS</b> .....	<b>5-10</b>		
<b>BRP RF DESS POST GEN3 (CAN)</b> .....	<b>5-11</b>		
<b>EC-DECLARATION OF CONFORMITY</b> .....	<b>5-24</b>		
<b>UK-DECLARATION OF CONFORMITY</b> .....	<b>5-25</b>		

---

## INTENDED USE

Agricultural tractor that can be used to carry materials.

Check the maximum allowable load of the vehicle indicated on the statutory plate and vehicle maximum load label, refer to [Important On-Product Labels \(All Countries except Canada/United States\)](#), page 2-108.

The Can-Am T Category tractor can tow a trailer on the road.

Check the maximum allowable load of the trailer.

Check the regulations for your area regarding the use of a tractor and trailer on the road.

Connect the trailer lights on the vehicle.

### VEHICLE IDENTIFICATION

The main components of your vehicle (high-voltage battery, motor and frame) are identified using different serial numbers.


It may sometimes become necessary to locate these numbers for warranty purposes or to trace your vehicle in the event of loss.


These numbers are also required by the authorized Can-Am Off-road dealer to complete warranty claims properly.

We strongly recommend that you take note of all the serial numbers on your vehicle and supply them to your insurance company.

## Vehicle Identification Number

The VIN is on the statutory plate located in the glove compartment and on the VIN label.

Bombardier Recreational Products Inc. 

1 → TXX  
2 → eXXXXXXXXXXXX  
3 → XXXXXXXXXXXXXXX  
4 → XXXX kg  
5 → A-1: XXXX kg  
6 → A-2: XXXX kg  
7 → A-3: XXXX kg 

	T-1	T-2	T-3
B-1	XXX kg	XXX kg	XXX kg
B-2	XXX kg	XXX kg	XXX kg

1: Category

2: Type-approval number

3: VIN

4: Permissible maximum laden mass(es) of the vehicle

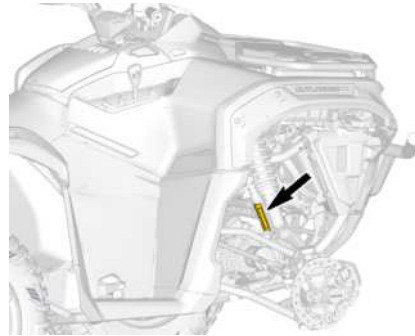
5-7: Permissible maximum mass(es) per axle

B-1: Permissible towable mass on rear coupling point; unbraked trailer

B-2: Permissible towable mass on rear coupling point; inertia-braked trailer



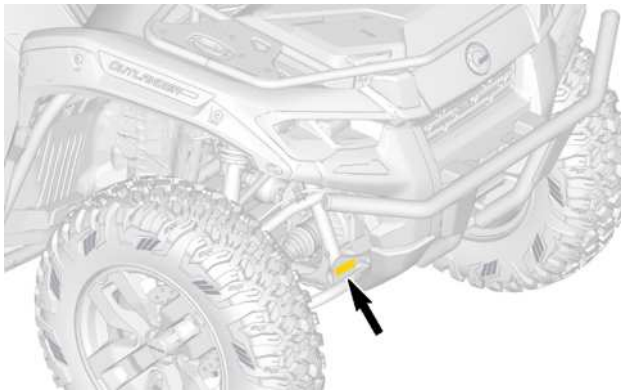




VIN Label

---

The stamped VIN is located on front member on the RH side of the vehicle.



**Stamped VIN Location**

## High-Voltage Battery Identification Number

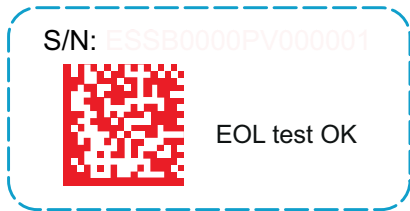
The HV battery identification number can be found on the following High Voltage Battery labels:



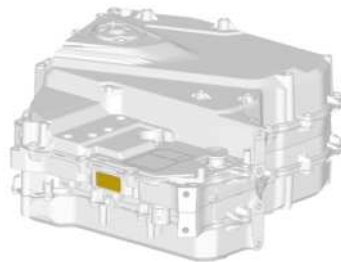
High Voltage Battery Identification Label



High-Voltage Battery



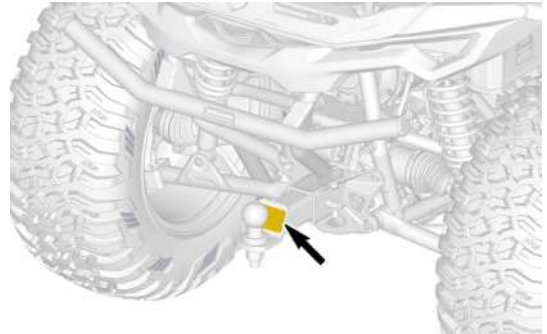
**High Voltage Battery Serial Number Label**



**High-Voltage Battery**

## COMPLIANCE LABEL

### Trailer Hitch Compliance



---

## TECHNICAL INFORMATION LABELS

### Park Position Pictogram

This pictogram is located just beside the shift pattern.



### Brake Fluid Pictogram

This pictogram is located near all brake reservoirs.



### BRP RF DESS POST GEN3 (CAN)

#### USA and Canada

This device complies with FCC Part 15 and Industry Canada license exempt RSS standard(s). Operation is subject to the following two conditions:

1. this device may not cause interference, and
2. this device must accept any interference, including interference that may cause undesired operation of the device.

---

This equipment has been tested and found to comply with the limits for a Class B digital device, pursuant to part 15 of the FCC Rules. These limits are designed to provide reasonable protection against harmful interference in a residential installation. This equipment generates, uses and can radiate radio frequency energy and, if not installed and used in accordance with the instructions, may cause harmful interference to radio communications. However, there is no guarantee that interference will not occur in a particular installation. If this equipment does cause harmful interference to radio or television reception, which can be determined by turning the equipment off and on, the user is encouraged to try to correct the interference by one or more of the following measures:

- Reorient or relocate the receiving antenna.
- Increase the separation between the equipment and receiver.
- Connect the equipment into an outlet on a circuit different from that to which the receiver is connected.
- Consult the dealer or an experienced radio/TV technician for help.

The device has been evaluated to meet general RF exposure requirement. The device can be used in portable exposure condition without restriction.

Le dispositif a été évalué à satisfaire l'exigence générale de l'exposition aux rf. L'appareil peut être utilisé dans des conditions d'exposition portatif sans restriction.



L'émetteur/récepteur exempt de licence contenu dans le présent appareil est conforme aux CNR d'Innovation, Sciences et Développement économique Canada applicables aux appareils radio exempts de licence.

1. l'appareil ne doit pas produire de brouillage, et
2. l'appareil doit accepter tout brouillage radioélectrique subi, même si le brouillage est susceptible d'en compromettre le fonctionnement.

Changes or modifications not expressly approved by the party responsible for compliance could void the user's authority to operate the equipment.

**IC:** 12006A-1001317030 For variant 1001316154 (CAN)

**FCC ID:** 2ACER 1001317030 For variant 1001316154 (CAN)

---

## Mexico



IFETEL

Marca: BRP Megatech

Número: BRME1023-28186

BRP Megatech Certificate number: 1450978

Modelo: 1001316154

NOM-208-SCFI-2016 (Disposición Técnica IFT-008-2015)

La operación de este equipo está sujeta a las siguientes dos condiciones:

1. Es posible que este equipo o dispositivo no cause interferencia perjudicial y
2. Este equipo o dispositivo debe aceptar cualquier interferencia, incluyendo la que pueda causar su operación no deseada.

Brazil



5

Número: 05254-23-15603

BRP Megatech Certificate number: 1450991

Modelo: 1001316154

---

Este equipamento não tem direito à proteção contra interferência prejudicial e não pode causar interferência em sistemas devidamente autorizados. Para maiores informações, consulte o site da ANATEL.

## Japan

This device is granted pursuant to the Japanese Radio Law ( 電波法 ) and the Japanese Telecommunications Business Law ( 電気通信事業法 ). This device should not be modified (otherwise the granted designation number will become invalid).

## Europe

### Declaration of Conformity

Simplified EU Declaration of Conformity according Radio Equipment Directive 2014/ 53/EU



#### DE

Hiermit erklärt BRP Megatech, dass der Funkanlagentyp 1001316154 der Richtlinie 2014/53/EU entspricht. Der vollständige Text der EU-Konformitätserklärung ist unter der folgenden Internetadresse verfügbar: <https://www.brp.com/en/corporatesocialresponsibility/productsafety.html>

#### FR

Le soussigné, BRP Megatech, déclare que l'équipement radioélectrique du type 1001316154 est conforme à la directive 2014/53/UE. Le texte complet de la déclaration UE de conformité est disponible à l'adresse internet suivante: <https://www.brp.com/en/corporatesocialresponsibility/productsafety.html>

#### BG

С настоящото BRP Megatech декларира, че този тип радиосъоръжение 1001316154 е в съответствие с Директива 2014/53/ЕС.

---

Цялостният текст на ЕС декларацията за съответствие може да се намери на следния интернет адрес: <https://www.brp.com/en/corporatesocialresponsibility/productsafety.html>

## **EL**

Με την παρούσα ο/η BRP Megatech, δηλώνει ότι ο ραδιοεξοπλισμός 1001316154 πληροί την οδηγία 2014/53/ΕΕ. Το πλήρες κείμενο της δήλωσης συμμόρφωσης ΕΕ διατίθεται στην ακόλουθη ιστοσελίδα στο διαδίκτυο: <https://www.brp.com/en/corporatesocialresponsibility/productsafety.html>

## **CS**

Tímto BRP Megatech prohlašuje, že typ rádiového zařízení 1001316154 je v souladu se směrnicí 2014/53/EU. Úplné znění EU prohlášení o shodě je k dispozici na této internetové adrese: <https://www.brp.com/en/corporatesocialresponsibility/productsafety.html>

## **DA**

Hermed erklærer BRP Megatech, at radioudstyrstypen 1001316154 er i overensstemmelse med direktiv 2014/53/EU.

EU-overensstemmelseserklæringens fulde tekst kan findes på følgende internetadresse: <https://www.brp.com/en/corporatesocialresponsibility/productsafety.html>

## **ET**

Käesolevaga deklareerib BRP Megatech, et käesolev raadioseadme tüüp 1001316154 vastab direktiivi 2014/53/EL nõuetele.

ELi vastavusdeklaratsiooni täielik tekst on kättesaadav järgmisel internetiaadressil: <https://www.brp.com/en/corporatesocialresponsibility/productsafety.html>

### ES

Por la presente, BRP Megatech declara que el tipo de equipo radioeléctrico 1001316154 es conforme con la Directiva 2014/53/UE.

El texto completo de la declaración UE de conformidad está disponible en la dirección Internet siguiente: <https://www.brp.com/en/corporatesocialresponsibility/productsafety.html>

### FI

BRP Megatech vakuuttaa, että radiolaitetyyppi 1001316154 on direktiivin 2014/53/EU mukainen. EU-vaatimustenmukaisuusvakuutuksen täysimittainen teksti on saatavilla seuraavassa internetosoitteessa: <https://www.brp.com/en/corporatesocialresponsibility/productsafety.html>

### EN

Hereby, BRP Megatech declares that the radio equipment type 1001316154 is in compliance with Directive 2014/53/EU. The full text of the EU declaration of conformity is available at the following internet address: <https://www.brp.com/en/corporatesocialresponsibility/product-safety.html>

### HR

BRP Megatech ovime izjavljuje da je radijska oprema tipa 1001316154 u skladu s Direktivom 2014/53/EU. Cjeloviti tekst EU izjave o sukladnosti dostupan je na sljedećoj internetskoj adresi: <https://www.brp.com/en/corporate-social-responsibility/productsafety.html>

---

## **HU**

BRP Megatech igazolja, hogy a 1001316154 típusú rádióberendezés megfelel a 2014/53/EU irányelvnek. Az EU-megfelelőségi nyilatkozat teljes szövege elérhető a következő internetes címen: <https://www.brp.com/en/corporate-socialresponsibility/productsafety.html>

## **IT**

Il fabbricante, BRP Megatech, dichiara che il tipo di apparecchiatura radio 1001316154 è conforme alla direttiva 2014/53/UE.

Il testo completo della dichiarazione di conformità UE è disponibile al seguente indirizzo Internet: <https://www.brp.com/en/corporate-socialresponsibility/productsafety.html>

## **LT**

Aš, BRP Megatech, patvirtinu, kad radijo įrenginių tipas 1001316154 atitinka Direktyvą 2014/53/ES. Visas ES atitikties deklaracijos tekstas prieinamas šiuo interneto adresu: <https://www.brp.com/en/corporate-social-responsibility/productsafety.html>

## **LV**

Ar šo BRP Megatech deklarē, ka radioiekārta 1001316154 atbilst Direktīvai 2014/53/ES. Pilns ES atbilstības deklarācijas teksts ir pieejams šādā interneta vietnē: <https://www.brp.com/en/corporate-social-responsibility/productsafety.html>

## **MT**



B'dan, BRP Megatech, niddikjara li dan it-tip ta' tagħmir tar-radju 1001316154 huwa konformi mad-Direttiva 2014/53/UE. It-test kollu tad-dikjarazzjoni ta' konformità tal-UE huwa disponibbli f'dan l-indirizz tal-Internet li ġej: <https://www.brp.com/en/corporatesocialresponsibility/productsafety.html>

### NL

Hierbij verklaar ik, BRP Megatech, dat het type radioapparatuur 1001316154 conform is met Richtlijn 2014/53/EU.

De volledige tekst van de EU-conformiteitsverklaring kan worden geraadpleegd op het volgende internetadres: <https://www.brp.com/en/corporatesocialresponsibility/productsafety.html>

### PL

BRP Megatech niniejszym oświadcza, że typ urządzenia radiowego 1001316154 jest zgodny z dyrektywą 2014/53/UE. Pełny tekst deklaracji zgodności UE jest dostępny pod następującym adresem internetowym: <https://www.brp.com/en/corporatesocialresponsibility/productsafety.html>

### PT

O (a) abaixo assinado (a) BRP Megatech declara que o presente tipo de equipamento de rádio 1001316154 está em conformidade com a Diretiva 2014/53/UE.

O texto integral da declaração de conformidade está disponível no seguinte endereço de Internet: <https://www.brp.com/en/corporatesocialresponsibility/productsafety.html>

### RO

---

Prin prezenta, BRP Megatech declară că tipul de echipamente radio 1001316154 este în conformitate cu Directiva 2014/53/UE. Textul integral al declarației UE de conformitate este disponibil la următoarea adresă internet: <https://www.brp.com/en/corporatesocialresponsibility/productsafety.html>

## **SV**

Härmed försäkras BRP Megatech att denna typ av radioutrustning 1001316154 överensstämmer med direktiv 2014/53/EU. Den fullständiga texten till EU-försäkran om överensstämmelse finns på följande webbadress: <https://www.brp.com/en/corporatesocialresponsibility/productsafety.html>

## **SL**

BRP Megatech potrjuje, da je tip radijske opreme 1001316154 skladen z Direktivo 2014/53/EU. Celotno besedilo izjave EU o skladnosti je na voljo na naslednjem spletnem naslovu: <https://www.brp.com/en/corporatesocialresponsibility/productsafety.html>

## **SK**

BRP Megatech týmto vyhlasuje, že rádiové zariadenie typu 1001316154 je v súlade so smernicou 2014/53/EÚ. Úplné EÚ vyhlásenie o zhode je k dispozícii na tejto internetovej adrese: <https://www.brp.com/en/corporatesocialresponsibility/productsafety.html>

## **IS**

BRP Megatech lýsir því hér með yfir að þráðlausí fjarSKIptabúnaðurinn 1001316154 er í samræmi við tilskipun 2014/53/ESB. Óstytta texta ESB-samræmisýfirlýsingarinnar er að finna á veffanginu: <https://www.brp.com/en/corporatesocialresponsibility/productsafety.html>

### **Liechtenstein**

Hiermit erklärt BRP Megatech, dass der Funkanlagentyp 1001316154 der Richtlinie 2014/53/EU entspricht. Der vollständige Text der EU-Konformitätserklärung ist unter der folgenden Internetadresse verfügbar: <https://www.brp.com/en/corporatesocialresponsibility/productsafety.html>

### **NO**

Hermed erklærer BRP Megatech at radioutstyretypen 1001316154 er i samsvar med direktiv 2014/53/EU. Hele teksten i EU-samsvarserklæringen finnes på følgende internetadresse: <https://www.brp.com/en/corporatesocialresponsibility/productsafety.html>

### **RU**

Компания BRP Megatech настоящим заявляет, что радиотехническое оборудование категории 1001316154 отвечает требованиям Директивы 2014/53/EU.

Полный текст декларации соответствия ЕС доступен на сайте : <https://www.brp.com/en/corporatesocialresponsibility/productsafety.html>





---

## EAC DECLARATION OF CONFORMITY

*Left blank for Eurasian Conformity  
mark where applicable*

## **6** TECHNICAL SPECIFICATIONS - TABLE OF CONTENTS

---

TECHNICAL SPECIFICATIONS .....6-2

---

## TECHNICAL SPECIFICATIONS

### Outlander / Outlander Max Electric Series (T-Category models)

<i>HIGH-VOLTAGE POWER UNIT</i>				
Charging Port Connector		IEC 62196 Type 2 (MENNEKES)		
E-Motor	Motor type		ROTAX® E-POWER, Liquid-cooled	
	Heat Management		Liquid Cooled	
	Current		High-Voltage 3-phased AC	
	Power	Peak		35 kW
		Continuous		20 kW
Torque	Peak		72 Nm (53 lbs-ft)	



## TECHNICAL SPECIFICATIONS

<b>HIGH-VOLTAGE POWER UNIT</b>			
		Continuous	28 Nm (21 lbs-ft)
	Top speed	High Gear	60 km/h (37 MPH)
		Low Gear	45 km/h (28 MPH)
		Reverse (without override)	14 km/h (9 MPH)
High-Voltage Heater	Heat Management		Liquid Cooled
	Input Voltage @ Power		120 Vac @ 300W 240 Vac @ 1200W
High-Voltage Battery	Battery Type		Integrated Lithium-Ion
	Heat Management		Liquid Cooled

<b>HIGH-VOLTAGE POWER UNIT</b>		
	Energy	8,9 kWh
Inverter	Heat Management	Liquid Cooled
	Input Current - E-Motor (Regen)	High-Voltage 3-phased AC
	Input Current - High-Voltage Battery	High-Voltage DC
	Output Current - E-Motor	High-Voltage 3-phased AC
	Output Current - High-Voltage Battery (Regen)	High-Voltage DC
On-Board Charger	Heat Management	Liquid Cooled
	Input Voltage	120 and 240 VAC
	Power	6,6 kW
	Charging time*	120 V – 12A

## TECHNICAL SPECIFICATIONS

<b>HIGH-VOLTAGE POWER UNIT</b>			
		240 V – 30A	50 min for 20-80% 1 hr 30 min for 0-100%
* Times shown are for optimal conditions. When the internal battery temperature is too low or too high, charging time may be longer.			

<b>Cooling System</b>			
Coolant	Recommended		XPS Extended life pre-mixed coolant
	Alternative, or if not available		Ethyl glycol and distilled water (50%/50%) or coolant specifically formulated for electric vehicles
	Capacity	1-UP Models	5.3 l (1.4 gal (liq.,US))
		2-UP Models	5.5 l (1.5 gal (liq.,US))

<b>12V Electrical System</b>		
Battery	Type	Maintenance free — VRLA (Valve Regulated Lead Acid)
	Voltage	12 volts
	Nominal rating	20 A•h
Charging port light		LED
Console light		LEDs
Headlight		LEDs
Licence plate light		LEDs
Position light		LEDs
Taillight		LEDs

<b>12V Electrical System</b>			
Turn signal lights			LEDs
Fuses	F2	Gauge/OBC/DLC	10 A
	F3	2WD/4WD ACT	5 A
	F4	Accessories	15 A
	F5	Coil/Key/Gauge/EV Modules/VCU	7.5 A
	F6	HL/Sig. Light/Rear Light/LP	15 A
	F7	CPump/Bypass/PCB Box	7.5 A
	F8	Cooling Fan	15 A (auto-resettable fuse)

---

**12V Electrical System**

	F10	DPS/DLC/Trailer Flasher Module	10 A
	PF2	Main fuse	40 A
	PF3	DPS	40 A
	PF5	Inverter/BMS	40 A
Relays	R1	Main Relay	—
	R2	Front / Rear / Trailer Lights (except Headlamp Hi)	—
	R4	Accessories Relay	—
	R5	Headlamp Hi Relay	—

## TECHNICAL SPECIFICATIONS

<b>12V Electrical System</b>			
	R6	Brake Relay	—
	R7	Winch In Relay (optional)	—
	R8	Winch Out Relay (optional)	—
	R10	Horn Relay	—

<b>Drive System</b>		
Drive system type	All models	Selectable 2WD/4WD
Front differential oil	Capacity	350 ml (11.8 fl oz (US))
	Recommended XPS differential oil	XPS gear oil 75W90
Front drive	All models	Visco-Lok auto-locking front differential, spiral gears

<b>Drive System</b>	
Front drive ratio	3.6:1
CV joint grease	XPS CV joint grease (boots) XPS Spline grease (splines)
Spline's propeller shaft grease (grease applied to spline connections)	XPS Spline grease

<b>Gearbox</b>			
Type			Dual range (HI-LO) with PARK and Neutral
Gearbox oil	Final Drive Unit (FDU)	Capacity	0.2 l (0.21 qt (liq.,US))
		Recommended XPS oil	XPS 75W140 synthetic gear oil
		If recommended oil is not available	75W140 API GL-5 synthetic gearbox oil
	Gearbox	Capacity	0.3 l (0.32 qt (liq.,US))



## TECHNICAL SPECIFICATIONS

<b>Gearbox</b>			
		Recommended XPS oil	XPS Full Synthetic DCT OIL
		If recommended oil is not available	Contact your authorized Can-Am Off-road dealer
Gearbox overall gear ratio		High (Forward and Reverse)	17.83:1
		Low (Forward and Reverse)	30.635:1
Final drive unit			Spiral bevel gear / Final drive
Final drive unit ratio			3.6:1

<b>Front Suspension</b>		
Suspension type		Double A-arm with dive-control geometry
Suspension travel		24.8 cm (9.75 in)
Shock absorber	Quantity	2
	Type	Twin tube
Preload adjustment		5 positions cam

<b>Rear Suspension</b>		
Suspension type		Double A-arm with dive-control geometry
Suspension travel		26 cm (10.25 in)

## TECHNICAL SPECIFICATIONS

<b>Rear Suspension</b>		
Shock absorber	Quantity	2
	Type	Twin tube
Preload adjustment		5 positions cam

<b>Brakes</b>		
Type	All models	Hydraulic disc brakes
Front brake	Qty	2
	Type	Dual 214 mm (8.4 in) brake disc with hydraulic twin-pistons calipers
Rear brake	Qty	1
	Type	Single 214 mm (8.4 in) brake disc with hydraulic twin-pistons calipers

---

<b>Brakes</b>		
Brake fluid	Type	DOT 4
	Capacity	Approximately 260 ml (8.8 fl oz (US))
Caliper		Floating
Brake pad material		Metallic
Minimum brake pad thickness		0.5 mm (.02 in)
Minimum brake disc thickness		4 mm (.157 in)
Maximum brake disc warpage		0.2 mm (.01 in)

## TECHNICAL SPECIFICATIONS

<b>Tires</b>		
Pressure	Recommended tire inflation pressure is found on the <b>Tire Label</b> . Refer to the appropriate <b>Important On-Product Labels</b> section for its location.	
Tire size	Front	XPS Recon Force 26x8R14
	Rear	XPS Recon Force 26x10R14
Minimum tire thread depth		3 mm (.118 in)

<b>Wheels</b>		
Type	All models	Cast aluminum
Rim size	Front	All models 35.6 x 16.5 cm (14 x 6.5 in)
	Rear	All models 35.6 x 21.6 cm (14 x 8.5 in)

<b>Wheels</b>		
Wheel lug nuts torque		80 ± 5 Nm (59 ± 4 lbf-ft)
Wheel Offset	Front	41.2 mm (1.6 in)
	Rear	51.2 mm (2 in)

<b>Chassis</b>	
Frame	Tubular high strength steel

<b>Dimensions</b>		
Overall length	1-UP Models	234 cm (92.1 in)
	2-UP Models	254.4 cm (100.2 in)

## TECHNICAL SPECIFICATIONS

<b><i>Dimensions</i></b>		
Overall width		122.3 cm (48.1 in)
Overall height	1-UP Models	146.5 cm (57.7 in)
	2-UP Models	146.2 cm (57.5 in)
Wheelbase	1-UP Models	134.5 cm (53 in)
	2-UP Models	154.2 cm (60.7 in)
Track width	Front	987 cm (38.9 in)
	Rear	955cm (37.6 in)

<b>Dimensions</b>		
Ground clearance	1-UP Models	30.5 cm (12 in)
	2-UP Models	30.5 cm (12 in)

<b>WEIGHT AND LOADING CAPACITY</b>		
Dry weight	1-UP Models	402 kg (885 lb)
	2-UP Models	420 kg (925 lb)
Front rack capacity		54.4 kg (120 lb)
Front storage compartment loading capacity		34 l (9 gal (liq.,US))
Rear rack capacity		109 kg (240 lb)



## TECHNICAL SPECIFICATIONS

<b>WEIGHT AND LOADING CAPACITY</b>		
Total vehicle load allowed (including driver, passenger, all other loads and added accessories)	1-UP Models	234 kg (517 lb)
	2-UP Models	272 kg (600 lb)
Towing capacity (unbraked)		394 kg (870 lb)
Towing capacity (braked)		830 kg (1830 lb)
Tongue capacity		83 kg (183 lb)



## **7 PARTS CATALOG - TABLE OF CONTENTS**

---

ONLINE PARTS CATALOG .....7-2

---

## **ONLINE PARTS CATALOG**

The parts catalog required for your Can-Am ATV is available on our website at:

**[www.epc.brp.com](http://www.epc.brp.com)**

## **8 TROUBLESHOOTING - TABLE OF CONTENTS**

---

### **WHAT TO DO IN THE FOLLOWING CIRCUMSTANCES . . . . .8-2**

- Lost Key . . . . . 8-2
- Discharged 12V Battery . . . . . 8-2
- EVSE Charging Cable Locked on Vehicle (Type 2 Connector) . . . . . 8-5

### **TROUBLESHOOTING GUIDELINES . . . . .8-7**

- Reduced Power Steering Assist . . . . . 8-7
- Vehicle Does Not Charge . . . . . 8-7
- Vehicle Cannot Reach Full Speed . . . . . 8-9
- Vehicle Has Shut Down. . . . . 8-9
- Vehicle Lacks Acceleration or Power . . . . . 8-10
- Vehicle Propulsion System Overheats . . . . . 8-10

---

## WHAT TO DO IN THE FOLLOWING CIRCUMSTANCES

### Lost Key

If you vehicle **D. E. S. S. keys** is lost, an additional blank key can be order and programmed for your vehicle.

Visit your authorized Can-Am Off-Road dealer to obtain a new D.E.S.S key for your vehicle.

### Discharged 12V Battery

If the low voltage battery is discharged or too low to activate the vehicle, it can be jump started as follows:

**WARNING**

Batteries can emit explosive gas that can ignite if jumper cables are not properly connected.  
Connect the jumper cables as specified in the procedure that follows.

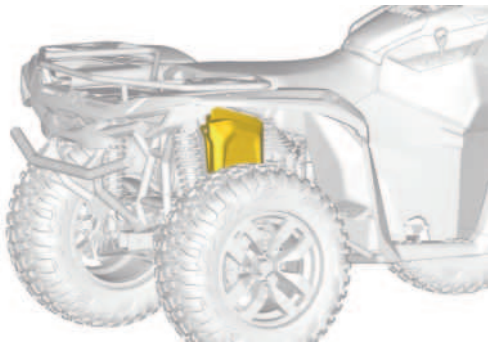
**NOTICE**

Do not disconnect the discharged battery.

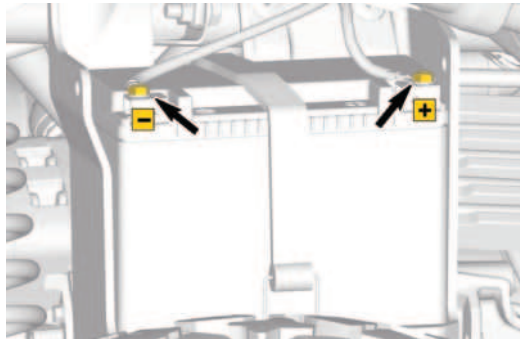
1. Park the vehicle in a safe place. Refer to [Parking the Vehicle, page 3-152](#).

## TROUBLESHOOTING

2. Park the booster vehicle close to the rear of the vehicle.
3. Remove the battery cover. Refer to [12V Battery Removal, page 4-67](#).



4. Remove the positive terminal cover and clean corrosion from battery posts before connecting the jumper cables.



5. Connect one end of the RED jump lead to the positive (+) post of the discharged battery.

- 
6. Connect the other end of the RED jump lead to the positive (+) post of the booster vehicle battery.
  7. Connect one end of the BLACK jump lead to the negative (-) post of the discharged battery.
  8. Connect the other end of the BLACK jump lead to the negative (-) post of the booster vehicle battery.
  9. Start the booster vehicle and let run to idle.
  10. Install the vehicle D.E.S.S. key on its post and start the vehicle, **Do not activate the propulsion system**; If the vehicle does not start, wait a few minutes before repeating the

attempt in order to protect the low and/or high voltage system(s).

NOTE:

If the vehicle shut down with the booster vehicle connected to the 12V battery, there might be a problem with the low and / or the high voltage electrical system (s). Have the vehicle transported (see *Transporting the Vehicle* ) and repaired by an authorized Cam-Am dealer.

11. Once the vehicle is started, let run booster vehicle to idle for a few minutes before disconnecting the jumper cables.
12. Remove the jumper cables in the reverse order that they were connected.
13. Have the 12 Volt battery fully recharged with a battery charger or by a qualified service



station as soon as possible. Refer to [12V Battery Recharge](#), page 4-69.

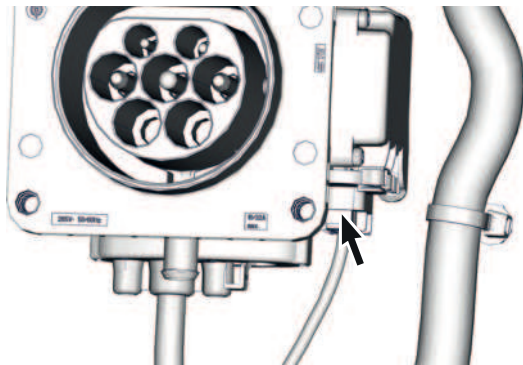
After recharging battery, have the vehicle inspected by an authorized Can-Am Off-Road dealer.

### EVSE Charging Cable Locked on Vehicle (Type 2 Connector)

If the EVSE charging cable is locked on the vehicle and cannot be removed with the usual procedure, proceed as follows:

1. Remove the seat. Refer to [Seat Removal](#), page 3-52.
2. Remove the left side panel. Refer to [Side Panel Removal](#), page 3-57
3. Insert a T30 Torx key (same used for side panel removal) in the RED hexagonal locking

actuator release latch, located under the right-hand side of the charge port.



4. Rotate the locking actuator release latch counter-clockwise to unlock the EVSE cable.
5. Remove the EVSE cable from the vehicle charging port.

- 
6. Install the left side panel. Refer to [Side Panel Installation, page 3-60](#)
  7. Install the seat. Refer to [Seat Installation, page 3-54](#).

### TROUBLESHOOTING GUIDELINES

#### Reduced Power Steering Assist

**When DPS is subjected to sustained severe steering conditions, the assistance provided by the DPS motor may be reduced to protect the system.**

Once the load is reduced, the normal steering assistance will return.

#### **The digital display shows CHECK DPS.**

Seek service from an authorized Can-Am Off-road dealer, repair shop or person of your own choosing for maintenance, repair or replacement.

#### Vehicle Does Not Charge

**The battery temperature is too low.**

Make sure the EVSE charging cable is fully inserted in the vehicle charging port, then press the start button to wake up the multifunction display and read the notification. It should say “warming up”. This means the heater is heating the battery and charging will start when the battery reaches the proper temperature. No action to take.

---

**The high-voltage propulsion system temperature is too high.**

Check the coolant level. Refer to [Coolant Level Verification, page 4-36](#).

If the coolant level is correct, keep the vehicle connected to the EVSE. The vehicle cooling system will cool down the HV propulsion system, allowing the charge to be restored.

If the coolant level is not correct, disconnect the vehicle from the EVSE and, contact an authorized BRP dealer.

**The vehicle charging system has a malfunction or cannot communicate with the EVSE.**


Ensure the charging cable is properly connected and locked to the vehicle charging port.

Ensure the EVSE is powered and functioning correctly.

Contact an authorized Can-Am Off-road dealer.

**High-voltage propulsion system is in limited performance mode.**



The  icon is displayed in the multifunction display due to a system malfunction.

Seek service from an authorized Can-Am Off-road dealer, repair shop or person of your own choosing for maintenance, repair or replacement.

### Vehicle Cannot Reach Full Speed

#### Brake lock lever engaged.


Ensure the brake lock lever is completely disengaged.

#### High-voltage propulsion system malfunction.

Refer to [Vehicle Lacks Acceleration or Power, page 8-10](#).

#### High-voltage propulsion system is in limited performance mode.



The  icon is displayed in the multifunction display due to a system malfunction.

Seek service from an authorized Can-Am Off-road dealer, repair shop or person of your own choosing for maintenance, repair or replacement.

### Vehicle Has Shut Down.

#### 12V battery is too low.

Have the vehicle 12V battery charged.

Plug in the vehicle.

Contact an authorized Can-Am Off-road dealer.

#### Failure in the propulsion battery.

Check digital display for messages.

HIGH-VOLTAGE PROPULSION SYSTEM (S) indicator lamp(s) is (are) on. Seek service from an authorized Can-Am Off-road dealer, repair shop or person of your own choosing for maintenance, repair or replacement.

---

## Vehicle Lacks Acceleration or Power


### High-voltage propulsion system error.

If vehicle lacks acceleration or power and there is no error, the high-voltage battery SOC might be low or its temperature outside the nominal range, plug in vehicle.

If HV error(s) are present, seek service from an authorized Can-Am Off-road dealer for maintenance, repair or replacement.

### High-voltage propulsion system is in limited performance mode.



The  icon is displayed in the multifunction display due to a system malfunction.

Seek service from an authorized Can-Am Off-road dealer for maintenance, repair or replacement.

## Vehicle Propulsion System Overheats

### Aggressive usage.

Excessive load or repeated accelerations in high gear. Let the vehicle cool down and/or select the Low (L) gear, if pulling a load.

### Cooling fan inoperative.

Check cooling fan fuse or relay, refer to [Fuses and Fuse Box Location, page 4-73](#). If the fuse is good, seek service from an authorized Can-Am Off-road dealer, repair shop or person of your own choosing for maintenance, repair or replacement.

### Dirty radiator fins.

Clean radiator fins, refer to [Radiator Inspection, page 4-40](#).

### **Low coolant in cooling system.**

Check coolant level, refer to [Coolant Level Verification, page 4-36](#).





## **9** WARRANTY - TABLE OF CONTENTS

---

**BRP LIMITED WARRANTY USA AND  
CANADA: 2026 CAN-AM® ELECTRIC  
ATV .....9-2**

**BRP INTERNATIONAL LIMITED  
WARRANTY: 2026 CAN-AM® ELECTRIC  
ATV ..... 9-13**

**BRP LIMITED WARRANTY FOR THE  
EUROPEAN ECONOMIC AREA, THE  
COMMONWEALTH OF THE  
INDEPENDENT STATES AND TURKEY:  
2026 CAN-AM® ELECTRIC  
ATV ..... 9-25**

---

# BRP LIMITED WARRANTY USA AND CANADA: 2026 CAN-AM® ELECTRIC ATV

## 1) SCOPE OF THE LIMITED WARRANTY

Bombardier Recreational Products Inc. ("**BRP**") warrants its 2026 Can-Am Electric ATV (the "**Product**") and its high-voltage batteries sold by authorized BRP Dealers (as hereinafter defined) in the United States of America ("**USA**") and in Canada from defects in material or workmanship for the period and under the conditions described below.

This limited warranty will become null and void if:

1. The Product was used for racing or any other competitive activity, at any point, even by a previous owner; or
2. The Product has been altered or modified in such a way so as to adversely affect its operation, performance or durability, or has been altered or modified to change its intended use.
3. The Product has been altered or modified in such a way so as to adversely affect the high-voltage battery operation, performance or durability;
4. The Product's high-voltage battery has been used as a stationary power source.

The on-board charger, heater, inverter, and e-motor are covered under the vehicle's limited warranty period against defects in material or workmanship.

Non-factory installed parts and accessories are not covered under this limited warranty. Please refer to the applicable parts and accessories limited warranty text.

---

## **2) LIMITATIONS OF LIABILITY**

TO THE EXTENT PERMITTED BY LAW, THIS WARRANTY IS EXPRESSLY GIVEN AND ACCEPTED IN LIEU OF ANY AND ALL OTHER WARRANTIES, EXPRESSED OR IMPLIED, INCLUDING WITHOUT LIMITATION ANY WARRANTY OF MERCHANTABILITY OR FITNESS FOR A PARTICULAR PURPOSE. TO THE EXTENT THAT THEY CANNOT BE DISCLAIMED, THE IMPLIED WARRANTIES ARE LIMITED IN DURATION TO THE LIFE OF THE EXPRESS WARRANTY. INCIDENTAL AND CONSEQUENTIAL DAMAGES ARE EXCLUDED FROM COVERAGE UNDER THIS WARRANTY. SOME STATES/ PROVINCES DO NOT ALLOW FOR THE DISCLAIMERS, LIMITATIONS AND EXCLUSIONS IDENTIFIED ABOVE. AS A RESULT, THEY MAY NOT APPLY TO YOU. THIS WARRANTY GIVES YOU SPECIFIC RIGHTS, AND YOU MAY ALSO HAVE OTHER LEGAL RIGHTS WHICH MAY VARY FROM STATE TO STATE, OR PROVINCE TO PROVINCE.

Neither the distributor, any BRP dealer nor any other person has been authorized to make any affirmation, representation or warranty regarding the product and/or its high-voltage batteries, other than those contained in this limited warranty, and if made, shall not be enforceable against BRP.

BRP reserves the right to modify this limited warranty at any time, being understood that such modification will not alter the warranty conditions applicable to the Products and/or its high voltage batteries sold while this warranty is in effect.

## 3) EXCLUSIONS—ARE NOT WARRANTED

This warranty does not cover damage or failures resulting from or caused by:

- Attempting any modification of the high voltage components such as the on-board charger, high voltage battery, heater, inverter and/or e-motor, for example: to gain faster charge times or increase the original power output will void the warranty.
- Opening any of the high voltage components such as high voltage battery, on-board charger, heater, inverter and e-motor.
- Improper towing or vehicle recovery from a depleted high voltage battery or other failure may damage the e-motor or other high voltage components. Failure to follow the recommended towing and/or recovery method prescribed in this manual will void the warranty.

The following are not warranted under any circumstances:

- Normal wear and tear;
- Routine maintenance items, tune ups, adjustments;
- Damage caused by negligence or failure to provide proper maintenance and/or storage, as described in the Operator's Guide;
- Damages related to the appearance of the Product, including without limitation scratches, dents, fading, flaking, peeling and damages to seat cover material;

- 
- Damage resulting from the installation of parts with specifications that differ from the original Product parts, such as, without limitation, different tires, wheels or brakes.
  - Damage or failures due to the installation of non-BRP accessories to the electrical systems of the Product.
  - Damage resulting from removal of parts, improper repairs, service, maintenance, modifications or use of parts or accessories not manufactured or approved by BRP or resulting from repairs done by a person that is not an authorized servicing BRP Dealer.
  - Damage caused by abuse, abnormal use, neglect or operation of the product in a manner inconsistent with the recommended operation described in the Operator's Guide;
  - Damage resulting from accident, submersion, fire, theft, vandalism or any act of God;
  - Operation with chemicals, oils or lubricants which are not suitable for use with the product (see the Operator's Guide);
  - Damages resulting from snow or water ingestion;
  - Damages from rust, corrosion or exposure to the elements;
  - Incidental or consequential damages, or damages of any kind including without limitation transportation expenses, towing, storage, telephone, rental, taxi, inconvenience, insurance coverage, loan payments, loss of time, loss of income or time missed for downtime experience due to service work;

- Damage resulting from wrong installation of BRP accessories, if installation does not conform to BRP's instructions.
- Damage caused by failure to provide proper maintenance and/or storage, as described in the Operator's Guide. Exposing the vehicle to ambient temperatures above 60°C (140°F) or below -40°C (-40°F) may damage the high-voltage battery and void the warranty;
- Damage caused by exposing the high voltage battery to contact with a direct flame;
- Physical damage to the high voltage battery or intentional attempt to reduce the life of the high voltage battery;
- Damage to internal components resulting from disassembly, opening the high-voltage battery enclosure is strictly forbidden;
- Damage resulting from incorrect charging procedures or incompatible charging devices;
- Damage to high voltage battery, resulting from leaving the vehicle at low state of charge for a long time without usage. Storage must be done as described in the Operator's Guide.
- Consequential damage caused by negligence or failure to provide proper repair an existing problem;
- Damage resulting by negligence or failure to provide proper installation of new software update;
- Loss of battery capacity due to or resulting from gradual capacity loss.<sup>(1)</sup>

<sup>(1)</sup> Any capacity/range reduction-based claim must be confirmed by and approved by BRP to be eligible for coverage.

---

#### 4) WARRANTY COVERAGE PERIOD

This limited warranty will be in effect from (1) the date of delivery to the first retail consumer, or (2) the date the product is first put into use, whichever occurs first and for the applicable period below:

- **TWELVE (12) consecutive months**, for private use or commercial use owners.

##### *HIGH-VOLTAGE BATTERY*

**The high-voltage battery limited warranty will be in effect for SIXTY (60) consecutive months, or twenty thousand kilometers (20,000km) or (12,500 mi), whichever occurs first, only if the high-voltage battery state of health (SOH) is equal or greater than ( $\geq$ ) seventy percent (70%) of initial capacity.**

The repair or replacement of parts or the performance of service under this warranty does not extend the life of this limited warranty beyond its original expiration date.



## 5) CONDITIONS TO HAVE WARRANTY COVERAGE

This warranty coverage is available **only** if **each** of the following conditions has been fulfilled:

- The Product must be purchased as new and unused by its first owner from a Dealer authorized to sell the Products in the country in which the sale occurred (“Dealer”);
- The BRP specified pre-delivery inspection process must be completed, documented and signed by the purchaser;
- The Product must have undergone proper registration by an authorized Dealer;
- The Product must be purchased in the country in which the purchaser resides;
- Routine maintenance outlined in the Operator’s Guide must be timely performed in order to maintain warranty coverage. BRP reserves the right to make warranty coverage contingent upon proof of proper maintenance.

BRP will not honor this limited warranty to any private use owner or commercial use owner if one of the preceding conditions has not been met. Such limitations are necessary in order to allow BRP to preserve both the safety of its products, and also that of its consumers and the general public.

---

## **6) WHAT TO DO TO OBTAIN WARRANTY COVERAGE**

The customer must cease using the Product upon the appearance of an anomaly, notify a servicing BRP dealer within three (3) days of the appearance of the anomaly and provide the Dealer with reasonable access to the Product and reasonable opportunity to repair it.

The customer must also present to the Dealer, proof of purchase of the Product and must sign the repair/work order prior to starting the repair in order to validate the warranty repair.

All parts replaced under this limited warranty become the property of BRP.

## 7) WHAT BRP WILL DO

BRP's obligations under this warranty are limited to, at its sole discretion, repairing or replacing parts found defective under normal use, maintenance and service without charge for parts and labor, at any authorized BRP dealer during the warranty coverage period under the conditions described herein. No claim of breach of warranty shall be cause for cancellation or rescission of the sale of the Product to the owner.

In the event that service is required outside of the country of original sale, the owner will bear responsibility for any additional charges due to local practices and conditions, such as, but not limited to, freight, insurance, taxes, license fees, import duties, and any and all other financial charges, including those levied by governments, states, territories and their respective agencies.

BRP reserves the right to improve or modify products from time to time without assuming any obligation to modify products previously manufactured.

## 8) TRANSFER

If the ownership of a Product is transferred during the warranty coverage period, this limited warranty, subject to its terms and conditions, shall also be transferred and be valid for the remaining coverage period provided BRP or an authorized Product Distributor/Dealer receives a proof that the former owner agreed to the transfer of ownership, in addition to the coordinates of the new owner.

---

## 9) CONSUMER ASSISTANCE

In the event of a controversy or a dispute in connection with this limited warranty, BRP suggests that you try to resolve the issue at the dealership level. We recommend discussing the issue with the authorized dealer's service manager or owner.

If the matter still remains unresolved, contact BRP by filling out the customer contact form at **www.brp.com** or contact BRP by mail at one of the addresses listed under the [Contact Us, page 10-7](#) section of this guide.

## BRP INTERNATIONAL LIMITED WARRANTY: 2026 CAN-AM® ELECTRIC ATV

### 1) SCOPE OF THE LIMITED WARRANTY

Bombardier Recreational Products Inc. ("**BRP**") warrants its 2026 Can-Am® Electric ATV (the "**Product**") and its high-voltage batteries sold by distributors or dealers authorized by BRP to distribute the Products outside of the United States of America ("**USA**"), Canada, member states of the European Economic Area (which is comprised of the states of the European Union plus the United Kingdom, Norway, Iceland and Liechtenstein) ("**EEA**"), Turkey, member states of the Commonwealth of the Independent States (including Ukraine and Turkmenistan) ("**CIS**") from defects in material or workmanship for the period and under the conditions described below.

This limited warranty will become null and void if:

1. The Product was used for racing or any other competitive activity, at any point, even by a previous owner; or
2. The Product has been altered or modified in such a way so as to adversely affect its operation, performance or durability, or has been altered or modified to change its intended use.
3. The Product has been altered or modified in such a way so as to adversely affect the high-voltage battery operation, performance or durability;
4. The Product's high-voltage battery has been used as a stationary power source.

---

The on-board charger, heater, inverter, and e-motor are covered under the vehicle's limited warranty period against defects in material or workmanship.

Non-factory installed parts and accessories are not covered under this limited warranty. Please refer to the applicable parts and accessories limited warranty text.

## 2) LIMITATIONS OF LIABILITY

TO THE EXTENT PERMITTED BY LAW, THIS WARRANTY IS EXPRESSLY GIVEN AND ACCEPTED IN LIEU OF ANY AND ALL OTHER WARRANTIES, EXPRESSED OR IMPLIED, INCLUDING WITHOUT LIMITATION ANY WARRANTY OF MERCHANTABILITY OR FITNESS FOR A PARTICULAR PURPOSE. TO THE EXTENT THAT THEY CANNOT BE DISCLAIMED, THE IMPLIED WARRANTIES ARE LIMITED IN DURATION TO THE LIFE OF THE EXPRESS WARRANTY. INCIDENTAL AND CONSEQUENTIAL DAMAGES ARE EXCLUDED FROM COVERAGE UNDER THIS WARRANTY. SOME STATES/ PROVINCES DO NOT ALLOW FOR THE DISCLAIMERS, LIMITATIONS AND EXCLUSIONS IDENTIFIED ABOVE. AS A RESULT, THEY MAY NOT APPLY TO YOU. THIS WARRANTY GIVES YOU SPECIFIC RIGHTS, AND YOU MAY ALSO HAVE OTHER LEGAL RIGHTS WHICH MAY VARY FROM COUNTRY TO COUNTRY. BRP SHALL NOT BE HELD LIABLE IF PRODUCTS OR WARRANTY PARTS ARE NOT AVAILABLE IN CERTAIN COUNTRIES FOR REASONS OUTSIDE OF BRP'S CONTROL.

For Products purchased in Australia, refer to the Australia-specific section below.

Neither the distributor, any BRP Distributor/Dealer nor any other person has been authorized to make any affirmation, representation or warranty regarding the product and/or its high voltage battery, other than those contained in this limited warranty, and if made, shall not be enforceable against BRP.

BRP reserves the right to modify this limited warranty at any time, being understood that such modification will not alter the warranty conditions applicable to the Products and its high-voltage batteries sold while this warranty is in effect.

---

### 3) EXCLUSIONS – ARE NOT WARRANTED

This warranty does not cover damage or failures resulting from or caused by:

- Attempting any modification of the high voltage components such as the on-board charger, high voltage battery, heater, inverter and/or e-motor, for example: to gain faster charge times or increase the original power output will void the warranty.
- Opening any of the high voltage components such as high voltage battery, on-board charger, heater, inverter and e-motor.
- Improper towing or vehicle recovery from a depleted high voltage battery or other failure may damage the e-motor or other high voltage components. Failure to follow the recommended towing and/or recovery method prescribed in this manual will void the warranty.

The following are not warranted under any circumstances:

- Normal wear and tear;
- Routine maintenance items, tune ups, adjustments;
- Damage caused by negligence or failure to provide proper maintenance and/or storage, as described in the Operator's Guide;
- Damages related to the appearance of the Product, including without limitation scratches, dents, fading, flaking, peeling and damages to seat cover material;



- Damage resulting from the installation of parts with specifications that differ from the original Product parts, such as, without limitation, different tires, wheels or brakes.
- Damage or failures due to the installation of non-BRP accessories to the electrical systems of the Product.
- Damage resulting from removal of parts, improper repairs, service, maintenance, modifications or use of parts or accessories not manufactured or approved by BRP or resulting from repairs done by a person that is not an authorized servicing BRP Dealer.
- Damage caused by abuse, abnormal use, neglect or operation of the product in a manner inconsistent with the recommended operation described in the Operator's Guide;
- Damage resulting from accident, submersion, fire, theft, vandalism or any act of God;
- Operation with chemicals, oils or lubricants which are not suitable for use with the product (see the Operator's Guide);
- Damages resulting from snow or water ingestion;
- Damages from rust, corrosion or exposure to the elements;
- Incidental or consequential damages, or damages of any kind including without limitation transportation expenses, towing, storage, telephone, rental, taxi, inconvenience, insurance coverage, loan payments, loss of time, loss of income or time missed for downtime experience due to service work;

- 
- Damage resulting from wrong installation of BRP accessories, if installation does not conform to BRP's instructions.
  - Damage caused by failure to provide proper maintenance and/or storage, as described in the Operator's Guide. Exposing the vehicle to ambient temperatures above 60°C (140°F) or below -40°C (-40°F) may damage the high-voltage battery and void the warranty;
  - Damage caused by exposing the high voltage battery to contact with a direct flame;
  - Physical damage to the high voltage battery or intentional attempt to reduce the life of the high voltage battery;
  - Damage to internal components resulting from disassembly, opening the high-voltage battery enclosure is strictly forbidden;
  - Damage resulting from incorrect charging procedures or incompatible charging devices;
  - Damage to high voltage battery, resulting from leaving the vehicle at low state of charge for a long time without usage. Storage must be done as described in the Operator's Guide.
  - Consequential damage caused by negligence or failure to provide proper repair an existing problem;
  - Damage resulting by negligence or failure to provide proper installation of new software update;
  - Loss of battery capacity due to or resulting from gradual capacity loss.<sup>(1)</sup>

<sup>(1)</sup> Any capacity/range reduction-based claim must be confirmed by and approved by BRP to be eligible for coverage.

## 4) WARRANTY COVERAGE PERIOD

This limited warranty will be in effect from (1) the date of delivery to the first retail consumer, or (2) the date the Product is first put into use, whichever occurs first and for the applicable period below:

- **TWELVE (12) consecutive months**, for private use or commercial use owners.

### *HIGH-VOLTAGE BATTERY*

**The high-voltage battery limited warranty will be in effect for SIXTY (60) consecutive months, or twenty thousand kilometers (20,000km) or (12,500 mi), whichever occurs first, only if the high-voltage battery state of health (SOH) is equal or greater than ( $\geq$ ) seventy percent (70%) of initial capacity.**

The repair or replacement of parts or the performance of service under this warranty does not extend the life of this warranty beyond its original expiration date. Loss of battery capacity resulting from gradual capacity loss is NOT covered under this warranty beyond the terms and limit specified above.

The warranty coverage period identified above are a minimal limited warranty period which can be extended by any applicable warranty promotional program, as the case may be.

Note that the duration and any other modalities of the warranty coverage are subject to the applicable national or local legislation in the customer's country.

### **FOR PRODUCTS SOLD IN AUSTRALIA ONLY**

Our goods come with guarantees that cannot be excluded under the Australian Consumer Law.

---

You are entitled to a replacement or refund for a major failure and for compensation for any other reasonably foreseeable loss or damage.

You are also entitled to have the goods repaired or replaced if the goods fail to be of acceptable quality and the failure does not amount to a major failure.

Nothing in these Warranty terms and conditions should be taken to exclude, restrict or modify the application of any condition, warranty, guarantee, right or remedy conferred or implied under the Competition and Consumer Act 2010 (Cth), including the Australian Consumer Law or any other law, where to do so would contravene that law, or cause any part of these terms and conditions to be void. The benefits given to you under this limited warranty are in addition to other rights and remedies that you have under Australian law.

## 5) CONDITIONS TO HAVE WARRANTY COVERAGE

This warranty coverage is available **only** if **each** of the following conditions has been fulfilled:

- The Product must be purchased as new and unused by its first owner from a Distributor/Dealer authorized to distribute Products in the country in which the sale occurred (“Distributor/Dealer”);
- The BRP specified pre-delivery inspection process must be completed, documented and signed by the purchaser;
- The Product must have undergone proper registration by an authorized Distributor/Dealer;
- The Product must be purchased in the country in which the purchaser resides;
- Routine maintenance outlined in the Operator’s Guide must be timely performed in order to maintain warranty coverage. BRP reserves the right to make warranty coverage contingent upon proof of proper maintenance.

BRP will not honor this limited warranty to any private use owner or commercial use owner if one of the preceding conditions has not been met. Such limitations are necessary in order to allow BRP to preserve both the safety of its products, and also that of its consumers and the general public.

---

## **6) WHAT TO DO TO OBTAIN WARRANTY COVERAGE**

The customer must cease using the Product upon the appearance of an anomaly, notify a servicing BRP Distributor/Dealer within two (2) months of the appearance of the anomaly and provide the Distributor/Dealer with reasonable access to the Product and reasonable opportunity to repair it.

The notification period is subject to the applicable national or local legislation in customer's country.

The customer must also present to the Distributor/Dealer, proof of purchase of the Product and must sign the repair/work order prior to starting the repair in order to validate the warranty repair.

All parts replaced under this limited warranty become the property of BRP.

## 7) WHAT BRP WILL DO

To the extent permitted by law, BRP's obligations under this warranty are limited to, at its sole discretion, repairing or replacing parts found defective under normal use, maintenance and service without charge for parts and labor, at any authorized BRP Distributor/Dealer during the warranty coverage period under the conditions described herein. No claim of breach of warranty shall be cause for cancellation or rescission of the sale of the Product to the owner. You may have other legal rights which may vary from country to country.

In the event that service is required outside of the country of original sale, the owner will bear responsibility for any additional charges due to local practices and conditions, such as, but not limited to, freight, insurance, taxes, license fees, import duties, and any and all other financial charges, including those levied by governments, states, territories and their respective agencies.

BRP reserves the right to improve or modify products from time to time without assuming any obligation to modify products previously manufactured.

## 8) TRANSFER

If the ownership of a Product is transferred during the warranty coverage period, this limited warranty, subject to its terms and conditions, shall also be transferred and be valid for the remaining coverage period provided BRP or an authorized Product Distributor/Dealer receives a proof that the former owner agreed to the transfer of ownership, in addition to the coordinates of the new owner.

---

## 9) CONSUMER ASSISTANCE

In the event of a controversy or a dispute in connection with this limited warranty, BRP suggests that you try to resolve the issue at the dealership level. We recommend discussing the issue with the authorized Distributor/Dealer's service manager or owner.

If the matter still remains unresolved, contact BRP by filling out the customer contact form at **www.brp.com** or contact BRP by mail at one of the addresses listed under the [Contact Us, page 10-7](#) section of this guide.



## **BRP LIMITED WARRANTY FOR THE EUROPEAN ECONOMIC AREA, THE COMMONWEALTH OF THE INDEPENDENT STATES AND TURKEY: 2026 CAN-AM® ELECTRIC ATV**

### **1) SCOPE OF THE LIMITED WARRANTY**

Bombardier Recreational Products Inc. ("**BRP**") warrants its 2026 Can-Am® Electric ATV (the "**Product**") and its high-voltage batteries sold by distributors or dealers authorized by BRP to distribute the Products in member states of the European Economic Area (which is comprised of the states of the European Union plus the United Kingdom, Norway, Iceland and Liechtenstein) ("**EEA**"), Turkey, member states of the Commonwealth of the Independent States (including Ukraine and Turkmenistan) ("**CIS**") from defects in material or workmanship for the period and under the conditions described below.

---

This limited warranty will become null and void if:

1. The Product was used for racing or any other competitive activity, at any point, even by a previous owner; or
2. The Product has been altered or modified in such a way so as to adversely affect its operation, performance or durability, or has been altered or modified to change its intended use.
3. The Product has been altered or modified in such a way so as to adversely affect the high-voltage battery operation, performance or durability;
4. The Product's high-voltage battery has been used as a stationary power source.

The on-board charger, heater, inverter, and e-motor are covered under the vehicle's limited warranty period against defects in material or workmanship.

Non-factory installed parts and accessories are not covered under this limited warranty. Please refer to the applicable parts and accessories limited warranty text.

## 2) LIMITATIONS OF LIABILITY

TO THE EXTENT PERMITTED BY LAW, THIS WARRANTY IS EXPRESSLY GIVEN AND ACCEPTED IN LIEU OF ANY AND ALL OTHER WARRANTIES, EXPRESSED OR IMPLIED, INCLUDING WITHOUT LIMITATION ANY WARRANTY OF MERCHANTABILITY OR FITNESS FOR A PARTICULAR PURPOSE. TO THE EXTENT THAT THEY CANNOT BE DISCLAIMED, THE IMPLIED WARRANTIES ARE LIMITED IN DURATION TO THE LIFE OF THE EXPRESS WARRANTY. INCIDENTAL AND CONSEQUENTIAL DAMAGES ARE EXCLUDED FROM COVERAGE UNDER THIS WARRANTY. SOME STATES/ PROVINCES DO NOT ALLOW FOR THE DISCLAIMERS, LIMITATIONS AND EXCLUSIONS IDENTIFIED ABOVE. AS A RESULT, THEY MAY NOT APPLY TO YOU. THIS WARRANTY GIVES YOU SPECIFIC RIGHTS, AND YOU MAY ALSO HAVE OTHER LEGAL RIGHTS WHICH MAY VARY FROM STATE TO STATE, OR COUNTRY TO COUNTRY. BRP SHALL NOT BE HELD LIABLE IF PRODUCTS OR WARRANTY PARTS ARE NOT AVAILABLE IN CERTAIN COUNTRIES FOR REASONS OUTSIDE OF BRP'S CONTROL.

For Products purchased in France, refer to the France-specific section below.

Neither the distributor, any BRP Distributor/Dealer nor any other person has been authorized to make any affirmation, representation or warranty regarding the product and its high-voltage batteries, other than those contained in this limited warranty, and if made, shall not be enforceable against BRP.

BRP reserves the right to modify this limited warranty at any time, being understood that such modification will not alter the warranty conditions applicable to the Products and/or its high-voltage batteries sold while this warranty is in effect.

---

### 3) EXCLUSIONS – ARE NOT WARRANTED

This warranty does not cover damage or failures resulting from or caused by:

- Attempting any modification of the high voltage components such as the on-board charger, high voltage battery, heater, inverter and/or e-motor, for example: to gain faster charge times or increase the original power output will void the warranty.
- Opening any of the high voltage components such as high voltage battery, on-board charger, heater, inverter and e-motor.
- Improper towing or vehicle recovery from a depleted high voltage battery or other failure may damage the e-motor or other high voltage components. Failure to follow the recommended towing and/or recovery method prescribed in this manual will void the warranty.

The following are not warranted under any circumstances:

- Normal wear and tear;
- Routine maintenance items, tune ups, adjustments;
- Damage caused by negligence or failure to provide proper maintenance and/or storage, as described in the Operator's Guide;
- Damages related to the appearance of the Product, including without limitation scratches, dents, fading, flaking, peeling and damages to seat cover material;

- Damage resulting from the installation of parts with specifications that differ from the original Product parts, such as, without limitation, different tires, wheels or brakes.
- Damage or failures due to the installation of non-BRP accessories to the electrical systems of the Can-Am
- Damage resulting from removal of parts, improper repairs, service, maintenance, modifications or use of parts or accessories not manufactured or approved by BRP or resulting from repairs done by a person that is not an authorized servicing BRP Dealer.
- Damage caused by abuse, abnormal use, neglect or operation of the product in a manner inconsistent with the recommended operation described in the Operator's Guide;
- Damage resulting from accident, submersion, fire, theft, vandalism or any act of God;
- Operation with chemicals, oils or lubricants which are not suitable for use with the product (see the Operator's Guide);
- Damages resulting from snow or water ingestion;
- Damages from rust, corrosion or exposure to the elements;
- Damage resulting from water or snow ingestion;
- Incidental or consequential damages, or damages of any kind including without limitation transportation expenses, towing, storage, telephone, rental, taxi, inconvenience, insurance coverage, loan payments, loss of time, loss of income or time missed for downtime experience due to service work;

- 
- Damage resulting from wrong installation of BRP accessories, if installation does not conform to BRP's instructions.
  - Damage caused by failure to provide proper maintenance and/or storage, as described in the Operator's Guide. Exposing the vehicle to ambient temperatures above 60°C (140°F) or below -40°C (-40°F) may damage the high-voltage battery and void the warranty;
  - Damage caused by exposing the high voltage battery to contact with a direct flame;
  - Physical damage to the high voltage battery or intentional attempt to reduce the life of the high voltage battery;
  - Damage to internal components resulting from disassembly, opening the high-voltage battery enclosure is strictly forbidden;
  - Damage resulting from incorrect charging procedures or incompatible charging devices;
  - Damage to high voltage battery, resulting from leaving the vehicle at low state of charge for a long time without usage. Storage must be done as described in the Operator's Guide.
  - Consequential damage caused by negligence or failure to provide proper repair an existing problem;
  - Damage resulting by negligence or failure to provide proper installation of new software update;
  - Loss of battery capacity due to or resulting from gradual capacity loss.<sup>(1)</sup>

<sup>(1)</sup> Any capacity/range reduction-based claim must be confirmed by and approved by BRP to be eligible for coverage.

## 4) WARRANTY COVERAGE PERIOD

This limited warranty will be in effect from (1) the date of delivery to the first retail consumer, or (2) the date the Product is first put into use, whichever occurs first and for the applicable period below:

- **TWENTY-FOUR (24) consecutive months**, for private use or commercial use owners.

### *HIGH-VOLTAGE BATTERY*

**The high-voltage battery limited warranty will be in effect for SIXTY (60) consecutive months, or twenty thousand kilometers (20,000km) or (12,500 mi), whichever occurs first, only if the high-voltage battery state of health (SOH) is equal or greater than ( $\geq$ ) seventy percent (70%) of initial capacity.**

The repair or replacement of parts or the performance of service under this warranty does not extend the life of this warranty beyond its original expiration date. Loss of battery capacity resulting from gradual capacity loss is NOT covered under this warranty beyond the terms and limit specified above.

The warranty coverage period identified above are a minimal limited warranty period which can be extended by any applicable warranty promotional program, as the case may be.

Note that the duration and any other modalities of the warranty coverage are subject to the applicable national or local legislation in the customer's country.

---

## 5) FOR PRODUCTS SOLD IN FRANCE ONLY

The seller shall deliver goods that are complying with the contract and shall be responsible for defects existing upon delivery. The seller shall also be responsible for defects resulting from packaging, assembling instructions or the installation when it is its responsibility per the contract or if accomplished under its responsibility. To be compliant with the contract, the good shall:

1. Be fit for normal use for goods similar thereto and, if applicable:
  - Correspond to the description provided by the seller and have the qualities presented to the buyer through sample or model;
  - Have the qualities that a buyer may legitimately expect considering the public declarations of the seller, the manufacturer of its representative, including in advertising or labeling; or
2. Have the characteristics mutually agreed upon as between the parties or be fit for the specific use intended by the buyer and brought to the attention of the seller and which were accepted by the seller.

The action for failure to comply is prescribed after two years after delivery of the goods. The seller is responsible for the warranty for hidden defects of the good sold if such hidden defects are rendering the good unfit for the intended use, or if they diminish its use in such a way that the buyer would not have acquired the good or would have given a lesser price, had he known. The action for such hidden defects shall be taken by the buyer within 2 years of the discovery of the defect.



## 6) CONDITIONS TO HAVE WARRANTY COVERAGE

This warranty coverage is available **only** if **each** of the following conditions has been fulfilled:

- The Product must be purchased as new and unused by its first owner from a Distributor/Dealer authorized to distribute Products in the country (or in the case of the EEA, union of countries) in which the sale occurred (“Distributor/Dealer”);
- The BRP specified pre-delivery inspection process must be completed, documented and signed by the purchaser;
- The Product must have undergone proper registration by an authorized Distributor/Dealer;
- The Product must be purchased in the country (or in the case of the EEA, union of countries) in which the purchaser resides;
- Routine maintenance outlined in the Operator’s Guide must be timely performed in order to maintain warranty coverage. BRP reserves the right to make warranty coverage contingent upon proof of proper maintenance.

BRP will not honor this limited warranty to any private use owner or commercial use owner if one of the preceding conditions has not been met. Such limitations are necessary in order to allow BRP to preserve both the safety of its products, and also that of its consumers and the general public.

---

## **7) WHAT TO DO TO OBTAIN WARRANTY COVERAGE**

The customer must cease using the Product upon the appearance of an anomaly, notify a servicing BRP Distributor/Dealer within two (2) months of the appearance of the anomaly and provide the Distributor/Dealer with reasonable access to the Product and reasonable opportunity to repair it.

The notification period is subject to the applicable national or local legislation in customer's country.

The customer must also present to the Distributor/Dealer, proof of purchase of the Product and must sign the repair/work order prior to starting the repair in order to validate the warranty repair.

All parts replaced under this limited warranty become the property of BRP.

## 8) WHAT BRP WILL DO

To the extent permitted by law, BRP's obligations under this warranty are limited to, at its sole discretion, repairing or replacing parts found defective under normal use, maintenance and service without charge for parts and labor, at any authorized BRP Distributor/Dealer during the warranty coverage period under the conditions described herein. No claim of breach of warranty shall be cause for cancellation or rescission of the sale of the Product to the owner. You may have other legal rights which may vary from country to country.

In the event that service is required outside of the country of original sale, or for EEA residents, if service is required outside of the EEA, the owner will bear responsibility for any additional charges due to local practices and conditions, such as, but not limited to, freight, insurance, taxes, license fees, import duties, and any and all other financial charges, including those levied by governments, states, territories and their respective agencies.

BRP reserves the right to improve or modify products from time to time without assuming any obligation to modify products previously manufactured.

## 9) TRANSFER

If the ownership of a Product is transferred during the warranty coverage period, this limited warranty, subject to its terms and conditions, shall also be transferred and be valid for the remaining coverage period provided BRP or an authorized Product Distributor/Dealer receives a proof that the former owner agreed to the transfer of ownership, in addition to the coordinates of the new owner.

---

## 10) CONSUMER ASSISTANCE

In the event of a controversy or a dispute in connection with this limited warranty, BRP suggests that you try to resolve the issue at the dealership level. We recommend discussing the issue with the authorized Distributor/Dealer's service manager or owner.

If the matter still remains unresolved, contact BRP by filling out the customer contact form at **www.brp.com** or contact BRP by mail at one of the addresses listed under the [Contact Us, page 10-7](#) section of this guide.

## **10** CUSTOMER INFORMATION - TABLE OF CONTENTS

---

<b>DATA PRIVACY INFORMATION</b> .....	<b>10-2</b>
<b>CONTACT US</b> .....	<b>10-7</b>
<b>CHANGE OF ADDRESS/ OWNERSHIP</b> .....	<b>10-9</b>

---

## **DATA PRIVACY INFORMATION**

### **DATA PRIVACY INFORMATION**

Bombardier Recreational Products inc., its affiliates and subsidiaries (“BRP”) is committed to protecting your privacy. This notice is to inform you about how we collect, use and disclose your personal information in the course of managing our relationship with you. More details can be found by visiting BRP’s Privacy Policy at: <https://brp.com/en/privacy-policy.html> or by scanning the QR Code below.

Please be assured that we have appropriate measures in place to ensure that your personal information is kept secured and protected against unauthorized access, use or disclosure.

The personal information we hold about you is collected either directly from you or through our authorized dealers and third parties (e.g. with whom we offer services or engage in joint-marketing activities), and includes:

- Contact, Demographic & Registration Information (e.g., name, full address, phone number, email, ownership history, language of communication)
- Transactional Information (e.g., information necessary to handle returns, payment information when you purchase our products or services through our websites or mobile applications and other issues related to your purchase of BRP products).
- Vehicle Information (e.g., serial number, vehicle identification number, mileage, purchase and delivery date, unit usage, vehicle location and movements)
- Your comments, opinions and reviews of our products and services
- Information collected automatically when you navigate on BRP or dealer's websites or mobile apps collected via cookies and similar technologies (e.g., IP address, type of device, operating system, browser type, webpages you view).

We may also receive information about you from social media platforms when you interact with us on those platforms.

---

We use your personal information for various reasons, mostly to:

- Manage your order of BRP products and services (e.g., to complete or deliver your order, or service your BRP product)
- Provide customer support, assistance, and after-sales (e.g., complete or follow up with you about your order or maintenance, help with any delivery issues, handle returns, and other issues related to your purchase of BRP products)
- Manage your BRP products registration, warranty, security, safety recall, and dispute resolution (e.g. to offer warranty and after-sales service to you, protect your security and safety, perform safety recalls)
- Send you commercial communications about our products and services (e.g. inform you about new BRP products, services or features; share news about contests, promotions, and events or discuss products or services offered by BRP that may be of interest to you)
- Offer you personalized experience, content, or offers and services based on profiling or geolocation technologies (e.g. to notify you when your vehicle may need servicing, to locate your nearest dealership)
- Perform data analytics and statistics data that no longer identifies you personally, for business intelligence and have insights on how to improve our products and services
- Prevent, detect, and control fraud and any unauthorized or illegal activities (e.g., to detect and control fraud in relation to BRP products or services purchase; manage illegal or unauthorized activities and cyberthreats)



- Comply with applicable laws and regulations.

Your personal information may be disclosed to the following: BRP, BRP's authorized dealerships, distributors, service providers, advertising & market research partners and other authorized third parties.

Depending on the circumstances, your personal information may be communicated outside the region where you reside. Your personal information is retained only for as long as necessary for the purpose for which we obtained it and according to our retention policies.

To exercise your data privacy rights (e.g. right of access, right of rectification), to withdraw your consent in order to be removed from the address list for marketing purposes or for the satisfaction survey or for general data privacy questions, please contact BRP's Data Protection Officer at or by mail at [privacyofficer@brp.com](mailto:privacyofficer@brp.com) or by mail at: BRP Legal Service, 726 St-Joseph, Valcourt, Quebec, Canada, J0E 2L0.

**When BRP processes your personal information, they do so in compliance with its Privacy Policy available at: <https://www.brp.com/en/privacy-policy.html> or by using the following QR Code.**



## CONTACT US

www.brp.com

### *Asia Pacific*

#### **BRP Asia**

107D and 107E, 17/F, Tower  
1,  
Grand Century Place,  
Mongkok,  
Kowloon, Hong Kong

#### **Australia**

Level 26  
477 Pitt Street  
Sydney, NSW 2020

#### **Japan**

21F Shinagawa East One  
Tower  
2-16-1 Konan, Minato-ku-ku,  
Tokyo 108-0075

#### **China**

上海市徐汇区衡山路10号6号  
楼301  
Rm 301, Building 6,  
No.10 Heng Shan Rd,  
Shanghai, China

### *Europe, Middle East and Africa*

#### **Belgium**

Oktrooiplein 1  
9000 Gent

#### **Czech Republic**

Stefanikova 43a  
Prague 5  
150 00

#### **Germany**

Alte Papierfabrik 16  
D-40699 Erkrath

#### **Finland**

Isoaavantie 7  
PL 8040  
96320 Rovaniemi

#### **France**

Arteparc Bâtiment B  
Route de la côte d'Azur,  
13 590 Meyreuil

#### **Norway**

Ingvald Ystgaards veg 15  
N-7484 Trondheim

#### **Sweden**

Spinnvägen 15  
903 61 Umeå

#### **Switzerland**

Avenue d'Ouchy 4-6  
1006 Lausanne

---

## ***Latin America***

### **Brazil**

Rua Odila Maia Rocha Brito, 25  
Edifício Beaumont, andar 1 ao 5  
CEP 13092-110 Campinas -SP

### **Mexico**

Av. Ferrocarril 202  
Parque Industrial Querétaro  
Santo Rosa Jauregui, Querétaro  
C.P. 76220

## ***North America***

### **Canada**

3200A, rue King Ouest,  
Suite 300  
Sherbrooke (Québec) J1L 1C9

### **United States of America**

10101 Science Drive  
Sturtevant, Wisconsin  
53177

### CHANGE OF ADDRESS/OWNERSHIP

If your address has changed or if you are the new owner of the vehicle, be sure to notify BRP by either:

- Notifying an authorized Can-Am dealer.
- **North America only:** calling 1-888-272-9222.
- Mailing one of the change of address cards on the following pages to one of the BRP addresses indicated in the [Contact Us, page 10-7](#) section of this guide.

In case of change of ownership, please include a proof that the former owner agreed to the transfer.


Notifying BRP, even after the expiration of the limited warranty, is very important as it enables BRP to reach the vehicle owner if necessary, like when safety recalls are initiated. It is the owner's responsibility to notify BRP.

**STOLEN UNITS:** If your personal vehicle is stolen, you should notify BRP or an authorized Can-Am dealer. We will ask you to provide your name, address, phone number, the vehicle identification number and the date it was stolen.

---

This page is  
intentionally blank

# CUSTOMER INFORMATION

CHANGE OF ADDRESS  CHANGE OF OWNERSHIP  

VEHICLE IDENTIFICATION NUMBER

Model Number	Vehicle Identification Number (V.I.N.)
--------------	--

OLD ADDRESS OR PREVIOUS OWNER: \_\_\_\_\_ NAME \_\_\_\_\_

NO. \_\_\_\_\_ STREET \_\_\_\_\_ APT \_\_\_\_\_

CITY \_\_\_\_\_ STATE/PROVINCE \_\_\_\_\_ ZIP/POSTAL CODE \_\_\_\_\_

COUNTRY \_\_\_\_\_ TELEPHONE \_\_\_\_\_

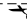
NEW ADDRESS OR NEW OWNER: \_\_\_\_\_ NAME \_\_\_\_\_

NO. \_\_\_\_\_ STREET \_\_\_\_\_ APT \_\_\_\_\_

CITY \_\_\_\_\_ STATE/PROVINCE \_\_\_\_\_ ZIP/POSTAL CODE \_\_\_\_\_

COUNTRY \_\_\_\_\_ TELEPHONE \_\_\_\_\_

E-MAIL ADDRESS \_\_\_\_\_

CHANGE OF ADDRESS  CHANGE OF OWNERSHIP  

VEHICLE IDENTIFICATION NUMBER

Model Number	Vehicle Identification Number (V.I.N.)
--------------	--

OLD ADDRESS OR PREVIOUS OWNER: \_\_\_\_\_ NAME \_\_\_\_\_

NO. \_\_\_\_\_ STREET \_\_\_\_\_ APT \_\_\_\_\_

CITY \_\_\_\_\_ STATE/PROVINCE \_\_\_\_\_ ZIP/POSTAL CODE \_\_\_\_\_

COUNTRY \_\_\_\_\_ TELEPHONE \_\_\_\_\_

NEW ADDRESS OR NEW OWNER: \_\_\_\_\_ NAME \_\_\_\_\_

NO. \_\_\_\_\_ STREET \_\_\_\_\_ APT \_\_\_\_\_

CITY \_\_\_\_\_ STATE/PROVINCE \_\_\_\_\_ ZIP/POSTAL CODE \_\_\_\_\_

COUNTRY \_\_\_\_\_ TELEPHONE \_\_\_\_\_


E-MAIL ADDRESS \_\_\_\_\_

---

This page is  
intentionally blank



# CUSTOMER INFORMATION

CHANGE OF ADDRESS  CHANGE OF OWNERSHIP  

VEHICLE IDENTIFICATION NUMBER

Model Number	Vehicle Identification Number (V.I.N.)
--------------	--

OLD ADDRESS OR PREVIOUS OWNER: \_\_\_\_\_ NAME \_\_\_\_\_

NO. \_\_\_\_\_ STREET \_\_\_\_\_ APT \_\_\_\_\_

CITY \_\_\_\_\_ STATE/PROVINCE \_\_\_\_\_ ZIP/POSTAL CODE \_\_\_\_\_

COUNTRY \_\_\_\_\_ TELEPHONE \_\_\_\_\_

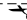
NEW ADDRESS OR NEW OWNER: \_\_\_\_\_ NAME \_\_\_\_\_

NO. \_\_\_\_\_ STREET \_\_\_\_\_ APT \_\_\_\_\_

CITY \_\_\_\_\_ STATE/PROVINCE \_\_\_\_\_ ZIP/POSTAL CODE \_\_\_\_\_

COUNTRY \_\_\_\_\_ TELEPHONE \_\_\_\_\_

E-MAIL ADDRESS \_\_\_\_\_

CHANGE OF ADDRESS  CHANGE OF OWNERSHIP  

VEHICLE IDENTIFICATION NUMBER

Model Number	Vehicle Identification Number (V.I.N.)
--------------	--

OLD ADDRESS OR PREVIOUS OWNER: \_\_\_\_\_ NAME \_\_\_\_\_

NO. \_\_\_\_\_ STREET \_\_\_\_\_ APT \_\_\_\_\_

CITY \_\_\_\_\_ STATE/PROVINCE \_\_\_\_\_ ZIP/POSTAL CODE \_\_\_\_\_

COUNTRY \_\_\_\_\_ TELEPHONE \_\_\_\_\_

NEW ADDRESS OR NEW OWNER: \_\_\_\_\_ NAME \_\_\_\_\_

NO. \_\_\_\_\_ STREET \_\_\_\_\_ APT \_\_\_\_\_

CITY \_\_\_\_\_ STATE/PROVINCE \_\_\_\_\_ ZIP/POSTAL CODE \_\_\_\_\_


COUNTRY \_\_\_\_\_ TELEPHONE \_\_\_\_\_

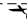
E-MAIL ADDRESS \_\_\_\_\_

---

This page is  
intentionally blank

# CUSTOMER INFORMATION

CHANGE OF ADDRESS <input type="checkbox"/>		CHANGE OF OWNERSHIP <input type="checkbox"/>		
VEHICLE IDENTIFICATION NUMBER				
Model Number		Vehicle Identification Number (V.I.N.)		
OLD ADDRESS OR PREVIOUS OWNER:				
NAME				
NO.		STREET		APT
CITY		STATE/PROVINCE		ZIP/POSTAL CODE
COUNTRY			TELEPHONE	
NEW ADDRESS OR NEW OWNER:				
NAME				
NO.		STREET		APT
CITY		STATE/PROVINCE		ZIP/POSTAL CODE
COUNTRY			TELEPHONE	
E-MAIL ADDRESS				

CHANGE OF ADDRESS <input type="checkbox"/>		CHANGE OF OWNERSHIP <input type="checkbox"/>		
VEHICLE IDENTIFICATION NUMBER				
Model Number		Vehicle Identification Number (V.I.N.)		
OLD ADDRESS OR PREVIOUS OWNER:				
NAME				
NO.		STREET		APT
CITY		STATE/PROVINCE		ZIP/POSTAL CODE
COUNTRY			TELEPHONE	
NEW ADDRESS OR NEW OWNER:				
NAME				
NO.		STREET		APT
CITY		STATE/PROVINCE		ZIP/POSTAL CODE
COUNTRY			TELEPHONE	
E-MAIL ADDRESS				

---

This page is  
intentionally blank

















---

Model No. \_\_\_\_\_

**VEHICLE**  
IDENTIFICATION NUMBER (V.I.N.) \_\_\_\_\_

**HIGH-VOLTAGE BATTERY**  
SERIAL NUMBER \_\_\_\_\_

**Owner:** \_\_\_\_\_  
NAME

\_\_\_\_\_  
No. STREET APT

\_\_\_\_\_  
CITY STATE/PROVINCE ZIP/POSTAL CODE

**Purchase Date** \_\_\_\_\_  
YEAR MONTH DAY

**Warranty Expiry Date** \_\_\_\_\_  
YEAR MONTH DAY

To be completed by the dealer at the time of the sale.

DEALER IMPRINT AREA

In Canada, products are distributed and serviced by Bombardier Recreational Products Inc. (BRP).

In the USA, products are distributed and serviced by BRP US Inc.

In the European Economic Area (which is comprised of the member states of the European Union plus the United Kingdom, Norway, Iceland and Liechtenstein), the Commonwealth of the Independent States (including Ukraine and Turkmenistan) and Turkey, products are distributed and serviced by BRP European Distribution S.A. and other affiliates or subsidiaries of BRP.

For all other countries, products are distributed and serviced by Bombardier Recreational Products Inc. (BRP) or its affiliates.

™® Trademarks of BRP or its affiliates.

This is a non-exhaustive list of trademarks that are the property of Bombardier Recreational Products Inc. or its affiliates.

Trademarks may not be registered in every jurisdictions.

Can-Am®

D.E.S.S.™

DPS®

LinQ®

Outlander™

ROTAX E-POWER™

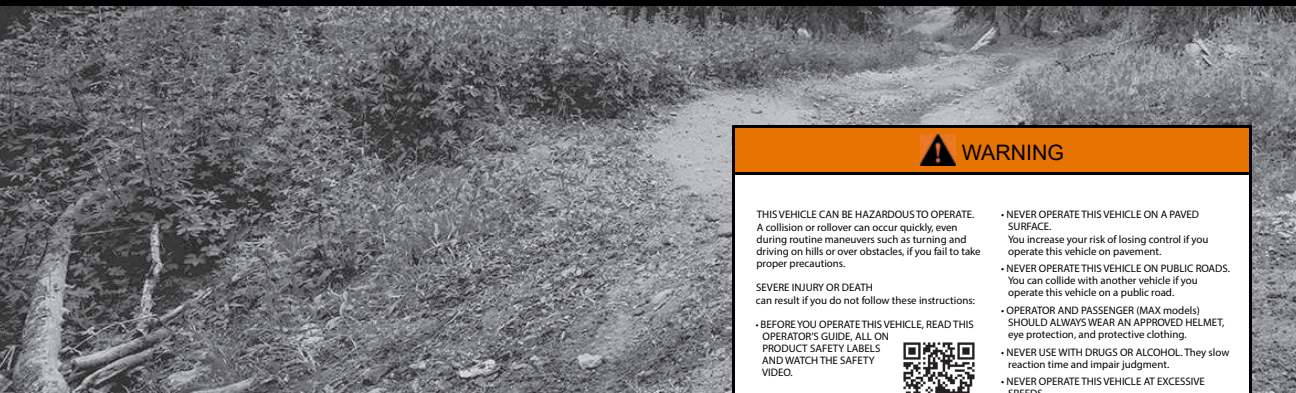
XPS®

All rights reserved. No parts of this Manual may be reproduced in any form without the prior written permission of Bombardier Recreational Products Inc.

©2025 BOMBARDIER RECREATIONAL PRODUCTS INC.

*[www.brp.com](http://www.brp.com)*

---



## WARNING

THIS VEHICLE CAN BE HAZARDOUS TO OPERATE. A collision or rollover can occur quickly, even during routine maneuvers such as turning and driving on hills or over obstacles, if you fail to take proper precautions.

SEVERE INJURY OR DEATH can result if you do not follow these instructions:

- BEFORE YOU OPERATE THIS VEHICLE, READ THIS OPERATOR'S GUIDE, ALL ON PRODUCT SAFETY LABELS AND WATCH THE SAFETY VIDEO.



- NEVER OPERATE THIS VEHICLE WITHOUT PROPER INSTRUCTIONS. Complete a certified training course.
- DO NOT EXCEED VEHICLE SEATING CAPACITY
- FOR 1UP MODELS, NEVER CARRY A PASSENGER. You increase your risk of losing control if you carry a passenger.

- NEVER OPERATE THIS VEHICLE ON A PAVED SURFACE. You increase your risk of losing control if you operate this vehicle on pavement.
- NEVER OPERATE THIS VEHICLE ON PUBLIC ROADS. You can collide with another vehicle if you operate this vehicle on a public road.
- OPERATOR AND PASSENGER (MAX models) SHOULD ALWAYS WEAR AN APPROVED HELMET, eye protection, and protective clothing.
- NEVER USE WITH DRUGS OR ALCOHOL. They slow reaction time and impair judgment.
- NEVER OPERATE THIS VEHICLE AT EXCESSIVE SPEEDS. You increase your risk of losing control if you operate this vehicle at speeds too fast for the terrain, visibility conditions, or your experience.
- NEVER ATTEMPT WHEELIES, JUMPS, OR OTHER STUNTS.

219002485

